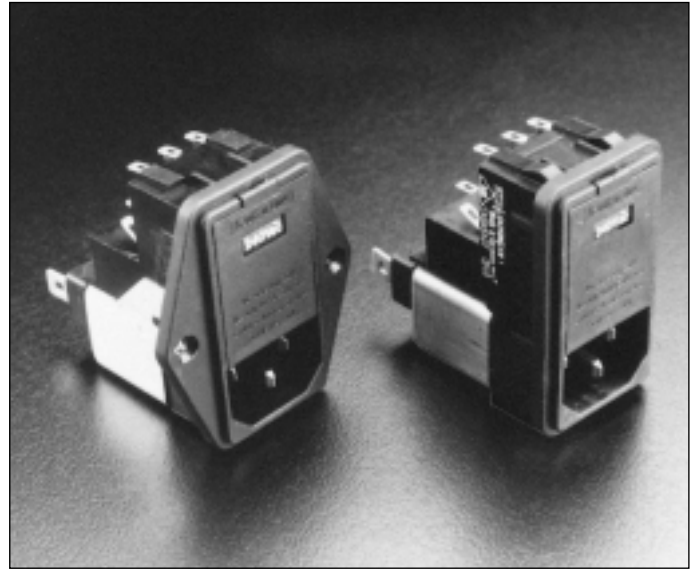
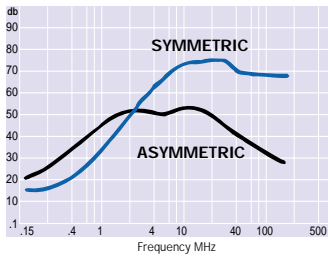


2 & 6 AMP



SF 2020	Rated Current A	Leakage Current @ 250V 50Hz	Inductance mH	Connections Input	Connections Output	Number of Fuses	Mounting	Approvals
SF 2020-2/*/t	2	0.2mA	2.0	IEC 320	6.3 x 0.8 Faston	1	Snap-in	■ ■ ■
SF 2022-2/*/t	2	0.2mA	2.0	IEC 320	6.3 x 0.8 Faston	2	Snap-in	■ ■ ■
SF 2024-2/*/t	2	0.2mA	2.0	IEC 320	6.3 x 0.8 Faston	1	Screw Mount	■ ■ ■
SF 2026-2/*/t	2	0.2mA	2.0	IEC 320	6.3 x 0.8 Faston	2	Screw Mount	■ ■ ■
SF 2020-6/*/t	6	0.2mA	0.5	IEC 320	6.3 x 0.8 Faston	1	Snap-in	■ ■ ■
SF 2022-6/*/t	6	0.2mA	0.5	IEC 320	6.3 x 0.8 Faston	2	Snap-in	■ ■ ■
SF 2024-6/*/t	6	0.2mA	0.5	IEC 320	6.3 x 0.8 Faston	1	Screw Mount	■ ■ ■
SF 2026-6/*/t	6	0.2mA	0.5	IEC 320	6.3 x 0.8 Faston	2	Screw Mount	■ ■ ■

Temperature Range: -25°C to +85°C
Operating Voltage: 250Vac
Operating Frequency: 0 to 400Hz
Test Voltage: L+N to ground, 2700Vdc, 2 seconds

Approved
 Submitted for Approval

IEC 950 (EN 60950) Applications
 Twin fused versions only

PART NUMBER DESIGNATION

Mounting Style/Fuse Variants

SF 2020 Snap-in with one fuse
 SF 2022 Snap-in with two fuses
 SF 2024 Screw Mount with one fuse
 SF 2026 Screw Mount with two fuses

* - Switching Arrangement

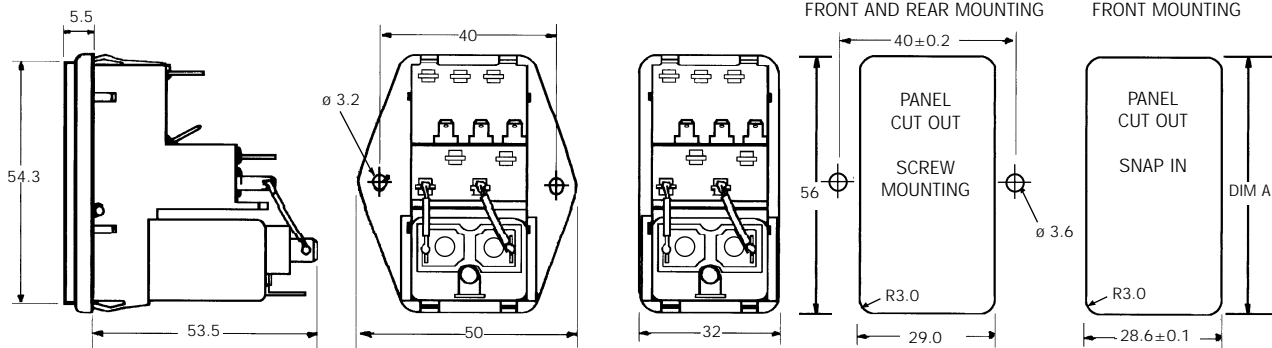
/1 For tapped transformer 110, 220, 240V
 /2 For separate winding tapped transformer Series/parallel 100, 120, 220, 240V
 /3 For separate winding transformer Series/parallel 115, 230V

† - Fuse Size

/*/1 5mm dia x 20mm
 /*/2 6.3mm dia x 32mm
 (0.25" dia x 1.25")

DIMENSIONS

All dimensions are nominal and in mm



Panel Thickness	Dim A
0.8 to 2.0	56.0±0.1
2.1 to 3.2	56.3±0.1

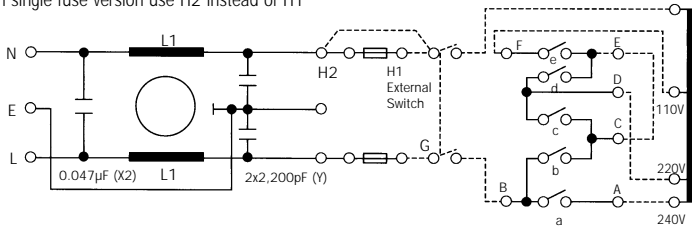
Continued on next page

Continued from previous page

CIRCUIT DIAGRAMS

Series/Series Connection of Tapped Transformer

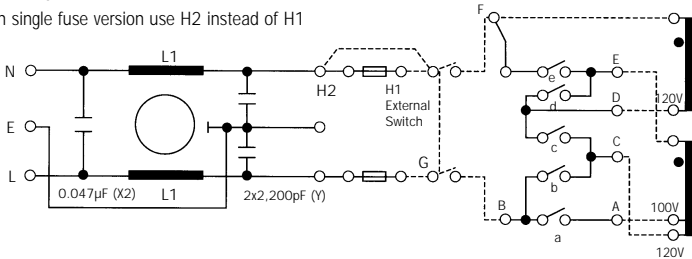
In single fuse version use H2 instead of H1



Voltage	Contacts
110V	b,e
220V	b,c
240V	a

Series/Parallel Connection of Separate Winding Transformer with One Tap

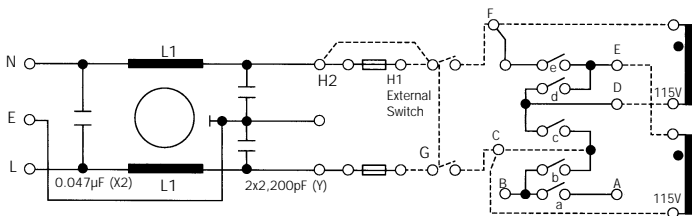
In single fuse version use H2 instead of H1



Voltage	Contacts
100V	a,c,e
120V	b,c,e
220V	a,d
240V	b,d

Series/Parallel Connection of Separate Winding Transformer

In single fuse version use H2 instead of H1



Voltage	Contacts
115V	a,c,e
115V	b,c,e
230V	a,d
230V	b,d

Note

The circuits are shown with an external (2 pole - 2 way) on/off switch. For use without external switch, make the following connections:

- Circuit 1 H1 (or H2) to transformer neutral
G to B
- Circuit 2 H1 (or H2) to F
G to B
- Circuit 3 H1 (or H2) to F
G to C