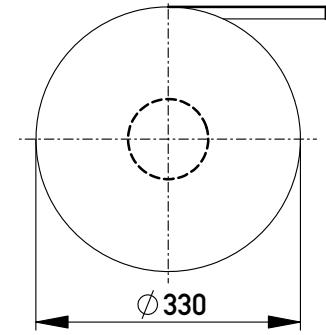
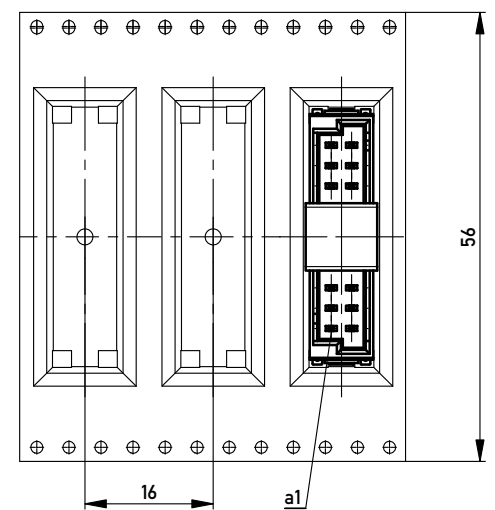


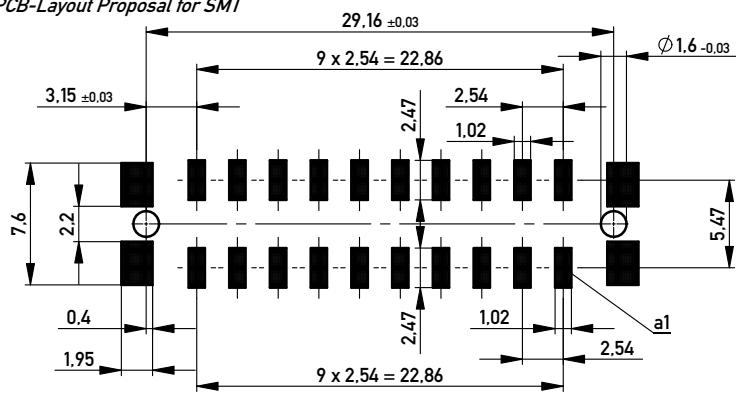
Verpackt in Gurtverpackung  
Tape on Reel Packaging  
Verpackungseinheit: 320 Stück  
Packaging unit: 320 pcs



Abspulrichtung - Reel off Direction



Leiterplatten-Layout Vorschlag für SMT  
PCB-Layout Proposal for SMT



Anforderungsstufe 1  
Performance Level 1

Kontaktbereich vergoldet  
Mating Area gold plating

Anschlussbereich verzinkt 4-6 µm  
Terminal Area 4-6 µm tin plating

Koplanarität der Anschlüsse ≤ 0.1 mm  
Coplanarity Area of Termination ≤ 0.1 mm

464689		rot red	5.4	6.6	0.6	11.4	
464688		grün green	3.6	8.4	5.4	6.6	
464687		blau blue	1.8	10.2	3.6	8.4	
464686		schwarz black	0.6	11.4	1.8	10.2	
Ident-Nr. part-no.	Codierung coding	Farbe color	A	B	C	D	Bemerkung note

für höhere Spannungsfestigkeit  
for higher voltage proof

Information:		Tolerances		Scale	3:1
All rights reserved. Only for Information. To ensure that this is the latest version of this drawing, please contact one of the ERNI companies before using.		All Dimensions in mm		Designation	
Subject to modification without prior notice. Drawing will not be updated.		www.ERNI.com		M 2.54 DRC-Q, 20-polig	
ERNI		www.ERNI.com		324221	
b	27.11.2013			I	
Index	Date			A3	
				Class	DRCQ

Copyright by ERNI GmbH  
Proprietary notice pursuant to ISO 9006 to be observed.