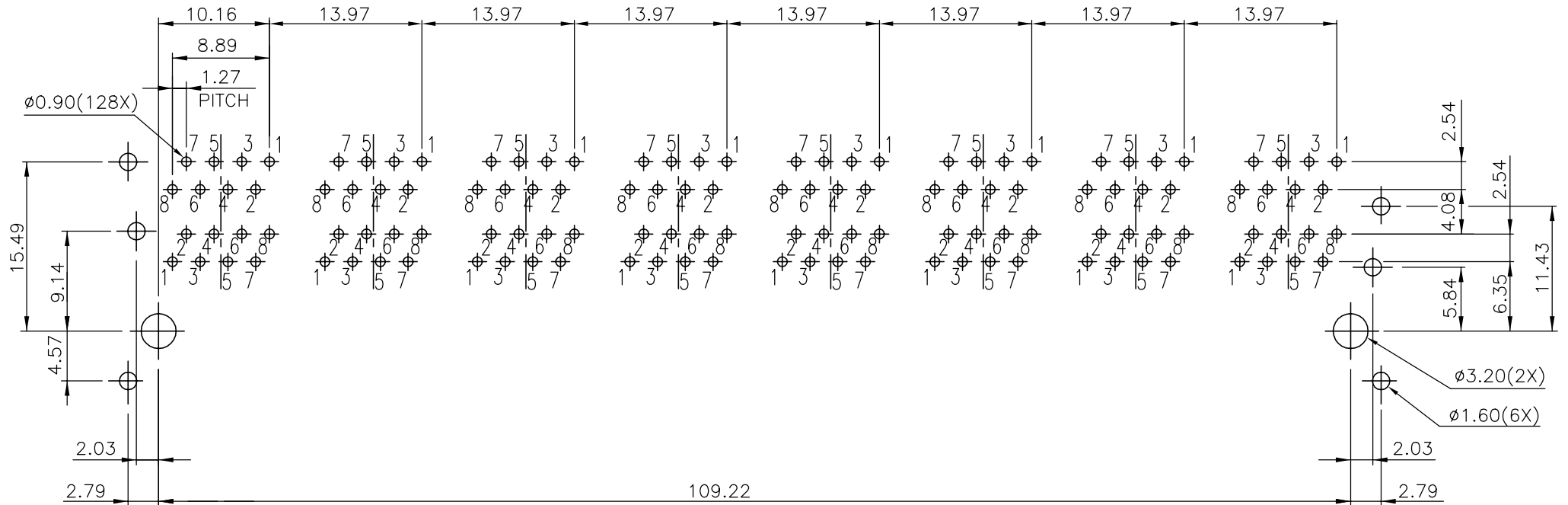
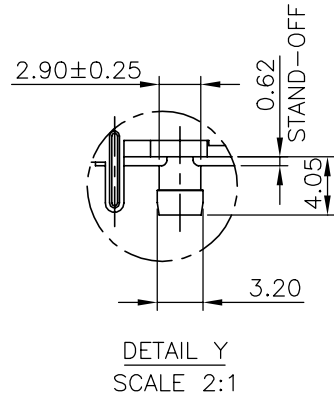
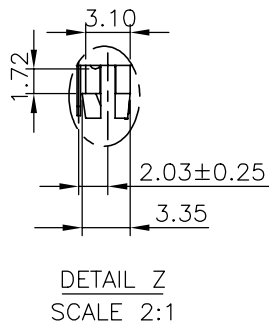


mat'l. code		surface ASME Y14.5		tolerance ASME Y14.5		projection MM [INCH]		product family GANGED MJACK		
ltr	ecn no	dr	date	tolerances unless otherwise specified		scale		title CAT 3 MULTIPORT STACKED 2x8 WITH SHIELD, W/O LED		
A		WL	11/04/11	angles	X.X±0.25			dwg no 10118074		
				X*1°	X.XX±0.13			sheet 1 of 3 size A4		
				dr	WENDY CHEN	05/03/11			type CUSTOMER Drawing	
				enr	WENDY CHEN	05/03/11				
				chr	WENDY CHEN	05/03/11				
				appd	GARY HSIEH	05/03/11				
sheet index	revision sheet	A	A	A						
		1	2	3						



RECOMMENDED PCB LAYOUT
 RECOMMENDED PCB THICKNESS: 1.6mm
 TOLERANCE: ± 0.05 mm (TOP VIEW)



mat'l. code		surface ASME Y14.5 ✓	tolerance ASME Y14.5	projection 	product family GANGED MJACK	
ltr	ecn no	dr	date	tolerances unless otherwise specified		title CAT 3 MULTIPORT STACKED 2x8 WITH SHIELD, W/O LED
A				angles $X.X \pm 0.25$	scale MM [INCH]	
				$X.XX \pm 0.13$		dwg no 10118074 sheet 2 of 3 size A4
				$X.XXX \pm 0.05$		
		dr	WENDY CHEN	05/03/11		type CUSTOMER Drawing
		enr	WENDY CHEN	05/03/11		
		chr	WENDY CHEN	05/03/11		
		appd	GARY HSIEH	05/03/11		
sheet index	revision sheet					

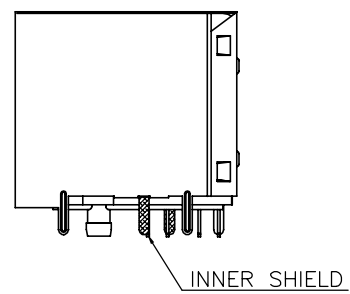
NOTE:

1. MATERIAL:
HOUSING & INNER HOUSING & COVER:
HIGH TEMPERATURE THERMOPLASTIC, UL94V-0, COLOR: BLACK.
CONTACTS: COPPER ALLOY.
SHIELD: COPPER ALLOY.
INNER SHIELD: COPPER ALLOY.
2. FINISH:
CONTACTS: 50u" MIN. NICKEL UNDER PLATED OVER ALL.
SELECTIVE GOLD PLATED ON CONTACT AREA,
1u" GOLD PLATED ON SOLDER TAIL.
SHIELD & INNER SHIELD: 20u" MIN. NICKEL OVER ALL.
3. LASER MARK FCI LOGO ON THE TOP OF SHIELD.
4. "DATE CODE" DESCRIPTION:

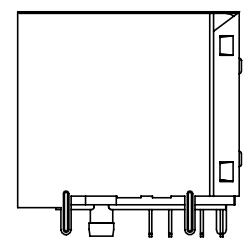
XX	XX	
		WEEK
		YEAR (EX. : 10--2010)
5. PRODUCT PERFORMANCE PER SPEC. : GS-12-0990.
6. PACKING SPEC. : GS-14-2170.
7. THIS PRODUCT MEETS THE EUROPEAN UNION DIRECTIVE AS DESCRIBED IN GS-22-008.
8. THE HOUSING WILL WITHSTAND EXPOSURE TO 260°C PEAK TEMPERATURE FOR 5 SECONDS IN A WAVE SOLDER APPLICATION WITH A CIRCUIT BOARD.

9. PART NUMBER DESCRIPTION:

- 10118074-X X X X X X X LF
- LEAD FREE
 - 0 : RESERVED (NOT USED)
 - PACKAGING
 - 1 : TRAY
 - OPTIONAL BACK SHIELD TAB
 - 0 : WITHOUT BACK SHIELD TAB
 - OPTIONAL RIGHT / LEFT SHIELD TAB
 - A : SHIELD TAB WITH INNER SHIELD
 - B : SHIELD TAB WITHOUT INNER SHIELD
 - OPTIONAL PANEL GROUND
 - 0 : WITHOUT PANEL GROUND
 - LED COLOR
 - 0 : WITHOUT LED
 - CONTACT AREA PLATING
 - 1 : 15u" GOLD PLATING
 - 2 : 30u" GOLD PLATING
 - 5 : 1u" GOLD FLASH PLATING



10118074-XXXXXXLF
(WITH INNER SHIELD)



10118074-XXXBXXLF
(WITHOUT INNER SHIELD)

mat'l. code		surface ASME Y14.5 ✓	tolerance ASME Y14.5	projection ⊕	product family GANGED MJACK
ltr	ecn no	dr	date	tolerances unless otherwise specified	title CAT 3 MULTIPORT STACKED 2x8 WITH SHIELD, W/O LED
A				angles ⊕ X.X±0.25 ⊖ X.XX±0.13 X*±1"	
				scale MM [INCH]	dwg no 10118074 sheet 3 of 3 size A4
				dr WENDY CHEN 05/03/11 enr WENDY CHEN 05/03/11 chr WENDY CHEN 05/03/11 appd GARY HSIEH 05/03/11	
sheet index	revision sheet				type CUSTOMER Drawing