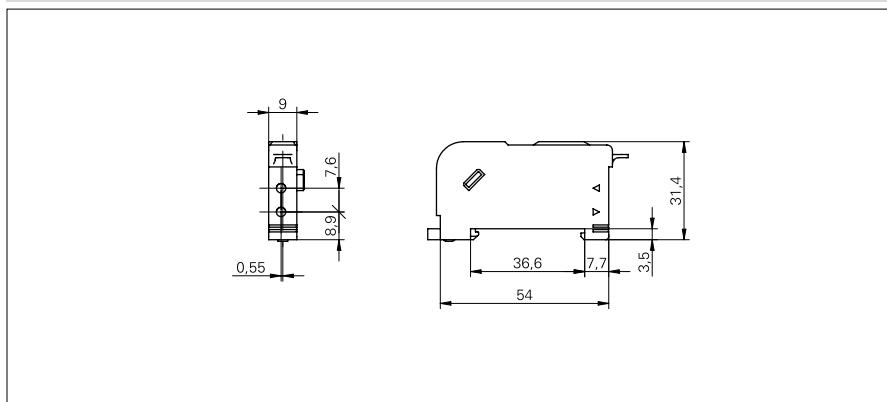


FVDK 09

sample drawing



electrical data

| | |
|--------------------------|---------------------------------|
| current consumption max. | 35 mA |
| output function | light / dark operate switchable |

mechanical data

| | |
|------------------|-------------------|
| width / diameter | 9 mm |
| height / length | 31,4 mm |
| depth | 54 mm |
| type | rectangular |
| housing material | polycarbonate/ABS |

ambient conditions

| | |
|-----------------------|----------------|
| operating temperature | -20 ... +40 °C |
| protection class | IP 40 |

order reference

FVDK 09P00Y0

sample picture

