

TC94A58FAG

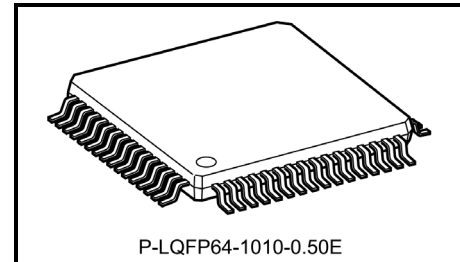
Single-Chip CD Processor with Built-in Controller

The TC94A58FAG is a single-chip CD processor for digital servo, which incorporates a 4-bit microcontroller.

The controller features an LCD driver, 4-channel 6-bit AD converter, 1 port 2-channel 2/3-line or UART serial interface module, a buzzer, 20-bit general-purpose counter function, interrupt function, and 8-bit timer/counter. The CPU can select one of four operating clocks (16.9344-MHz, 75-kHz or 32.768-kHz crystal oscillator and external clock input), facilitating interface with the CD processor.

The CD processor incorporates sync separation protection and interpolation, EFM demodulator, error correction, digital equalizer for servo, and servo controller. The CD processor also incorporates a 1-bit DA converter. In combination with the TA2157F/FG/FN/FNG digital servo head amplifier, the TC94A58FAG can very simply configure an adjustment-free CD player.

Thus, the IC is suitable for CD systems for automobiles and radio-cassette players.



Weight: 0.32 g (typ.)

Features

- Single-chip CD processor with on-chip CMOS LCD driver and 4-bit microcontroller
- Operating supply voltage:
 - CD in operation: $V_{DD} = 3.0$ to 3.6 V (3.3 V typ.)
 - CD stopped: $V_{DD} = 1.8$ to 3.6 V (only CPU in operation)
- Supply current:
 - CD in operation: $I_{DD} = 30$ mA (typ.)
 - CD stopped: $I_{DD} = 1.5$ mA (CD standby mode, with 16.9344-MHz crystal oscillator, CPU in operation)
 - CD stopped: $I_{DD} = 50$ μ A (CD standby mode, with 75-kHz crystal oscillator, CPU in operation)
- Operating temperature range: $T_a = -40$ to 85°C
- Package: LQFP (0.5-mm pitch, 1.4 mm thick)
- E²PROM: TC94AE29FAG

4-bit Microcontroller

- Program memory (ROM): 16 bits × 16 Ksteps
- Data memory (RAM): 4 bits × 512 words
- Instruction execution time: 1.42 μs, 40 μs, 91.6 μs, TOSC × 3 (Every instruction consists of a single word.)
- Crystal oscillator frequency: 16.9344 MHz, 75 kHz, 32.768 kHz, external clock input
- Stack levels: 16
- AD converter: 6 bits × 4 channels
- LCD driver: 1/4 duty, 1/2 or 1/3 bias method, 64 segments (max)
- I/O ports: CMOS I/O ports: 26 (max)
N-channel open-drain I/O ports (for up to 5.5 V): 3 (max)
- Timer/counter: 8 bits (timer mode, pulse width detector and measure function)
- General-purpose counter: 20 bits, 0.1 MHz to 20 MHz, Vin = 0.2 Vpp (min), input amplifier incorporated
- Serial interface module: 1 port 2 channel supporting 2/3-line method or UART (two input channels)
- Four buzzer types: 0.75 kHz, 1 kHz, 1.5 kHz, and 3 kHz
- Four modes: continuous, single-shot, 10 Hz intermittent, and 10 Hz intermittent at 1 Hz intervals
- Interrupts: 1 external, 3 internal (CD sub-sync, serial interface, 8-bit timer)
- Back-up mode: Four types: CD standby (CD processor stopped)
Clock stop (oscillator stopped)
Hardware wait (only crystal oscillator in operation)
Software wait (CPU in intermittent operation)
- Reset function: Power-on reset circuit, supply voltage detector (detection voltage = 1.5 V typ.)
- Multiplexed CD processor pins:
Each of the following pins can be switched by program to a CD processor-dedicated pin:
DSP output: BCK, LRCK, AOUT, DOUT, IPF, SBOK, CLCK, DATA, and SFSY pins.
DAC input: DACin, BCKin, and LRCKin pins.
Note: BCKin and LRCKin are switched as a pair. A CD command is used to specify DAC input settings.

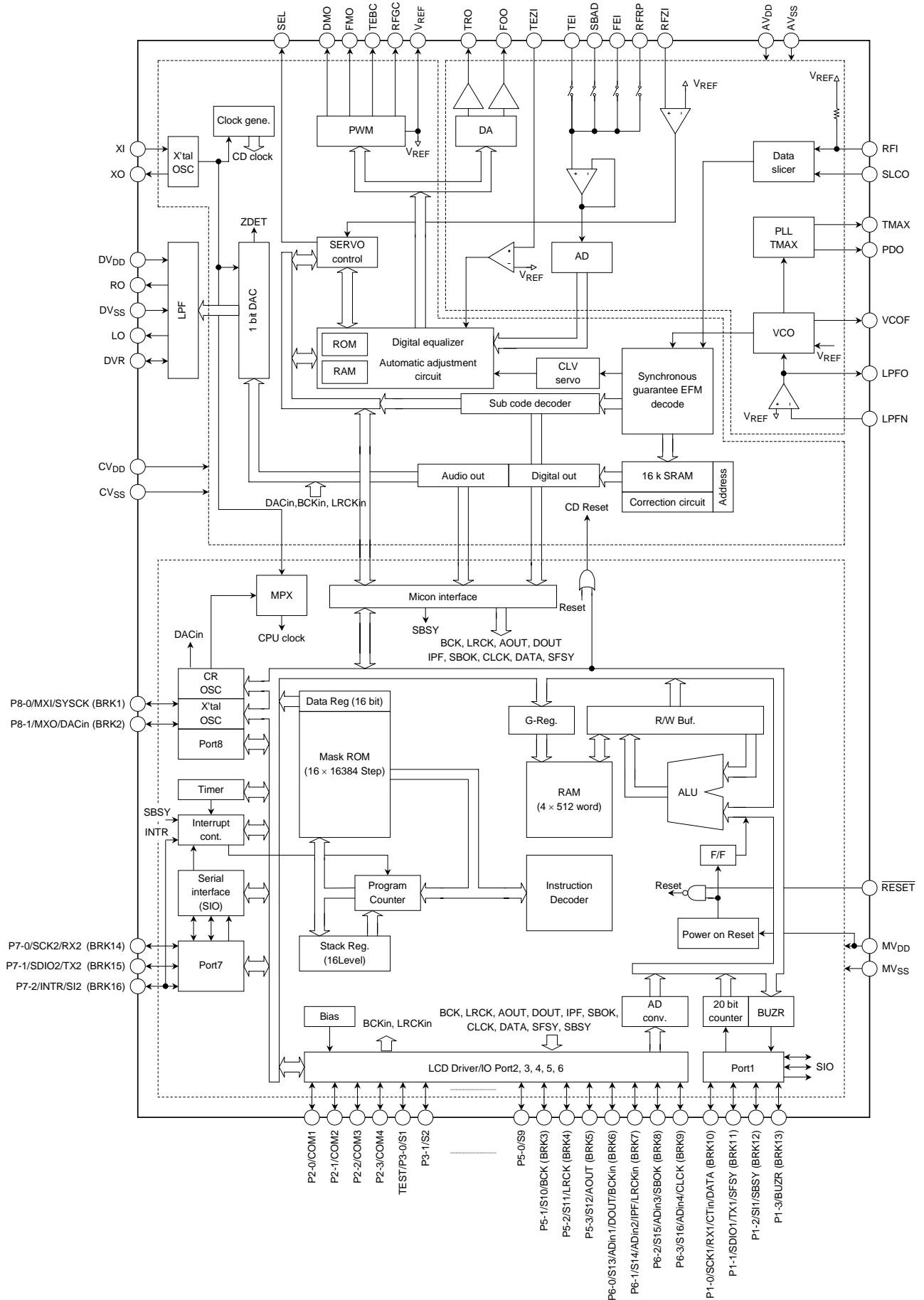
CD Processor

- Reliable sync pattern detection, sync signal protection and interpolation
- Built-in EFM demodulator and subcode decoder
- High-correction capability using Cross Interleave Read Solomon Code (CIRC) logical equation
C1 correction: dual
C2 correction: quadruple
- Jitter absorption capability of ± 6 frames
- Built-in 16 KB RAM
- Built-in digital output circuit
- Built-in L/R independent digital attenuator
- Bilingual audio output
- Audio output: 32fs, 48fs or 64fs selectable
- Subcode Q data is read-timing free and can be driven out in sync with audio data.
- Built-in data slicer and analog PLL (adjustment-free VCO used) circuit
- Automatic adjustment of loop gain, offset, and balance at focus servo and tracking servo
- Built-in RF gain auto-adjusting circuit
- Built-in digital equalizer for phase compensation
- Supports different pickups using on-chip digital equalizer coefficient RAM.
- Built-in focus and tracking servo control circuit
- Search control supports all modes and realizes high-speed, stable search.
- Lens kick and feed kick use speed control method.
- Built-in AFC and APC circuits for disc motor CLV servo
- Built-in defect/shock detector
- Built-in 8 times over-sampling digital filter and 1-bit DA converter
- Built-in analog filter for 1-bit DA converter

- Built-in zero-data detection output circuit
- Supports double-speed operation.

Note: Output pins for subcode Q data and audio data have multiplexed functions for controller-dedicated pins. The function of each pin can be switched by program.

Block Diagram



Pin Functions

Pin No.	Symbol	Pin Name	Function and Operation	Remarks
49	$\overline{\text{RESET}}$	Reset input	<p>System reset input pin for the device.</p> <p>A reset is applied while the $\overline{\text{RESET}}$ signal is low. When it is high, the 16.9344-MHz crystal oscillator (XI, XO) starts operating. The controller counts clock pulses from this oscillator and waits a specified standby time (approximately 50 ms) before starting the controller program from address 0. The CD processor is placed in the standby state at this time.</p> <p>Normally, raising the voltage on MVDD from 0 to 1.8 V or higher triggers a system reset (power-on reset) so that the $\overline{\text{RESET}}$ pin should be held at high.</p>	
50	P8-0 /MXI/SYSCK (BRK1)	I/O port 8-0 /crystal oscillator /CPU clock input	<p>2-bit CMOS I/O port.</p> <p>Input/output can be specified for each bit. When the pins are used as I/O port input, each pin can be pulled up or down by program. When backup release for clock stop mode or wait mode is enabled for the pins, a change in a pin can release the backup state.</p> <p>The program can set these pins to be used for a 75-kHz or 32.768-kHz dedicated crystal oscillator. The P8-0 pin can also be used to accept an external CPU operating clock input (SYSCK). The P8-1 pin can also be used to accept data for the 1-bit DAC (DACin) when a CD command is executed.</p> <p>The 75-kHz or 32.768-kHz dedicated crystal oscillator and CPU clock input are used for the operation of the controller and peripheral devices. Upon a system reset, the 16.9344-MHz crystal oscillator (XI, XO) is selected as the clock for controller and peripheral device operation. The program can subsequently set the pins to oscillator pins and switch the clock generated from the oscillator to the controller clock. When the pins are used for an oscillator, executing the CKSTP instruction causes its oscillation to stop.</p> <p>(Note) When the P8-0 pin is used for a CR oscillator, the P8-1 pin can be used as an I/O port pin.</p> <p>(Note) Backup release is enabled for both pins simultaneously.</p> <p>(Note) Use a crystal oscillator having a good startup characteristic.</p> <p>(Note) Upon a system reset, the pins are set to I/O port input.</p> <p>(Note) After setting the pins to oscillator pins, wait until oscillation settles before switching the controller clock.</p> <p>(Note) For an external CPU clock, usually use a 32.768-kHz clock. The pin has CMOS input configuration.</p>	<p>(When used for I/O port)</p>
51	P8-1 /MXO /DACin (BRK2)	I/O port 8-1 /crystal oscillator /1-bit DAC data input	<p>(Note) When the P8-0 pin is used for a CR oscillator, the P8-1 pin can be used as an I/O port pin.</p> <p>(Note) Backup release is enabled for both pins simultaneously.</p> <p>(Note) Use a crystal oscillator having a good startup characteristic.</p> <p>(Note) Upon a system reset, the pins are set to I/O port input.</p> <p>(Note) After setting the pins to oscillator pins, wait until oscillation settles before switching the controller clock.</p> <p>(Note) For an external CPU clock, usually use a 32.768-kHz clock. The pin has CMOS input configuration.</p>	<p>(When used for crystal oscillator)</p>

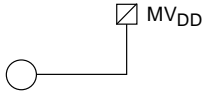
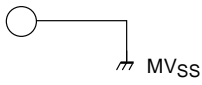
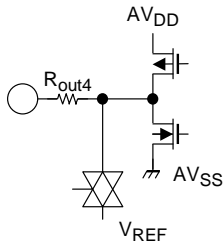
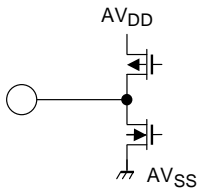
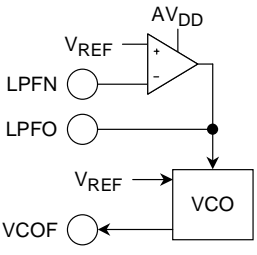
Pin No.	Symbol	Pin Name	Function and Operation	Remarks
52 53 54 55	P2-0/COM1 P2-1/COM2 P2-2/COM3 P2-3/COM4	I/O port 2 /LCD common output	<p>24-bit CMOS I/O port and 3-bit N-channel open-drain I/O port.</p> <p>Input/output can be specified for each bit. When the P6-0 to P6-3 pins are used as I/O port input, each pin can be pulled up or down by program. When the P5-1 (BRK3) to P7-2 (BRK16) pins are used as I/O port input and backup release for clock stop mode or wait mode is enabled for those pins (enabled/disabled in port units), a change in any of the pins can release the backup state. The P7-0 to P7-2 pins constitute an N-channel open-drain I/O port, to which a voltage of up to 5.5 V can be applied.</p> <p>I/O ports 2 to 6 can be set to LCD driver output pins by program. The COM1 to COM4 pins drive common signals to the LCD panel while the S1 to S16 pins drive segment signals. The COM1 to COM4 signals configure a matrix with the S1 to S16 signals to display up to 64 segments.</p>	
56	TEST /P3-0/S1	Test input /I/O port 3-0 /LCD segment output	<p>When the LCDoff bit is set to 0, the COM1 to COM4 and S1 to S4 pins are collectively set to LCD output. For S5 to S16, the program can specify either I/O port or segment output individually for each pin.</p> <p>The LCD can be driven by the 1/4-duty, 1/2-bias method (frame frequency: 62.5 Hz) or the 1/4-duty, 1/3-bias method (frame frequency: 125 Hz). When the 1/2 bias method is set, three common output levels (MVDD, 1/2MVDD and GND) and two segment output levels (MVDD and GND) appear on the pins. When the 1/3 bias method is set, four common and segment output levels (MVDD, 1/3MVDD, 2/3MVDD and GND) appear on the pins.</p>	
57 58 59	P3-1/S2 P3-2/S3 P3-3/S4	I/O port 3 /LCD segment output	<p>After clock stop mode is released, a non-select waveform (bias voltage) is driven and the DISP OFF bit is set to 0, after which the common signals are driven.</p> <p>During a system reset ($\overline{\text{RESET}} = \text{low}$), the TEST/P3-0/S1 pin is pulled down and accepts test mode input. This pin should be left open or applied low level during a reset.</p>	
60 61 62 63	P4-0/S5 P4-1/S6 P4-2/S7 P4-3/S8	I/O port 4 /LCD segment output	<p>The P5-1 to P6-3 and P1-0 to P1-2 pins can be set to CD processor-dedicated pins on a per pin basis. The CD processor functions are as follows:</p>	

(Continued on next page)

Pin No.	Symbol	Pin Name	Function and Operation	Remarks
64	P5-0/S9	I/O port 5-0 /LCD segment output	<ul style="list-style-type: none"> ●BCK: Bit clock output pin. One of three frequencies, 32, 48 or 64 can be specified using a CD command. At normal speed: $32 f_s = 1.4112 \text{ MHz}$ ●LRCK: LR channel clock output pin. For the L channel, this pin drives a low level. For the R channel, it drives a high level. The polarity can be inverted using a CD command. At normal speed: 44.1 kHz ●AOUT: Audio data output pin. Either MSB first or LSB first can be specified using a CD command. ●DOUT: Digital data output pin. It drives data at up to double speed (complying with CP-1201). 	
1 2 3	P5-1/S10 /BCK (BRK3) P5-2/S11 /LRCK (BRK4) P5-3/S12 /AOUT (BRK5)	I/O port 5 /LCD segment output /CD processor function	<ul style="list-style-type: none"> ●IPF: Correction flag output pin. If the AOUT output is C2 error detection/correction, a high level appears to indicate an uncorrectable symbol. (Also called C2PO) ●SBOK: CRCC test result output pin for subcode Q data. A high level appears when the data has passed the test. ●CLCK: Clock input/output pin for reading subcode P to W data. The input/output polarity can be inverted using a CD command. ●DATA: Subcode P to W data output pin. ●SFSY: Frame sync signal output pin for playback. ●SBSY: Block sync signal output pin for subcode. When a subcode sync is detected, a high level appears at S1. The controller enables CD interrupts. When an interrupt occurs on the falling edge of the SBSY signal, the program jumps to address 2. 	
4 5 6 7	P6-0/S13 /ADin1 /DOUT /BCKin (BRK6) P6-1/S14 /ADin2 /IPF /LRCKin (BRK7) P6-2/S15 /ADin3 /SBOK (BRK8) P6-3/S16 /ADin4 /CLCK (BRK9)	I/O port 6 /LCD segment output /CD processor function	<ul style="list-style-type: none"> ●BCKin: Bit clock input pin for 1-bit DAC. ●LRCKin: LR channel clock input pin for 1-bit DAC <p>(Note) Interrupts should not be enabled when CD processor operation is undefined.</p> <p>(Note) Unlike other CD processor pins, LRCKin and BCKin are configured as a pair so their functions are always switched together. When these pins are used, they should be set as I/O port input.</p> <p>P6-0 to P6-3 pins have multiplexed functions for the on-chip 6-bit 4-channel AD converter analog input. The on-chip AD converter uses successive approximation. The conversion time is 242 μs when the 16.9344-MHz crystal oscillator is used and 7 instruction cycles (280 μs) when the 75-kHz crystal oscillator is used. The program can specify necessary pins for AD analog input on a per bit basis. The internal power supply (MV_{DD}) is used as the reference voltage. When the P6-0 to P6-3 pins are used as I/O port input, each pin can be pulled up or down by program.</p>	

(Continued on next page)

Pin No.	Symbol	Pin Name	Function and Operation	Remarks
10	P1-0/SCK1 /RX1 /CTin /DATA (BRK10)	I/O port 1-0 /serial clock input/output 1 /serial receive data 1 /counter clock input /CD processor function	The P1-0 pin has multiplexed functions for general-purpose counter input. The input frequency is 0.1 MHz to 20 MHz. The counter incorporates an input amplifier and operates with capacitance-coupled small amplitudes. The counter is a 20-bit counter and can store 20-bit data directly in memory. The gate time can be selected from among 1 ms, 4 ms, 16 ms and 64 ms (when the 75-kHz crystal oscillator is used). In manual mode, the gate can be turned on and off within the specified time using instructions.	<p>(When used for I/O port)</p>
11	P1-1/SDIO1 /TX1 /SFSY (BRK11)	I/O port 1-1 /serial data input/output 1 /serial transmit data 1 /CD processor function	The P1-0 to P1-2 and P7-0 to P7-2 pins have multiplexed functions for serial interface (SIO) circuit input/output pins.	
12	P1-2/SI1 /SBSY (BRK12)	I/O port 1-2 /serial data input 1 /CD processor function	The SIO is a serial interface supporting 2-line and 3-line methods as well as UART. The TC94A58FAG has CMOS input/output pins (SCK1/RX1, SDIO1/TX1, SI1) and N-channel open-drain (supporting up to 5.5 V) input/output pins (SCK2/RX2, SDIO2/TX2, SI2). One of the two sets of pins can be selected as serial interface. The serial interface circuit supports various options, including the number of the clock edge to be used, the serial clock input/output, and the clock frequency. These options facilitate controlling the LSI and communications between the controllers. When SIO interrupts are enabled, an interrupt is generated as soon as execution of the SIO completes, causing the program to jump to address 4.	
13	P1-3/BUZR (BRK13)	I/O port 1-3 /buzzer output	The P1-3 pin has multiplexed functions for a buzzer output pin. One of four frequencies within the range from 0.75 kHz, 1 kHz, 1.5 kHz and 3 kHz can be selected for buzzer output (when the 75-kHz clock is used). The buzzer is driven at the selected frequency in one of four modes: continuous, single-shot, 10-Hz intermittent, and 10-Hz intermittent at 1-Hz intervals.	<p>(When P1-0 is used for general-purpose counter)</p>
14	P7-0/SCK2 /RX2 (BRK14)	I/O port 7-0 /serial clock input/output 2 /serial receive data 2	The P1-3 pin has multiplexed functions for a buzzer output pin. One of four frequencies within the range from 0.75 kHz, 1 kHz, 1.5 kHz and 3 kHz can be selected for buzzer output (when the 75-kHz clock is used). The buzzer is driven at the selected frequency in one of four modes: continuous, single-shot, 10-Hz intermittent, and 10-Hz intermittent at 1-Hz intervals.	
15	P7-1/SDIO2 /TX2 (BRK15)	I/O port 7-1 /serial data input/output 2 /serial transmit data 2	The P7-2 pin has multiplexed functions for an external interrupt input pin. When interrupts are enabled and a pulse of 1.65 μs to 4.96 μs or more (13.3 μs to 40 μs when the 75-kHz clock is used) is applied to this pin, an interrupt is generated and the program jumps to address 1. The input logic and rising/falling edge can be selected for interrupt inputs. This input can be applied as the clock gate signal to the internal 8-bit timer/counter, which allows input pulse width to be detected and measured.	
16	P7-2/INTR /SI2 (BRK16)	I/O port 7-2 /interrupt input /serial data input 2	<p>(Note) Backup release is enabled or disabled in port units.</p> <p>(Note) Upon a system reset, the pins are set to I/O port input.</p> <p>(Note) When the 32.768-kHz crystal oscillator or the CR oscillator is used, the general-purpose counter is used as a timer.</p>	

Pin No.	Symbol	Pin Name	Function and Operation	Remarks
8	MVDD	Power supply pins for controller block	Power supply pins for the controller block. Normally, $V_{DD} = 3.0$ to 3.6 V. When only the CPU operates (when the 75-kHz/32.768-kHz oscillator is used), it can operate at $V_{DD} = 1.8$ to 3.6 V. In the backup state (when the CKSTP instruction is executed), current dissipation decreases ($10 \mu\text{A}$ or below), allowing the power supply voltage to be reduced to 1.0 V.	
9	MVSS		Raising the voltage on MVDD pin from 0 V to 1.8 V or higher triggers a system reset, causing the program to start from address 0 (power-on reset). (Note) At power-on reset operation, allow 1 ms to 50 ms while the device power supply voltage rises. (Note) The backup current is the total of currents for CV_{DD} , MV_{DD} and DV_{DD} .	
17	PDO	CD processor control input/output pin	Output pin for a phase error signal between the EFM and PLCK signals. Drives one of four values: AV_{DD} , Hi-Z, V_{REF} , AV_{SS}	
18	TMAX		TMAX detection result output pin. Longer than specified cycle: Drives a high level (AV_{DD}) Shorter than specified cycle: Drives a low level (AV_{SS}) Within specified cycle: Hi-Z	
19	LPFN		Inverted input pin for PLL low-pass filter amplifier.	
20	LPFO		Output pin for PLL low-pass filter amplifier.	
21	VCOF		VCO filter pin	
22	AVSS		Ground pin for analog block	

Pin No.	Symbol	Pin Name	Function and Operation	Remarks
23	SLCO	CD processor control input/output pin	DAC output pin for generating data slice level.	
24	RFI		RF signal input pin. The value of Z_{in1} can be selected using a CD command.	
25	AV _{DD}		Power supply pin for analog block. Normally, $V_{DD} = 3.0$ to 3.6 V. In CD standby mode, turn this power supply off.	—
26	V _{REF}		Analog reference voltage pin. Normally, a voltage of $1/2$ AV _{DD} is supplied (when $V_{DD} = 3.3$ V, $V_{REF} = 1.65$ V).	—
27	RFZI		RFRP zero-cross signal input pin	
28	RFRP		RF ripple signal input pin	
29	FEI		Focus error signal input pin	
30	SBAD		Sunbeam addition signal input pin	
31	TEI		Tracking error input pin. The pin is read when tracking servo is turned on.	
32	TEZI		Tracking error/zero-cross signal input pin	
33	FOO	Focus equalizer output pin		
34	TRO	Tracking equalizer output pin		

Pin No.	Symbol	Pin Name	Function and Operation	Remarks
35	RFGC	CD processor control input/output pin	Control signal output pin for adjusting RF amplitude. Drives three-level PWM signal (PWM carrier = 88.2 kHz).	
36	TEBC		Tracking balance control signal output pin. Drives three-level PWM signal (PWM carrier = 88.2 kHz).	
37	SEL		APC circuit ON/OFF signal output pin. When laser is turned on, this pin will be in a high-impedance state.	
38	FMO		Feed equalizer output pin. Drives three-level PWM signal (PWM carrier = 88.2 kHz).	
39	DMO		Disc equalizer output pin. Drives three-level PWM signal (PWM carrier = 88.2 kHz).	
40	CVDD	Power supply pins	Logic power supply pins for the CD processor block and 16.9344-MHz dedicated crystal oscillator. Normally, the same power supply as that for the MVDD and MVSS pins is connected. In CD standby mode, current dissipation decreases.	
43	CVSS			
41	XO	Crystal oscillator pins	Input/output pins for the CD processor-dedicated crystal oscillator. Connect a 16.9344-MHz crystal oscillator. This clock is used as the CD processor system clock and controller system clock. Upon a system reset, this clock is supplied as the controller system clock and starts the CPU.	
42	XI		<p>The crystal oscillator can be stopped by program. If the 75/32.768-kHz or external CPU clock is selected as the controller system clock, the CD processor oscillator is stopped by program when the CD processor is turned off.</p> <p>(Note) When switching the controller system clock from the controller oscillator to the CD crystal oscillator, make sure that the CD crystal oscillator is sufficiently stable.</p>	

Pin No.	Symbol	Pin Name	Function and Operation	Remarks
44	DV _{DD}	Audio DAC output	DA converter block power supply pin The TC94A58FAG consumes less current in CD standby mode.	
45	RO		R-channel data forward rotation output pin	
46	DV _{SS}		DA converter block ground pin	
47	LO		L-channel data forward rotation output pin	
48	DVR		Reference voltage pin	

Maximum Ratings (Ta = 25°C, CV_{DD} = DV_{DD} = AV_{DD} = MV_{DD})

Characteristics		Symbol	Rating	Unit
Supply voltage		V _{DD}	-0.3 to 4.0	V
Input voltage (Note 1)	CV _{DD} pin	V _{IN1}	-0.3 to CV _{DD} + 0.3	V
	AV _{DD} pin	V _{IN2}	-0.3 to AV _{DD} + 0.3	
	DV _{DD} pin	V _{IN3}	-0.3 to DV _{DD} + 0.3	
	MV _{DD} pin	V _{IN4}	-0.3 to MV _{DD} + 0.3	
		V _{IN5}	-0.3 to 6.0	
Power dissipation		P _D	400	mW
Operating temperature		T _{opr}	-40 to 85	°C
Storage temperature		T _{stg}	-65 to 150	°C

Note 1: V_{IN1}; Pins 41 and 42
 V_{IN2}; Pins 17 to 39 (excluding power supply pins)
 V_{IN3}; Pins 45, 47 and 48
 V_{IN4}; Pins 1 to 13 and 49 to 64 (excluding power supply pins)
 V_{IN5}; Pins 14, 15 and 16

Electrical Characteristics

(Ta = 25°C, CV_{DD} = MV_{DD} = DV_{DD} = AV_{DD} = 3.3 V, V_{REF} = 1.65 V unless otherwise stated)

Characteristics	Symbol	Test Circuit	Test Condition	Min	Typ.	Max	Unit
Operating supply voltage range	V _{DD1}	—	CPU and CD in operation MV _{DD} = CV _{DD} ≥ DV _{DD} = AV _{DD} (Note 4)	3.0	~	3.6	V
	V _{DD2}		CPU in operation (CD standby, 16.9344-MHz crystal oscillator/CR oscillator used) (Note 4)	3.0	~	3.6	
	V _{DD3}		Only CPU in operation (CD standby, 75-kHz/32.768-kHz crystal oscillator used) (Note 5)	1.8	~	3.6	
Memory hold voltage range	MV _{HD}	—	Crystal oscillator stopped (CKSTP instruction executed) (Note 4)	1.0	~	3.6	V
Operating power supply current (Note 2)	I _{DD1}	—	CPU and CD in operation (XI = 16.9344-MHz crystal oscillator used)	—	30	50	mA
	I _{DD2}		Only CPU in operation (XI = 16.9344-MHz crystal oscillator used)	—	1.5	—	
	I _{DD3}		CPU in operation (MXI = 75-kHz crystal oscillator connected)	—	50	100	μA
	I _{DD4}		Standby mode (only crystal oscillator in operation, MXI = 75 kHz)	—	30	80	μA
Memory hold current	MI _{HD}	—	(CV _{DD} /MV _{DD} /AV _{DD} /DV _{DD}) Crystal oscillator stopped (CKSTP instruction executed)	—	0.1	10	μA
Oscillation frequency	f _{MXT}	—	(MXI-MXO) Crystal oscillator selected (Note 3) (Note 5)	30	~	100	kHz
	f _{XT}		(XI-XO) (Note 4)	—	16.9344	—	
Crystal oscillator start time	t _{st}	—	(MXI-MXO) Crystal oscillator f _{mxt} = 75 kHz/32.768 kHz	—	—	1.0	s
Crystal oscillator amplifier feedback resistance	R _{fXT1}	—	(XI-XO)	0.5	1.0	2.0	MΩ
	R _{fXT2}		(MXI-MXO)	—	20	—	
Crystal oscillator output resistance	R _{out1}	—	(XO)	0.25	0.5	1.0	kΩ
	R _{out2}		(MXO)	50	100	200	
Dropout voltage detect voltage	V _{DET}	—	(MV _{DD}) Dropout voltage detector enabled	1.4	1.5	1.6	V
Dropout voltage detector operating current	I _{DD-V_D}			—	100	—	μA

Note 2: The operating power supply current includes the total current through all CV_{DD}, MV_{DD}, DV_{DD} and AV_{DD} power supply pins.

Note 3: Design and specify constants according to the crystal oscillator to be connected.

Note 4: The values are guaranteed when CV_{DD} = MV_{DD} = DV_{DD} = AV_{DD} = 3.0 to 3.6 V, Ta = -40 to 85°C.

Note 5: The values are guaranteed when CV_{DD} = MV_{DD} = DV_{DD} = AV_{DD} = 1.8 to 3.6 V, Ta = -30 to 75°C.

General-purpose counter (CTin)

Characteristics	Symbol	Test Circuit	Test Condition	Min	Typ.	Max	Unit
Frequency range	f _{CT}	—	V _{IN} = 0.2 V _{P-P} (Note 6)	0.1	—	20	MHz
Input amplitude range	V _{CT}	—	(Note 6)	0.2	—	2.0	V _{P-P}
Operating power supply current	I _{DD-CT}	—	General-purpose counter operating current, f _{in} = 20 MHz	—	0.5	—	mA
Input amplifier feedback resistance	R _{fIN}	—	(CTin)	200	350	1000	kΩ

Note 6: The values are guaranteed when CV_{DD} = MV_{DD} = DV_{DD} = AV_{DD} = 3.0 to 3.6 V, Ta = -40 to 85°C.

LCD common and segment outputs (COM1 to COM4, S1 to S16)

Characteristics		Symbol	Test Circuit	Test Condition	Min	Typ.	Max	Unit
Output current	High level	I _{OH1}	—	V _{OH} = 2.9 V (LCD output)	—	-300	—	μA
	Low level	I _{OL1}	—	V _{OL} = 0.4 V (LCD output)	—	450	—	
Bias current	1/2 level	V _{BS2}	—	No load (common output, 1/2 bias method)	2.3	2.5	2.7	V
	1/3 level	V _{BS1}		No load (LCD output, 1/3 bias method)	1.47	1.67	1.87	
	2/3 level	V _{BS3}			3.13	3.33	3.53	
LCD operating power supply current		I _{DD,LCD}	—	LCD driver operating current	—	50	—	μA

I/O ports (P1-0 to P6-3, P8-0, P8-1, P7-0 to P7-3)

Characteristics		Symbol	Test Circuit	Test Condition	Min	Typ.	Max	Unit
Output current	High level	I _{OH2}	—	V _{OH} = 2.9 V (P1-0 to P1-3, P6-2, P6-3, P8-0, P8-1)	-1.0	-2.0	—	mA
		I _{OH3}		V _{OH} = 2.9 V (P2-0 to P5-3, P6-0, P6-1)	-3.0	-6.0	—	
	Low level	I _{OL2}		V _{OL} = 0.4 V (P1-0 to P1-3, P6-2, P6-3, P8-0, P8-1)	1.0	2.0	—	
		I _{OL3}		V _{OL} = 0.4 V (P7-0 to P7-3)	5	15	—	
		I _{OL4}		V _{OL} = 0.4 V (P2-2, P2-3, P3-0 to P5-3, P6-0, P6-1)	3.0	6.0	—	
		I _{OL5}		V _{OL} = 0.4 V (P2-0, P2-1)	15	30	—	
Input leakage current		I _{LI}	—	V _{IH} = 3.3 V, V _{IL} = 0 V (P1-0 to P6-3, P8-0, P8-1) V _{IH} = 5.5 V, V _{IL} = 0 V (P7-0 to P7-3)	—	—	±1.0	μA
Input voltage	High level	V _{IH}	—	—	V _{DD} × 0.8	~	MV _{DD}	V
	Low level	V _{IL}	—	—	0	~	MV _{DD} × 0.2	
Input pull-up/down resistance		R _{IN1}	—	(P6-0 to P6-3, P8-0, P8-1) Pull-down/up specified	25	50	120	kΩ
		R _{IN2}		(P3-0) Test input pulled down	—	10	—	

AD converter (ADin1 to ADin4)

Characteristics	Symbol	Test Circuit	Test Condition	Min	Typ.	Max	Unit
Analog input voltage range	V _{AD}	—	ADin1 to ADin4	0	~	MV _{DD}	V
Resolution	V _{RES}	—	—	—	6	—	bit
Total conversion error	—	—	MV _{DD} = 1.8~3.6V, Ta = -30~75°C (Note 7)	—	—	±2.0	LSB
			MV _{DD} = 2.0~3.6V, Ta = -40~85°C (Note 7)	—	—	±1.0	
Analog input leakage current	I _{LI}	—	V _{IH} = 3.3 V, V _{IL} = 0 V (ADin1 to ADin4)	—	—	±1.0	μA

Note 7: The values are guaranteed when CV_{DD} = DV_{DD} = AV_{DD} = 3.0 to 3.6 V.

PDO, TMAX, RFGC, TEBC, FMO, DMO, TRO, FOO, and SEL output

Characteristics		Symbol	Test Circuit	Test Condition	Min	Typ.	Max	Unit
Output current	High level	I_{OH6}	—	$V_{OH} = 2.9 \text{ V (SEL, TMAX)}$	-2.0	—	—	mA
	Low level	I_{OL4}	—	$V_{OL} = 0.4 \text{ V (SEL, TMAX)}$	2.0	—	—	
Output resistance		R_{out3}	—	(RFGC, TEBC, FMO, DMO, TRO, FOO)	—	3.0	—	k Ω
		R_{out4}	—	(PDO)	—	5.0	—	
V_{REF} output ON resistance		R_{on}	—	(RFGC, TEBC, FMO, DMO, PDO)	—	—	500	Ω

Transfer delay time (BCK, LRCK, AOUT, DOUT, IPF, SBOK, CLCK, DATA, SFSY, SBSY)

Characteristics		Symbol	Test Circuit	Test Condition	Min	Typ.	Max	Unit
Transfer delay time	High level	t_{pLH}	—	—	—	10	—	ns
	Low level	t_{pHL}	—	—	—	10	—	

CD processor AD conversion block (FEI, TEI, RFRP, SBAD)

Characteristics		Symbol	Test Circuit	Test Condition	Min	Typ.	Max	Unit
Resolution		—	—	(FEI, TEI, RFRP, SBAD)	—	8	—	bit
Sampling frequency		—	—	(FEI, TEI, RFRP)	—	176.4	—	kHz
				(SBAD)	—	88.2	—	
Conversion input range		—	—	$AV_{DD} = 3.3\text{ V}$ (FEI, TEI, RFRP, SBAD)	$0.15 \times AV_{DD}$	—	$0.85 \times AV_{DD}$	V

CD processor DA conversion block (focus tracking system)

Characteristics		Symbol	Test Circuit	Test Condition	Min	Typ.	Max	Unit
Number of bits		—	—	(FOO, TRO)	—	5	—	bit
Sampling frequency		—	—	(FOO, TRO)	—	2.8	—	MHz
Conversion output range		—	—	$AV_{DD} = 3.3\text{ V}$ (FOO, TRO)	AV_{SS}	—	AV_{DD}	V

CD processor PLL/VCO block

Characteristics		Symbol	Test Circuit	Test Condition	Min	Typ.	Max	Unit
Input/output signal range		—	—	(LPFN, LPFO)	AV_{SS}	—	AV_{DD}	V
Frequency characteristic		—	—	(LPFN-LPFO) -3dB point (Gain = 1)	—	8	—	MHz
Oscillation center frequency		—	—	LPFO = V_{REF}	—	34	—	MHz
Frequency variable range		—	—	[VCOGSL] bit = Low	-30	—	+30	%
				[VCOGSL] bit = High	-40	—	+40	

CD processor comparator (TEZI, RFZI)

Characteristics		Symbol	Test Circuit	Test Condition	Min	Typ.	Max	Unit
Input range		—	—	(TEZI, RFZI)	AV_{SS}	—	AV_{DD}	V
Hysteresis voltage		—	—	(TEZI, RFZI) V_{REF} reference	-50	—	+50	mV
Input resistance		Z_{in2}	—	(TEZI, RFZI)	—	10	—	k Ω

CD processor data slicer (RFI/SLCO)

Characteristics		Symbol	Test Circuit	Test Condition	Min	Typ.	Max	Unit
Input amplitude		—	—	(RFI) V_{REF} reference	0.6	1.2	2.0	V_{p-p}
Input resistance		Z_{in1}	—	(RFI) Set resistance by CD command	—	20	—	k Ω
					—	10	—	
DAC resolution		—	—	(SLCO) R-2R DAC	—	6	—	bit
DAC output conversion range		—	—	(SLCO) R-2R DAC	$0.75 \times V_{REF}$	—	$1.25 \times V_{REF}$	V
DAC output impedance		—	—	(SLCO) R-2R DAC	—	2.5	—	k Ω

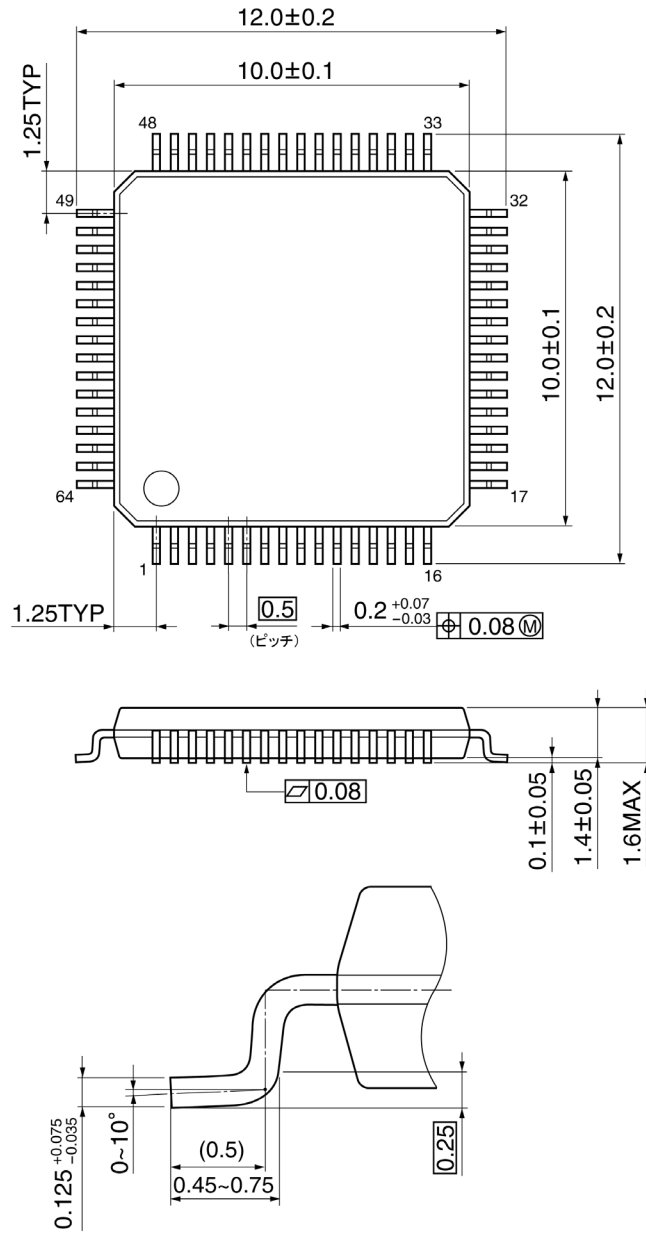
1-bit DA converter

Characteristics	Symbol	Test Circuit	Test Condition	Min	Typ.	Max	Unit
Total harmony distortion	THD + N	—	1-kHz sine wave, full-scale input	—	-85	-77	dB
S/N ratio	S/N (1)	—	Internal Zero detect = OFF	85	91	—	dB
	S/N (2)		Internal Zero detect = ON	95	100	—	
Dynamic range	DR	—	1-kHz sine wave, input reduction of -60dB	83	90	—	dB
Crosstalk	CT	—	1-kHz sine wave, full-scale input	—	-90	-83	dB
Analog output level	DACout	—	1-kHz sine wave, full-scale input	790	825	860	mVrms

Package Dimensions

P-LQFP64-1010-0.50E

Unit: mm



Note: Pd-plated leads.

Weight: 0.32 g (typ.)

RESTRICTIONS ON PRODUCT USE

030619EBA

- The information contained herein is subject to change without notice.
- The information contained herein is presented only as a guide for the applications of our products. No responsibility is assumed by TOSHIBA for any infringements of patents or other rights of the third parties which may result from its use. No license is granted by implication or otherwise under any patent or patent rights of TOSHIBA or others.
- TOSHIBA is continually working to improve the quality and reliability of its products. Nevertheless, semiconductor devices in general can malfunction or fail due to their inherent electrical sensitivity and vulnerability to physical stress. It is the responsibility of the buyer, when utilizing TOSHIBA products, to comply with the standards of safety in making a safe design for the entire system, and to avoid situations in which a malfunction or failure of such TOSHIBA products could cause loss of human life, bodily injury or damage to property.
In developing your designs, please ensure that TOSHIBA products are used within specified operating ranges as set forth in the most recent TOSHIBA products specifications. Also, please keep in mind the precautions and conditions set forth in the "Handling Guide for Semiconductor Devices," or "TOSHIBA Semiconductor Reliability Handbook" etc..
- The TOSHIBA products listed in this document are intended for usage in general electronics applications (computer, personal equipment, office equipment, measuring equipment, industrial robotics, domestic appliances, etc.). These TOSHIBA products are neither intended nor warranted for usage in equipment that requires extraordinarily high quality and/or reliability or a malfunction or failure of which may cause loss of human life or bodily injury ("Unintended Usage"). Unintended Usage include atomic energy control instruments, airplane or spaceship instruments, transportation instruments, traffic signal instruments, combustion control instruments, medical instruments, all types of safety devices, etc.. Unintended Usage of TOSHIBA products listed in this document shall be made at the customer's own risk.
- The products described in this document are subject to the foreign exchange and foreign trade laws.
- TOSHIBA products should not be embedded to the downstream products which are prohibited to be produced and sold, under any law and regulations.