



### Features

- Available in E6 series
- Unit height of 1.1 mm
- Current up to 1.1 A
- RoHS compliant\*

### Applications

- Input/output of DC/DC converters
- Power supplies for:
  - Portable communication equipment
  - Camcorders
  - LCD TVs
  - Car radios

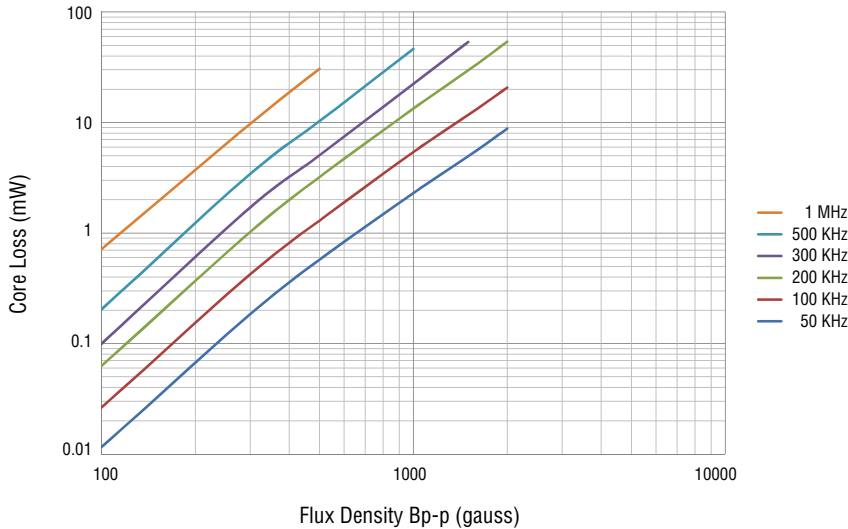
## SRU3011 Series - Shielded SMD Power Inductors

### Electrical Specifications

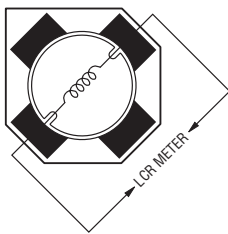
Bourns Part No.	Inductance 100 KHz		Q Ref.	Test Freq. (MHz)	SRF Min. (MHz)	RDC (mΩ)	I <sub>rms</sub> Max. (A)	Isat Typ. (A)	Marking	**K-Factor
	(μH)	Tol. %								
SRU3011-1R5Y	1.5	±30	7	7.96	180	57	1.10	1.00	A	1698
SRU3011-2R2Y	2.2	±30	7	7.96	150	80	0.92	0.90	B	1498
SRU3011-3R3Y	3.3	±30	8	7.96	120	116	0.84	0.78	C	1213
SRU3011-4R7Y	4.7	±30	8	7.96	90	178	0.63	0.62	D	943
SRU3011-6R8Y	6.8	±30	7	7.96	85	245	0.50	0.46	E	821
SRU3011-100Y	10.0	±30	8	2.52	60	340	0.40	0.35	F	653

\*\*K-Factor: To calculate core flux density,  $B_p$ -p (gauss) =  $K \times L(\mu H) \times \Delta I$  (peak-to-peak ripple current, A), determine core loss from *Core Loss vs. Flux Density* plot.

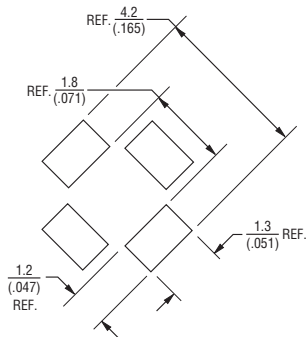
### Core Loss vs. Flux Density



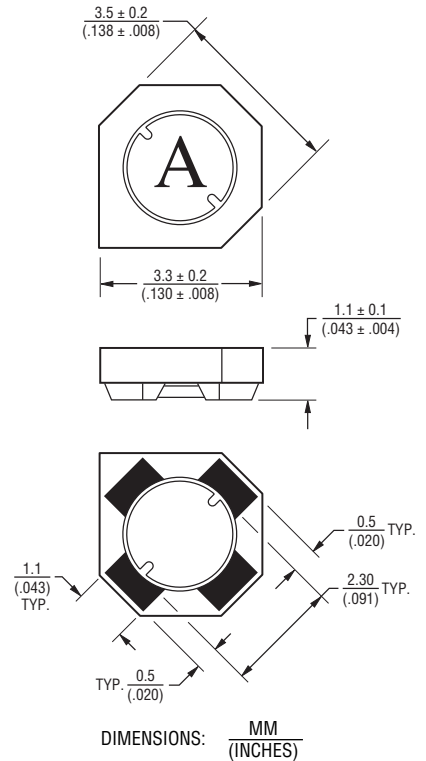
### Inductor Connection



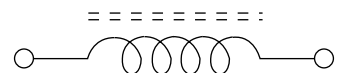
### Recommended Layout



### Product Dimensions



### Electrical Schematic

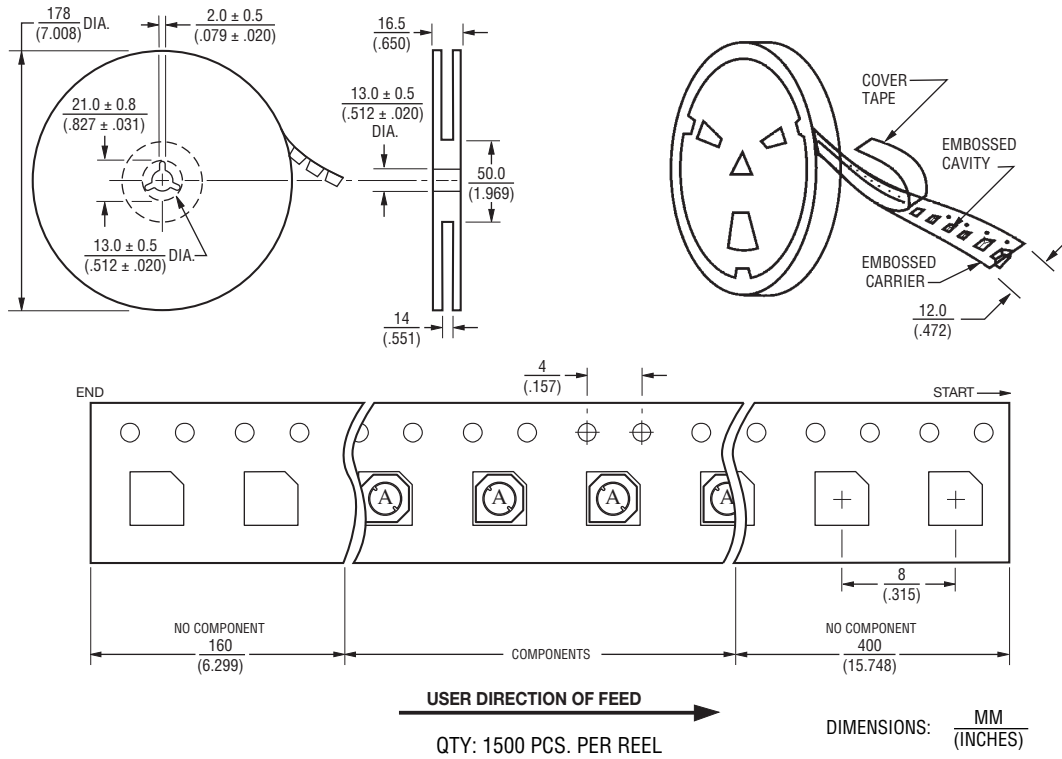


\* RoHS Directive 2002/95/EC Jan. 27, 2003 including annex and RoHS Recast 2011/65/EU June 8, 2011. Specifications are subject to change without notice. The device characteristics and parameters in this data sheet can and do vary in different applications and actual device performance may vary over time. Users should verify actual device performance in their specific applications.

# SRU3011 Series - Shielded SMD Power Inductors

**BOURNS®**

## Packaging Specifications



REV. 11/13

Specifications are subject to change without notice.  
 The device characteristics and parameters in this data sheet can and do vary in different applications and actual device performance may vary over time.  
 Users should verify actual device performance in their specific applications.