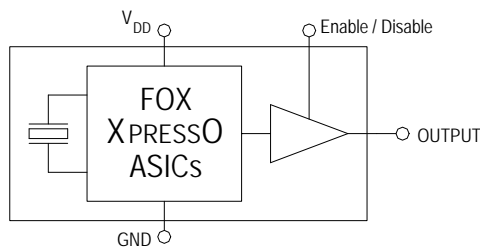


## Features

- ULTRA Low Jitter
- Low Cost
- XPRESS Delivery
- Frequency Resolution to six decimal places
- Stabilities to  $\pm 20$  PPM
- 20 to +70°C or -40 to +85°C operating temperatures
- Tri-State Enable / Disable Feature
- Industry Standard Package, Footprint & Pin-Out
- Fully RoHS compliant
- Gold over Nickel Termination Finish
- Serial ID with Comprehensive Traceability



For more information -- Click on the drawing



## Applications

- ANY application requiring a high performance HCMOS oscillator
- SONET
- Ethernet
- Storage Area Network
- Broadband Access
- Microprocessors / DSP / FPGA
- Industrial Controllers
- Test and Measurement Equipment

## Description

The Fox XPRESSO-ULTRA Crystal Oscillator is a breakthrough in configurable Frequency Control Solutions. XPRESSO-ULTRA utilizes a family of proprietary ASICs, designed and developed by Fox, with a key focus on noise reduction technologies.

The 4<sup>th</sup> order Delta Sigma Modulator reduces noise to the levels that are comparable to traditional Bulk Quartz and SAW oscillators. The ASICs family has the ability to select the output type and supply voltage.

With the XPRESSO-ULTRA lead-time, low cost, low noise, wide frequency range, excellent ambient performance, XPRESSO-ULTRA is an excellent choice over the conventional technologies.

Finished XPRESSO-ULTRA parts are 100% final tested.

Note \* – Higher frequencies are available. Contact Fox Technical Support for details.

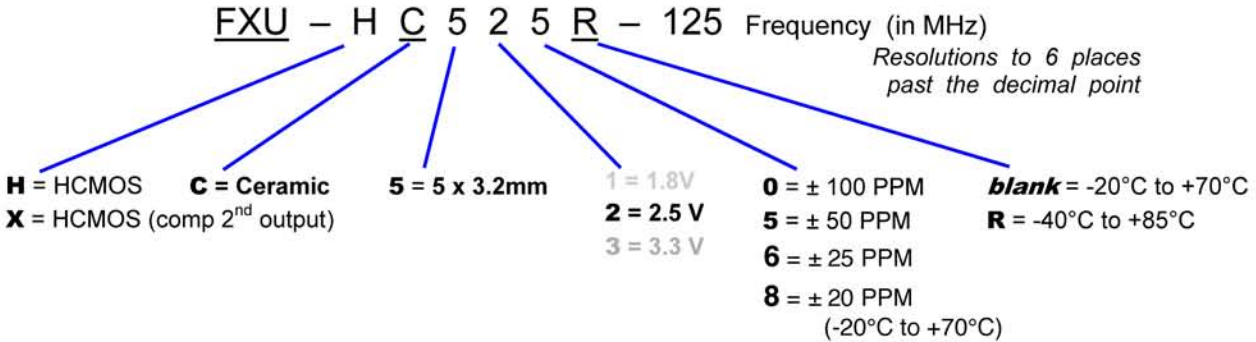
## Contents

	page
Model Selection & Part Number Guide	2
Electrical Characteristic	3
Absolute Maximums	3
Output Wave Characteristics	4
Phase Noise	5
Jitter	5
Pin Assignment	6
Recommended Circuit	6
Reflow	6
Mechanical Drawing and Pad Layout	7
Tape and Reel Specification	8
Label	8
Traceability – LOT Number & Serial Identification	9
Mechanical Test	10
Other XPRESSO Series Links	11
Fox Contact Information	11

### Model Selection Guide & Fox Part Number

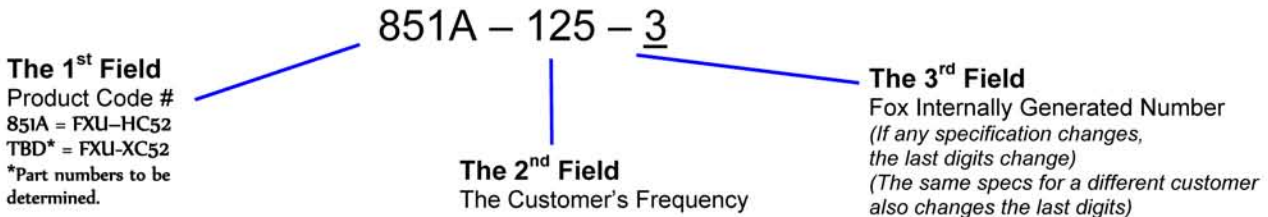
**STEP #1:** Customer selects the Model Description and provides to Fox Customer Service

#### Model Description



**STEP #2:** The Fox Customer Service team provides a customer specific Part Number for use on their Bill Of Materials (BOM).

**Fox Part Number** (The assigned Fox Part Number must be on the BOM – not the above Model Description)  
(This will ensure receipt of the proper part)



This example, **FXU-HC525R-125** = HCMOS Output, Ceramic, 5 x 3.2mm Package, 2.5V, ±50 PPM Stability, -40 to +85°C Temperature Range, at 125 MHz

Electrical Characteristics			
Parameters	Symbol	Condition	Maximum Value (unless otherwise noted)
Frequency Range <sup>1</sup>	F <sub>O</sub>		0.016 MHz to 167 MHz
Frequency Stability <sup>2</sup>			100, 50, 25, 20 <sup>3</sup> PPM
Temperature Range	T <sub>O</sub>	Standard operating	-20°C to +70°C
	T <sub>STG</sub>	Optional operating Storage	-40°C to +85°C -55°C to +125°C
Supply Voltage	V <sub>DD</sub>	Standard	2.5V ± 5%
Input Current (@ Standard Load)	I <sub>DD</sub>	0.016 to 62.5 MHz	78 mA Typical
		62.5+ to 167 MHz	83 mA Typical
Output Load			10 pF
Start-Up Time	T <sub>S</sub>		10 mS
Output Enable / Disable Time			100 nS
Moisture Sensitivity Level	MSL	JEDEC J-STD-20	1
Termination Finish			Au

Note 1 – Higher frequencies are available. Contact Fox Technical Support for details.

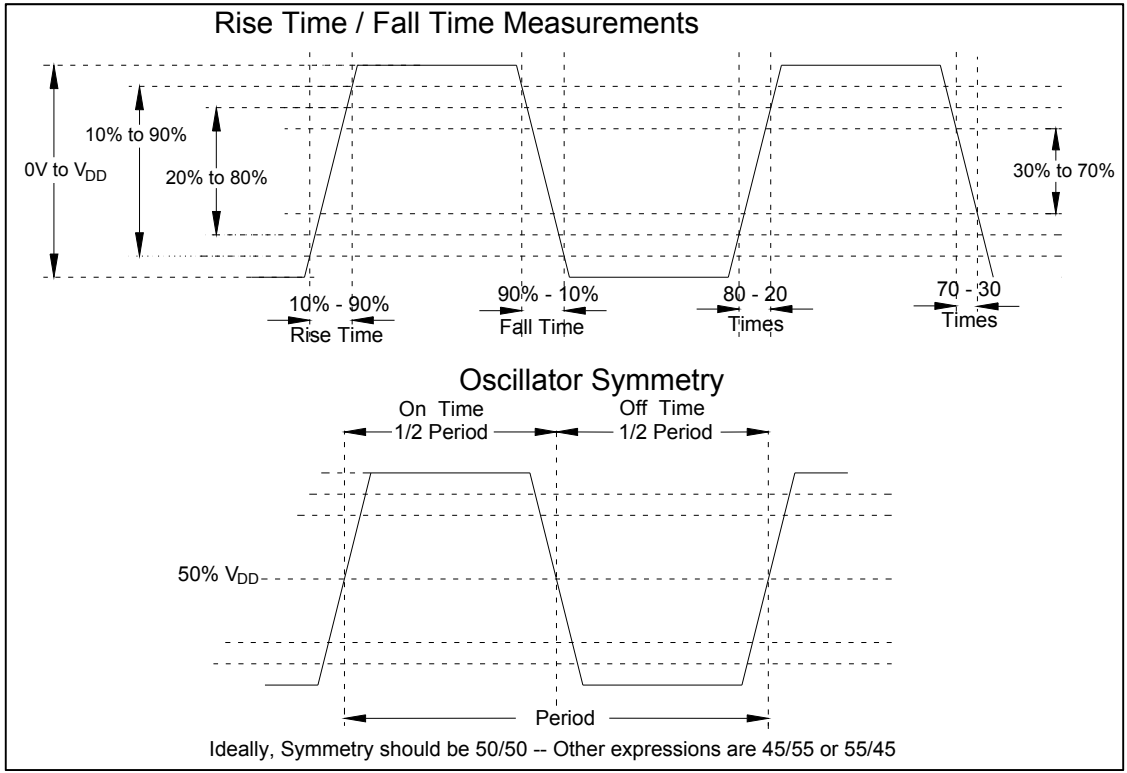
Note 2 - Stability is inclusive of 25°C tolerance, operating temperature range, input voltage change, load change, aging, shock and vibration.

Note 3 - ±20 PPM stability available -20°C to +70°C.

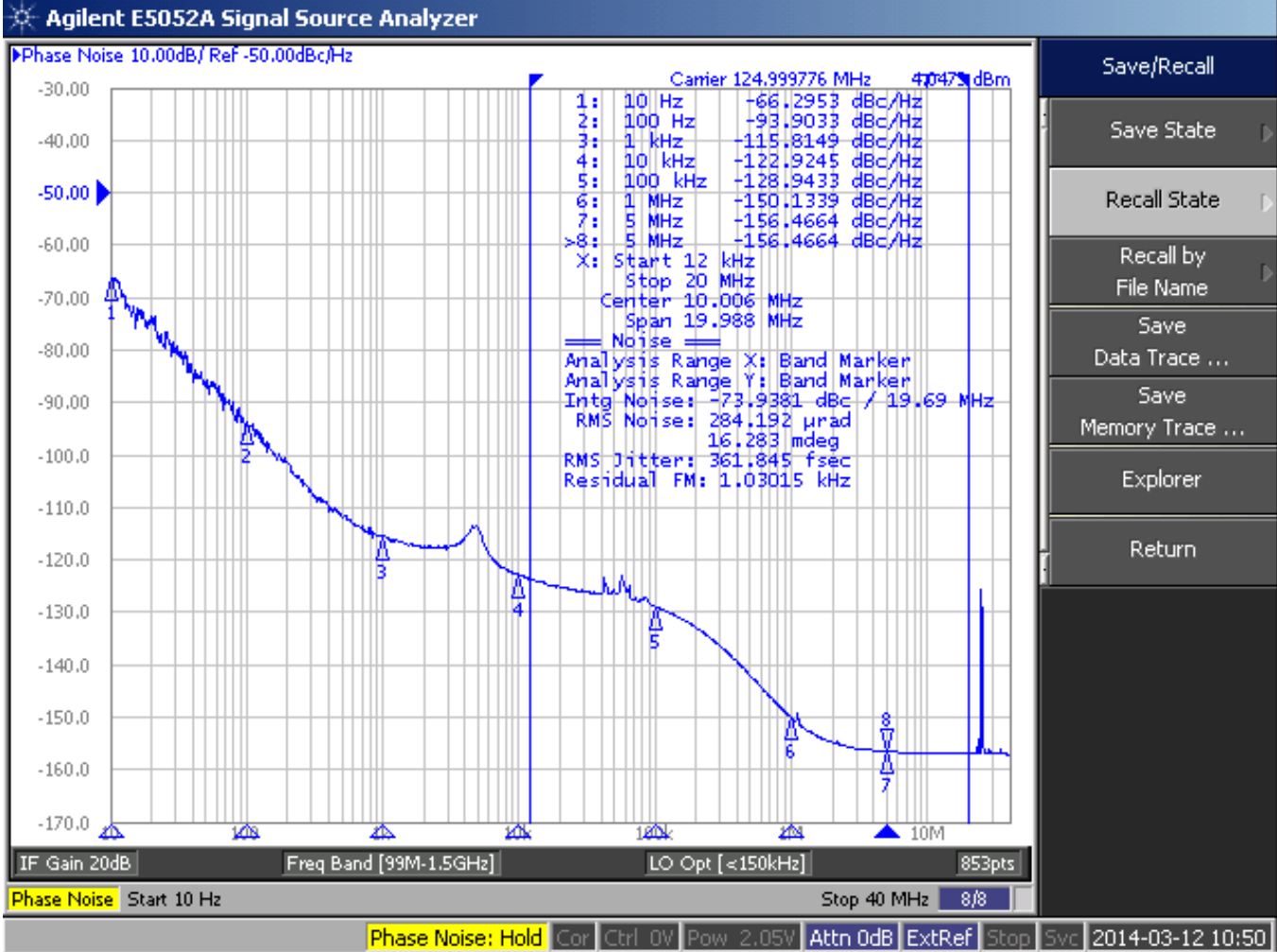
Absolute Maximum Ratings <i>(Useful life may be impaired. For user guidelines only, not tested)</i>			
Parameters	Symbol	Condition	Maximum Value (unless otherwise noted)
Input Voltage	V <sub>DD</sub>		-0.5V to +5.0V
Operating Temperature	T <sub>AMAX</sub>		-55°C to +105°C
Storage Temperature	T <sub>STG</sub>		-55°C to +125°C
Junction Temperature			125°C
ESD Sensitivity	HBM	Human Body Model	1 kV

**Output Wave Characteristics**

Parameters	Symbol	Condition	Maximum Value (unless otherwise noted)
Low Output Voltage	$V_{OL}$	0.016 MHz to 167 MHz	$10\%V_{DD}$
High Output Voltage	$V_{OH}$	0.016 MHz to 167 MHz	$90\%V_{DD}$ Minimum
Output Symmetry @ 50% $V_{DD}$ Level (See Drawing Below)		0.016 to 62.5 MHz 62.5+ to 167 MHz	45% ~ 55% 40% ~ 60%
Output Enable (PIN # 1) Voltage	$V_{IH}$		$\geq 70\% V_{DD}$
Output Disable (PIN # 1) Voltage	$V_{IL}$		$\leq 30\% V_{DD}$
Cycle Rise Time (10%~90% $V_{DD}$ - See Drawing Below)	$T_R$	0.016 to 167 MHz	2.0 nS Typical
Cycle Fall Time (90%~10% $V_{DD}$ - See Drawing Below)	$T_F$	0.016 to 167 MHz	1.0 nS Typical



### Phase Noise (typical measurements at 125 MHz)



### HCMOS Phase Jitter (typical measurement at 125 MHz)

Frequency	Phase Jitter (pS)
125 MHz	0.36 (per SONET OC-48: 12kHz to 20 MHz)

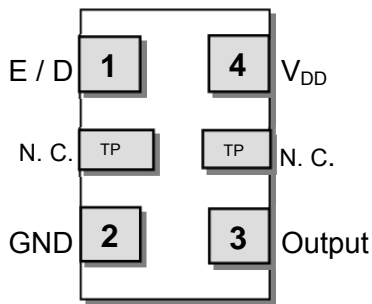
**Phase Jitter** is integrated from Agilent 5052A Signal Noise Analyzer; measured directly into 50 ohm input;  $V_{DD} = 2.5V$ .

### Pin Description and Recommended Circuit

Pin #	Name	Type	Function
1	E / D <sup>1</sup>	Input	Enable / Disable Control of Output (0 = Disabled)
2	GND	Ground	Electrical Ground for VDD
3	Output	Output	HCMOS Oscillator Output
4	VDD <sup>2</sup>	Power	Power Supply Source Voltage
Test Points	N. C.	Hi Z	No Connection (Factory Use ONLY)

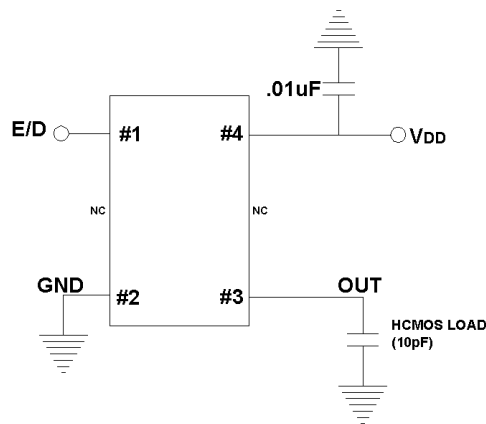
#### NOTES:

- 1 Includes pull-up resistor to V<sub>DD</sub> to provide output when the pin (1) is No Connect.
- 2 Installation should include a 0.01μF bypass capacitor placed between V<sub>DD</sub> (Pin 4) and GND (Pin 2) to minimize power supply line noise.



Terminations as viewed from the Top

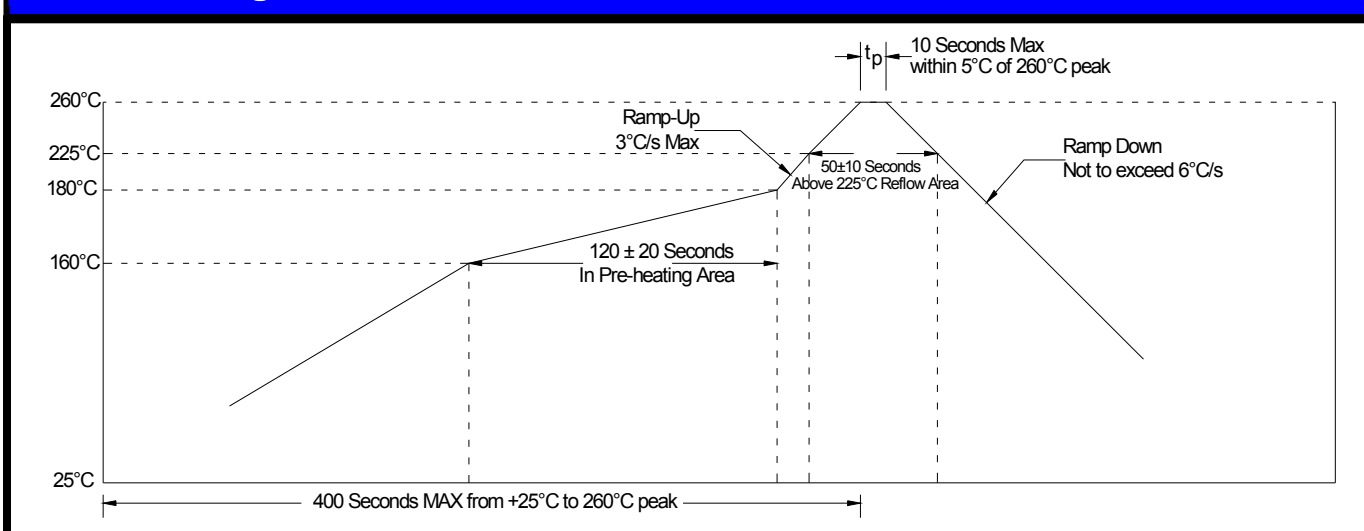
**NOTE:** XPRESSO-Ultra HCMOS XOs are designed to fit on Industry Standard, 4 pad layouts



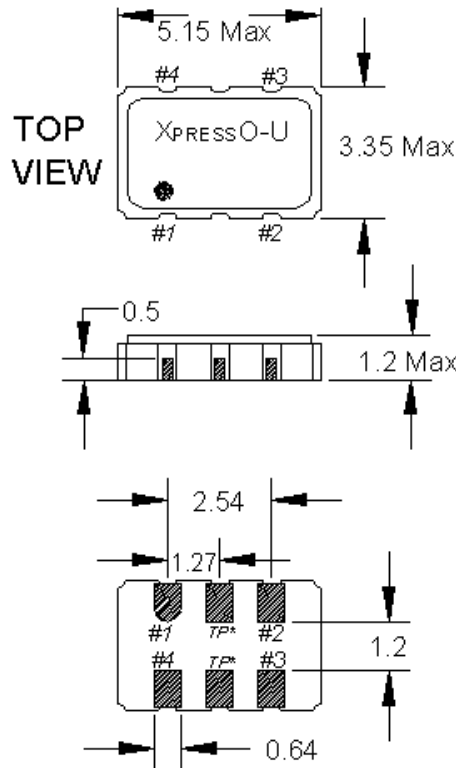
### Enable / Disable Control

Pin # 1 (state)	Output (Pin #3)
OPEN (No Connection)	ACTIVE Output
"1" Level $V_{IH} \geq 70\% V_{DD}$	ACTIVE Output
"0" Level $V_{IL} \leq 30\% V_{DD}$	High Impedance

### Soldering Reflow Profile (2 times Maximum at 260°C for 10 seconds MAX)



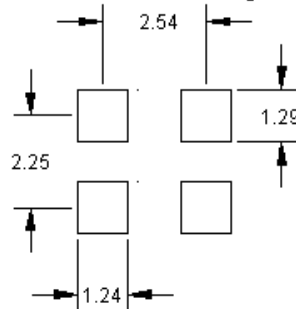
### Mechanical Dimensional Drawing & Pad Layout



**Actual part marking is depicted.**

See **Traceability** (pg. 9) for more information

#### Recommended Solder Pad Layout



**NOTE:** XPRESSO-ULTRA HCMOS XOs are designed to fit on Industry Standard, 4 pad layouts

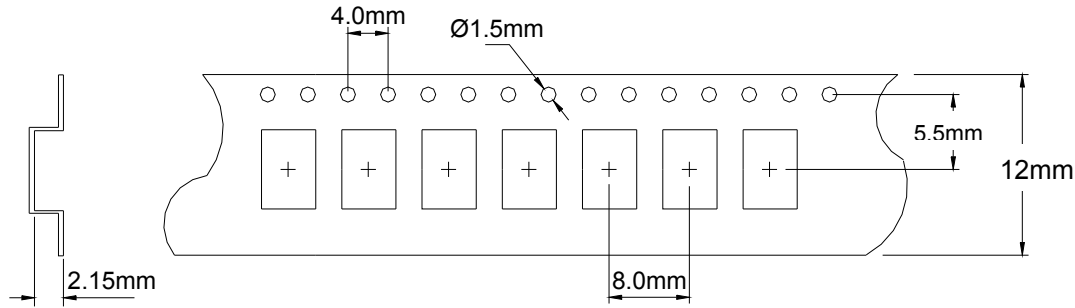
#### Pin Connections

- |         |                     |
|---------|---------------------|
| #1) E/D | #3) Output          |
| #2) GND | #4) V <sub>DD</sub> |

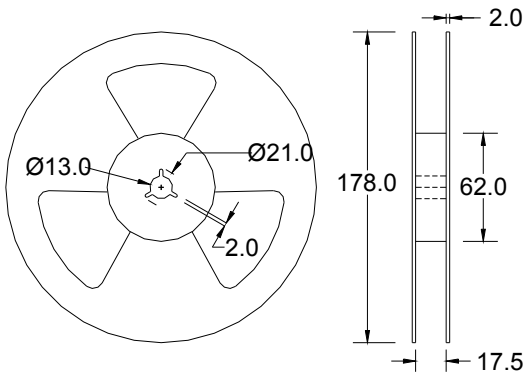
\*TP are test points and are NC.

Drawing is for reference to critical specifications defined by size measurements. Certain non-critical visual attributes, such as side castellations, reference pin shape, etc. may vary

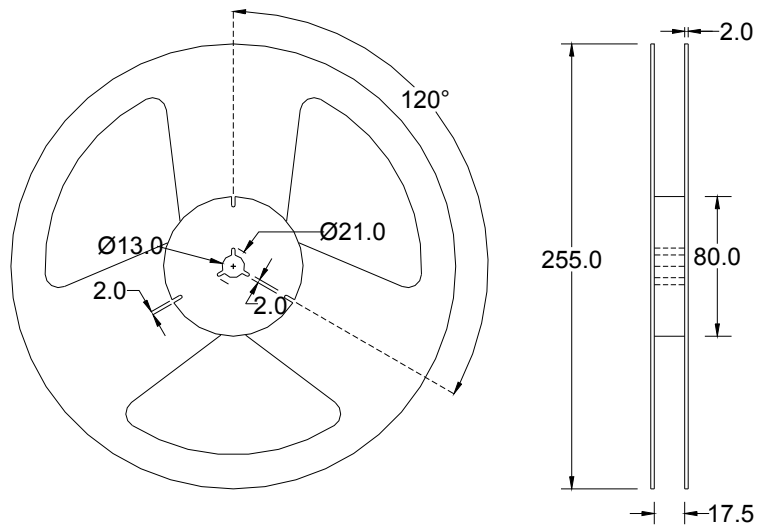
### Tape and Reel Dimensions



1k Reel Dimensions  
in mm



2k Reel Dimensions  
in mm



### Labeling (Reels and smaller packaging are labeled with the below)

- Fox Part Number: **851A-125-3** →
- Quantity: **2000** pieces →
- Description: **FXU-HC525R-125** →
- Date Code: **1335** →  
(YYWW 2013 35<sup>th</sup> wk)
- LOT #: **24435** →  
*If traceability should become necessary*

**SIKU 851A-125-3**  
 QTY: 2000  
 JESD FXU-HC525R-125-5  
 DATE CODE 1335  
 LOT 24435  
**Pb-Free RoHS Compliant Category (e4)**  
**FOX**  
 Xpresso<sup>®</sup>  
 Covered by one or more of listed  
 U.S. Patents: 6,664,860, 5,960,403  
 5,960,405 5,952,890 6,188,290  
 Foreign Patents:  
 China ZL 98802217.6 Mexico 232  
 R.S.A. 98/0806, ROC 120851,  
 Singapore 67081; 67082,  
 EP 0958652 Hong Kong HK1026079  
 Malaysia MY-118540-A  
 Philippines Patent: 1-1998-000248  
 US and Foreign Patents Pending  
 Xpresso<sup>®</sup> is a Registered Trademark of Fox Electronics  
**FOX Electronics**

An additional identification code is contained internally if tracking should ever be necessary



## Traceability – LOT Number & Serial Identification

### LOT Number

The LOT Number has direct ties to the customer purchase order. The LOT Number is marked on the “Reel” label, and also stored internally on non-volatile memory inside the XPRESSO-ULTRA part. XPRESSO-ULTRA parts that are shipped Tape and Reel, are also placed in an Electro Static Discharge (ESD) bag and will have the LOT Number labeled on the exterior of the ESD bag.

It is recommended that the XPRESSO-ULTRA parts remain in this ESD bag during storage for protection and identification.

If the parts become separated from the label showing the LOT Number, it can be retrieved from inside one of the parts, and the information that can be obtained is listed below:

- Customer Purchase Order Number
- Internal Fox Sales Order Number
- Dates that the XPRESSO-ULTRA part was shipped from the factory
- The assigned customer part number
- The specification that the part was designed for

---

### Serial Identification

The Serial ID is the individualized information about the configuration of that particular XPRESSO-ULTRA part. The Serial ID is unique for each and every XPRESSO-ULTRA part, and can be read by special Fox equipment.

With the Serial ID, the below information can be obtained about that individual, XPRESSO-ULTRA part:

- Equipment that the XPRESSO-ULTRA part was configured on
- Raw material used to configure the XPRESSO-ULTRA part
- Traceability of the raw material back to the foundries manufacturing lot
- Date and Time that the part was configured
- Any optimized electrical parameters based on customer specifications
- Electrical testing of the actual completed part
- Human resource that was monitoring the configuration of the part

Fox has equipment placed at key Fox locations World Wide to read the Lot Identification and Serial Number of any XPRESSO-ULTRA part produced and can then obtain the information from above within 24 hours

**Mechanical Testing**

<b>Parameter</b>	<b>Test Method</b>
Mechanical Shock	MIL-STD-202 Method 213 Condition C
Mechanical Vibration	MIL-STD-202 Method 204 5g's for 20 minutes 12 cycles of each 3 orientations: X, Y, Z
High Temperature Operating Life (HTOL)	Under Power @ 125°C for 1000 Hours
Hermetic Seal	He pressure: 4 ±1 kgf / cm <sup>2</sup> 2 Hour soak



*XpressO-ULTRA Home*

*XpressO-ULTRA XOs*

*XpressO Brochure*

*Patent Numbers:*

*US 6,664,860, US 5,960,403, US 5,952,890; US 5,960,405; US 6,188,290;  
Foreign Patents: R.S.A. 98/0866, R.O.C. 120851; Singapore 67081, 67082; EP 0958652  
China ZL 98802217.6, Malaysia MY-118540-A, Philippines 1-1998-000245, Hong Kong #HK1026079, Mexico #232179  
US and Foreign Patents Pending  
XpressO® Fox Electronics*

**Contact Information**

**(USA)-Worldwide Headquarters**

Tel: 888-GET-2-FOX

Outside US: +1.239.693.0099,

Fax: +1.239.693.1554

Email: [www.foxonline.com/email.htm](http://www.foxonline.com/email.htm)

**Fox EMEA**

Tel: +44.1283.568153

Email: [www.foxonline.com/email.htm](http://www.foxonline.com/email.htm)

**Fox Japan**

Tel: +81.3.3374.2079,

Fax: +81.3.3377.5221

Email: [www.foxonline.com/email.htm](http://www.foxonline.com/email.htm)

**Fox Singapore**

Tel: +886-2-22073427,

Email: [www.foxonline.com/email.htm](http://www.foxonline.com/email.htm)

*The above specifications, having been carefully prepared and checked, is believed to be accurate at the time of publication; however, no responsibility is assumed by Fox Electronics for inaccuracies.*

