

ISDN DC Converter Circuit IDCC PEB/PEF 2023

The PEB/F 2023 is a pulse width modulator circuit designed for fixed-frequency switching regulators with very low power consumption. It is fully compatible with the ITU-power recommendations of the S-interface. For these reasons the PEB/F 2023 is especially suited for telephone and ISDN-environments. Coupled with a few external components it can provide a stable 5V DC-supply for subscriber terminals (TE's) or network terminators (NT's).

1. Potential applications

- Terminator NT1
- Intelligent NT
- Voice Terminals

2. Features:

Switched mode DC/DC-converter

- ITU ISDN compatible
- Low power dissipation
- Supply voltage range 0: 8V to 16V
Supply voltage range 1: 12V to 80V
Supply voltage range 2: 22V to 90V
(pin stripping selects between range 1 and range 2)
- Supply voltage range 3, with shifting by an external zener diode. $U_{ZD}+8V$ to $U_{ZD}+90V$ (minimum zener voltage $U_{ZD}=14V$)
- Programmable overcurrent protection
- Soft Start
- Power housekeeping input
- Input undervoltage detection
- High input impedance if undervoltage is detected
- Oscillator synchronization input/output
- High voltage Smart Power Technology 75 V

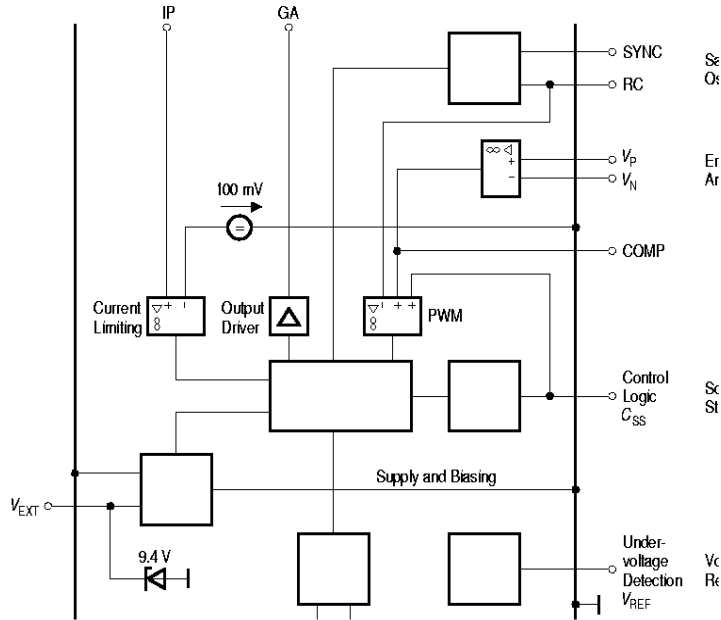
3. Packaging

Type	Ordering Code	Package
PEB 2023 T V1.1	Q67100-H6830	P-DSO-14
PEF 2023 T V1.1	Q67220-H1059	P-DSO-14

4. Product status

Product	Step	Status	Changes
PEB 2023 T	V1.1	ES. available, Prod. 07/97	
PEF 2023 T	V1.1	On Request	

5. Diagram



6. Documentation (Please contact our sales office for details)

	<u>Date of issue/version</u>	<u>Type of material</u>
PEB 2023 Data Sheet	08/97	Copy
PEB 2023 Application Note	07/97	Copy

7. Development and support tools

	<u>Availability</u>	<u>Ordering number</u>
SIPB 8090/8091/8191-PB	1Q98	on request

8. Applications

- Standard NT 2B1Q/4B3T System Solution

