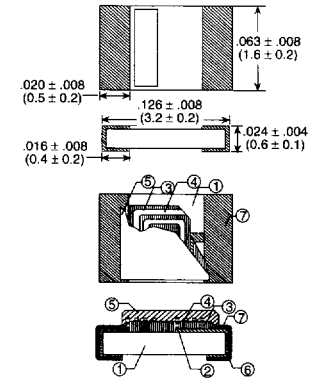


# RF INDUCTORS - SURFACE MOUNT

## SML1206 Thin Film RF Inductors



PART NUMBER	L nH	TOL.	Q TYP.	TEST FREQ. MHz	SRF MHz TYP.	DCR OHMS TYP.	CURRENT RATING mA DC TYP.	MARKING
SML1206-0022	2.2	± .2nH	32	500	9000	.07	1000	2N2
SML1206-0027	2.7	± .2nH	38	500	7000	.07	1000	2N7
SML1206-0033	3.3	± .2nH	40	500	6000	.08	1000	3N3
SML1206-0039	3.9	± .2nH	42	500	5000	.10	900	3N9
SML1206-0047	4.7	± .2nH	44	500	4500	.11	900	4N7
SML1206-0056J	5.6	± 5%	44	500	4000	.13	900	5N6
SML1206-0068J	6.8	± 5%	40	500	3500	.15	800	6N8
SML1206-0082J	8.2	± 5%	40	500	3000	.18	800	8N2
SML1206-0100J	10.0	± 5%	44	500	2900	.21	800	10N
SML1206-0120J	12.0	± 5%	42	500	2700	.22	800	12N
SML1206-0150J	15.0	± 5%	42	500	2400	.30	500	15N
SML1206-0180J	18.0	± 5%	42	500	2100	.37	500	18N
SML1206-0220J	22.0	± 5%	42	500	1940	.45	500	22N
SML1206-0270J	27.0	± 5%	30	200	1680	.58	500	27N
SML1206-0330J	33.0	± 5%	28	200	1500	.69	400	33N
SML1206-0390J	39.0	± 5%	28	200	1300	.78	400	39N
SML1206-0470J	47.0	± 5%	28	200	1270	.85	250	47N
SML1206-0560J	56.0	± 5%	18	200	600	1.50	250	56N
SML1206-0680J	68.0	± 5%	17	200	570	1.60	250	68N
SML1206-0820J	82.0	± 5%	18	200	480	1.80	250	82N
SML1206-1000J	100.0	± 5%	19	200	470	1.90	250	100



in. (mm)

- ① Alumina Ceramic Substrate
- ② Cross Conductor
- ③ Polyimide Insulator
- ④ Cu Plating Coll Pattern
- ⑤ Epoxy Passivation
- ⑥ Ni Barrier
- ⑦ Solder Coating

**NOTES:**

- Operating temperature -40°C to +125°C

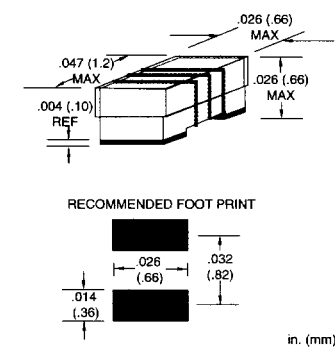
**TAPE AND REEL SPECS:**

PCS/Reel maximum:	4000
Pitch between parts:	4 mm
Tape width:	8 mm
Reel diameter inches:	7

## CC0402 Ceramic Wirewound RF Inductors



PART NUMBER	L nH	L FREQ MHz	Q MIN	Q FREQ MHz	SRF MHz MIN	DCR OHMS MAX	CURRENT RATING DC MAX mA	TOLERANCE CODES AVAILABLE
CC0402-0010K	1.0	250	16	250	6000	.045	1360	K,J
CC0402-0020K	2.0	250	16	250	6000	.070	1040	K,J
CC0402-0022K	2.2	250	19	250	6000	.070	960	K,J
CC0402-0033K	3.3	250	19	250	6000	.066	840	K,J
CC0402-0036K	3.6	250	19	250	6000	.066	840	K,J
CC0402-0039K	3.9	250	19	250	5800	.066	840	K,J
CC0402-0051K	5.1	250	20	250	5800	.083	800	K,J
CC0402-0056K	5.6	250	20	250	5800	.083	760	K,J
CC0402-0062K	6.2	250	20	250	5800	.083	760	K,J
CC0402-0075K	7.5	250	22	250	5800	.104	680	K,J
CC0402-0082K	8.2	250	22	250	4400	.104	680	K,J
CC0402-0090K	9.0	250	22	250	4160	.104	680	K,J
CC0402-010K	10.0	250	21	250	3900	.195	480	K,J
CC0402-011K	11.0	250	24	250	3680	.120	640	K,J
CC0402-012K	12.0	250	24	250	3600	.120	640	K,J
CC0402-015K	15.0	250	24	250	3280	.172	560	K,J,G
CC0402-019K	19.0	250	24	250	3040	.202	480	K,J,G
CC0402-023K	23.0	250	24	250	2720	.214	400	K,J,G
CC0402-027K	27.0	250	24	250	2480	.298	400	K,J,G
CC0402-036K	36.0	250	24	250	2320	.560	320	K,J,G
CC0402-040K	40.0	250	24	250	2240	.620	320	K,J,G
CC0402-047K	47.0	250	20	250	2100	.830	150	K,J,G



in. (mm)

**NOTES:**

- Operating temperature -40°C to +125°C
- Ceramic core, Terminations are Gold Plated Nickel
- Inductance and Q measured using the HP4291A
- SRF measured using the HP8753C

Suffix K = 10% Tolerance  
 J = 5%  
 G = 2%

**TAPE AND REEL SPECS:**

PCS/Reel maximum:	2000
Pitch between parts:	4mm
Tape width:	8mm
Reel diameter inches:	7

