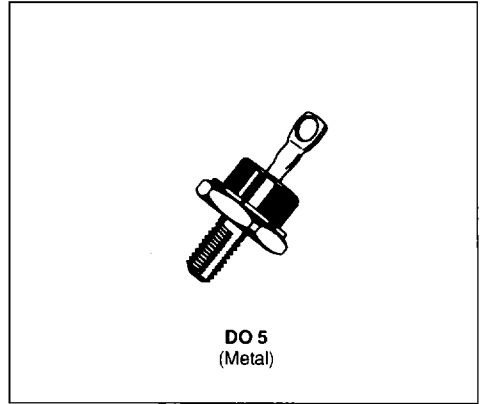


RECTIFIER DIODES

- STANDARD RECTIFIER
- HIGH SURGE CURRENT CAPABILITY
- LOW FORWARD VOLTAGE DROP



ABSOLUTE RATINGS (limiting values)

Symbol	Parameter	Value	Unit
$I_{F(AV)}$	Average Forward Current*	20	A
I_{FSM}	Surge non Repetitive Forward Current	450	A
P_{tot}	Power Dissipation*	25	W
T_{stg} T_j	Storage and Junction Temperature Range	- 55 to 175	°C

Symbol	Parameter	1N							RN		Unit
		248B	249B	250B	1195A	1196A	1197A	1198A	820	1120	
V_{RRM}	Repetitive Peak Reverse Voltage	50	100	200	300	400	500	600	800	1000	V

THERMAL RESISTANCE

Symbol	Parameter	Value	Unit
$R_{th(j-c)}$	Junction-case	1	°C/W

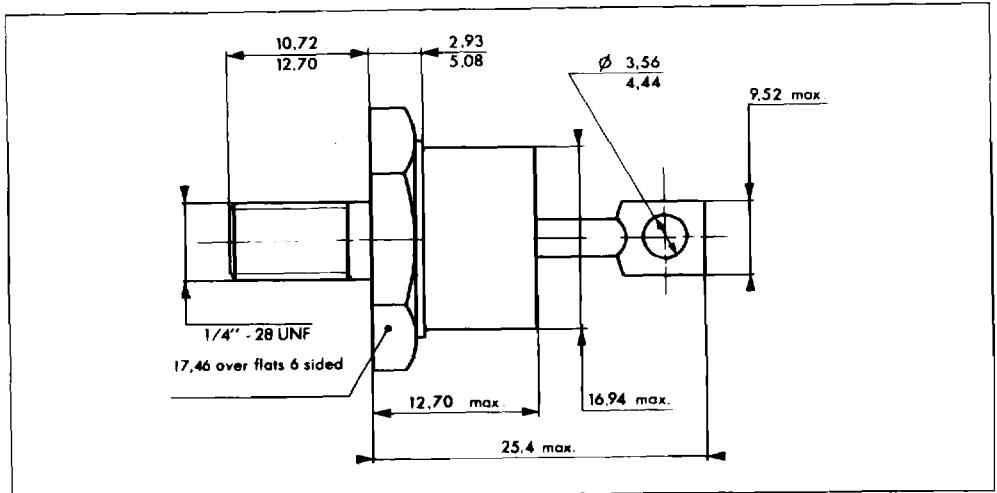
ELECTRICAL CHARACTERISTICS

Symbol	Test Conditions	Min.	Typ.	Max.	Unit
I_R	$T_j = 150^\circ\text{C}$ $V_R = V_{RRM}$			5	mA
V_F	$T_j = 25^\circ\text{C}$ $I_F = 70\text{A}$			1.5	V

* Single phase, half wave, resistive or inductive load

PACKAGE MECHANICAL DATA

DO 5 Metal



Cooling method : by conduction (method C)

Marking : Cathode connected to case : type number

Anode connected to case : type number + suffix R (consult us for these reverse version datasheets)

Weight : 18.84g

Recommended torque value : 250cm. N

Maximum torque value : 310cm. N