



## 256Mb DDR SDRAM

### Features

#### CAS Latency and Frequency

| CAS Latency | Maximum Operating Frequency (MHz)* |            |
|-------------|------------------------------------|------------|
|             | DDR333 6K/6KL                      | DDR266 75B |
| 2.5         | 166                                | 133        |
|             |                                    |            |

- Double data rate architecture: two data transfers per clock cycle
- Bidirectional data strobe (DQS) is transmitted and received with data, to be used in capturing data at the receiver
- DQS is edge-aligned with data for reads and is center-aligned with data for writes
- Differential clock inputs (CK and  $\overline{\text{CK}}$ )
- Four internal banks for concurrent operation
- Data mask (DM) for write data
- DLL aligns DQ and DQS transitions with CK transitions
- Commands entered on each positive CK edge; data and data mask referenced to both edges of DQS
- Burst lengths: 2, 4, or 8
- CAS Latency: 2.5
- Auto Precharge option for each burst access
- Auto Refresh and Self Refresh Modes
- 7.8 $\mu$ s Maximum Average Periodic Refresh Interval
- 2.5V (SSTL\_2 compatible) I/O
- $V_{\text{DDQ}} = 2.5V \pm 0.2V$
- $V_{\text{DD}} = 2.5V \pm 0.2V$
- Available in 6K, 6KL and 75B speed sorts
- 6KL sort has  $\text{IDD6} \leq 1.5\text{mA}$
- Available as Lead-free and Halogen-free products

### Description

The 256Mb DDR SDRAM is a high-speed CMOS, dynamic random-access memory containing 268,435,456 bits. It is internally configured as a quad-bank DRAM.

The 256Mb DDR SDRAM uses a double-data-rate architecture to achieve high-speed operation. The double data rate architecture is essentially a  $2n$  prefetch architecture with an interface designed to transfer two data words per clock cycle at the I/O pins. A single read or write access for the 256Mb DDR SDRAM effectively consists of a single  $2n$ -bit wide, one clock cycle data transfer at the internal DRAM core and two corresponding  $n$ -bit wide, one-half-clock-cycle data transfers at the I/O pins.

A bidirectional data strobe (DQS) is transmitted externally, along with data, for use in data capture at the receiver. DQS is a strobe transmitted by the DDR SDRAM during Reads and by the memory controller during Writes. DQS is edge-aligned with data for Reads and center-aligned with data for Writes.

The 256Mb DDR SDRAM operates from a differential clock (CK and  $\overline{\text{CK}}$ ; the crossing of CK going high and  $\overline{\text{CK}}$  going LOW is referred to as the positive edge of CK). Commands (address and control signals) are registered at every positive edge of CK. Input data is registered on both edges of DQS, and output data is referenced to both edges of DQS, as well as to both edges of CK.

Read and write accesses to the DDR SDRAM are burst oriented; accesses start at a selected location and continue for a programmed number of locations in a programmed sequence. Accesses begin with the registration of an Active command, which is then followed by a Read or Write command. The address bits registered coincident with the Active command are used to select the bank and row to be accessed. The address bits registered coincident with the Read or Write command are used to select the bank and the starting column location for the burst access.

The DDR SDRAM provides for programmable Read or Write burst lengths of 2, 4, or 8 locations. An Auto Precharge function may be enabled to provide a self-timed row precharge that is initiated at the end of the burst access.

As with standard SDRAMs, the pipelined, multibank architecture of DDR SDRAMs allows for concurrent operation, thereby providing high effective bandwidth by hiding row precharge and activation time.

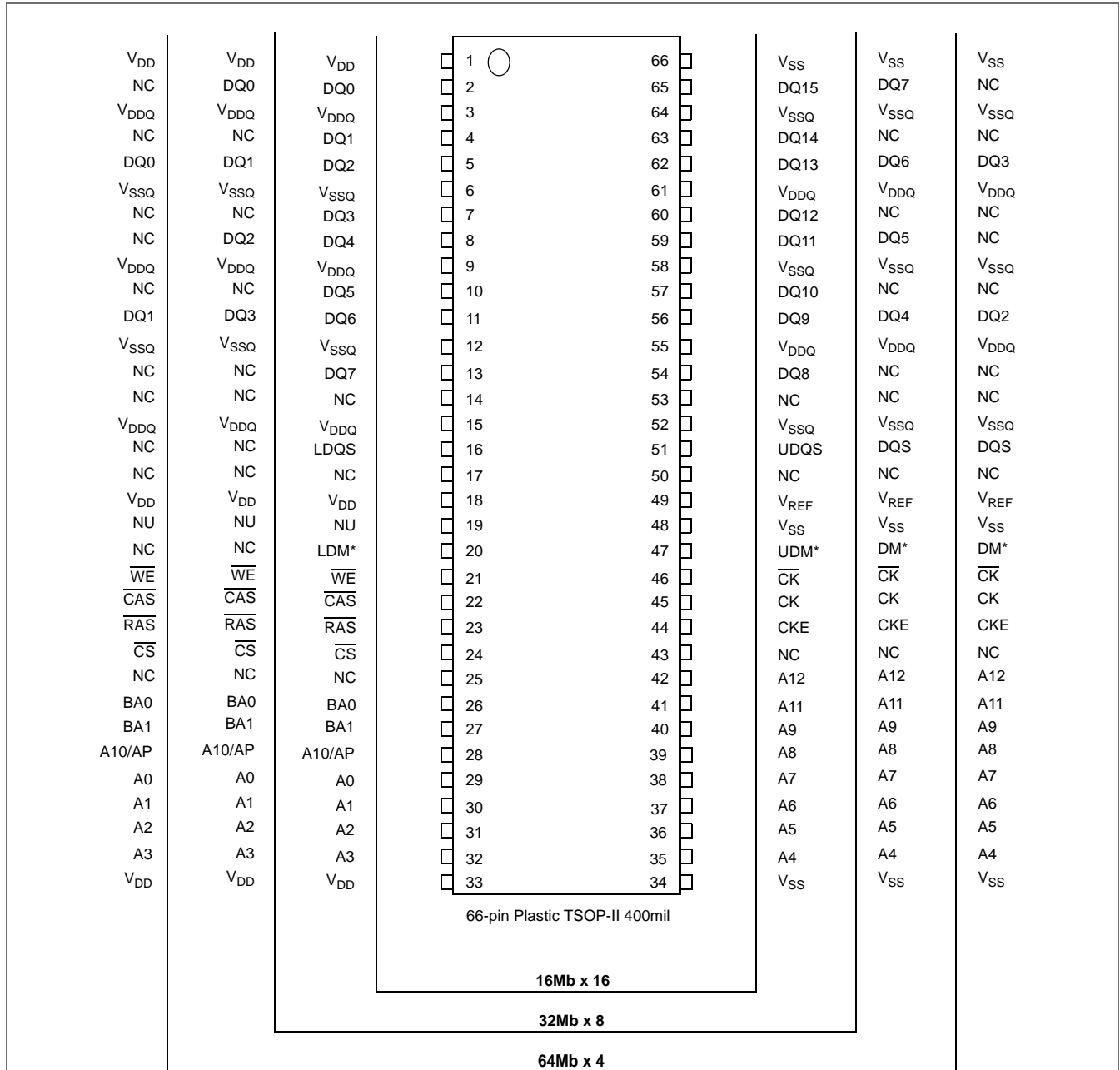
An auto refresh mode is provided along with a power-saving Power Down mode. All inputs are compatible with the JEDEC Standard for SSTL\_2. All outputs are SSTL\_2, Class II compatible.

**The functionality described and the timing specifications included in this data sheet are for the DLL Enabled mode of operation.**



**256Mb DDR SDRAM**

**Pin Configuration - 400mil TSOP II (x4 / x8 / x16)**



Column Address Table

| Organization | Column Address |
|--------------|----------------|
| 64Mb x 4     | A0-A9, A11     |
| 32Mb x 8     | A0-A9          |
| 16Mb x 16    | A0-A8          |

\*DM is internally loaded to match DQ and DQS identically.



**256Mb DDR SDRAM**

**Pin Configuration - 60 balls 0.8mmx1.0mm Pitch CSP Package**

<Top View >

See the balls through the package.

|      |      |     | 64 X 4 |     |        |      |
|------|------|-----|--------|-----|--------|------|
| 1    | 2    | 3   |        | 7   | 8      | 9    |
| VSSQ | NC   | VSS | A      | VDD | NC     | VDDQ |
| NC   | VDDQ | DQ3 | B      | DQ0 | VSSQ   | NC   |
| NC   | VSSQ | NC  | C      | NC  | VDDQ   | NC   |
| NC   | VDDQ | DQ2 | D      | DQ1 | VSSQ   | NC   |
| NC   | VSSQ | DQS | E      | QFC | VDDQ   | NC   |
| VREF | VSS  | DQM | F      | NC  | VDD    | NC   |
|      | CLK  | CLK | G      | WE  | CAS    |      |
|      | A12  | CKE | H      | RAS | CS     |      |
|      | A11  | A9  | J      | BA1 | BA0    |      |
|      | A8   | A7  | K      | A0  | A10/AP |      |
|      | A6   | A5  | L      | A2  | A1     |      |
|      | A4   | VSS | M      | VDD | A3     |      |

|      |      |     | 32 X 8 |     |        |      |
|------|------|-----|--------|-----|--------|------|
| 1    | 2    | 3   |        | 7   | 8      | 9    |
| VSSQ | DQ7  | VSS | A      | VDD | DQ0    | VDDQ |
| NC   | VDDQ | DQ6 | B      | DQ1 | VSSQ   | NC   |
| NC   | VSSQ | DQ5 | C      | DQ2 | VDDQ   | NC   |
| NC   | VDDQ | DQ4 | D      | DQ3 | VSSQ   | NC   |
| NC   | VSSQ | DQS | E      | QFC | VDDQ   | NC   |
| VREF | VSS  | DQM | F      | NC  | VDD    | NC   |
|      | CLK  | CLK | G      | WE  | CAS    |      |
|      | A12  | CKE | H      | RAS | CS     |      |
|      | A11  | A9  | J      | BA1 | BA0    |      |
|      | A8   | A7  | K      | A0  | A10/AP |      |
|      | A6   | A5  | L      | A2  | A1     |      |
|      | A4   | VSS | M      | VDD | A3     |      |

NT5DS64M4BT    NT5DS64M4BF    NT5DS64M4BS    NT5DS64M4BG  
 NT5DS32M8BT    NT5DS32M8BF    NT5DS32M8BS    NT5DS32M8BG  
 NT5DS16M16BT    NT5DS16M16BF    NT5DS16M16BS    NT5DS16M16BG

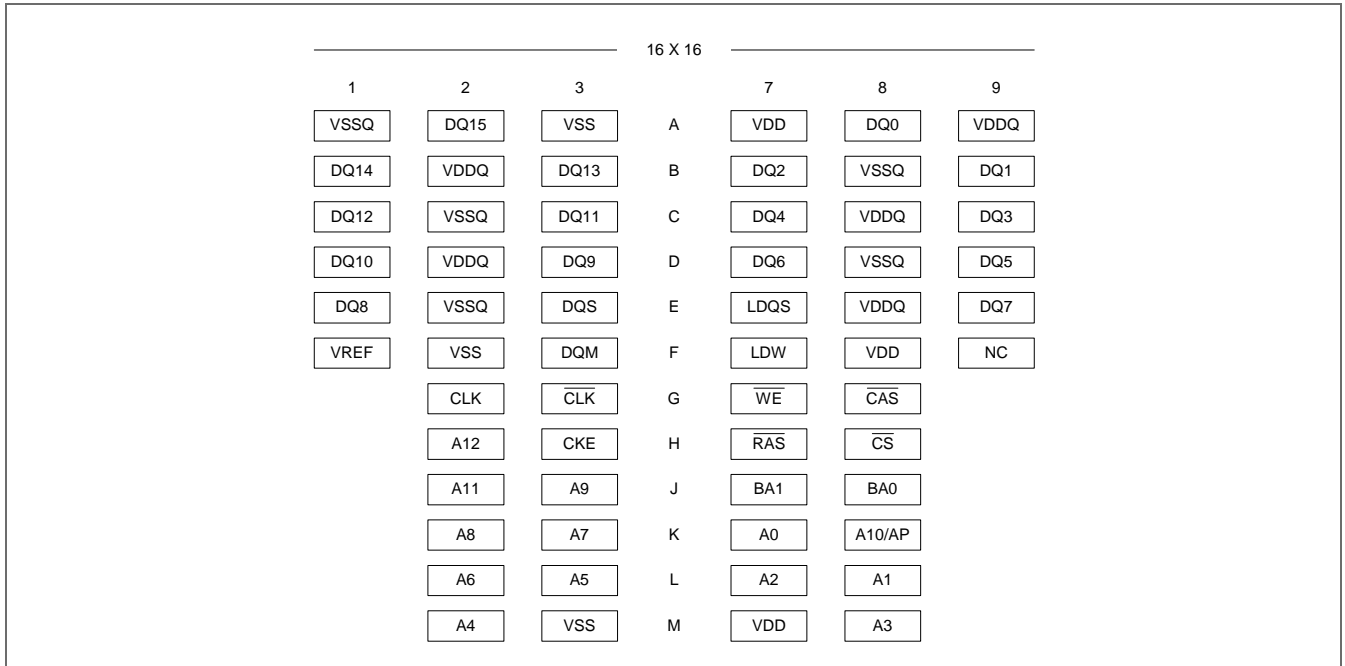


**256Mb DDR SDRAM**

**Pin Configuration - 60 balls 0.8mmx1.0mm Pitch CSP Package**

<Top View >

See the balls through the package.





## 256Mb DDR SDRAM

### Input/Output Functional Description

| Symbol  | Type         | Function  |
|---|--------------|---|
| CK, $\overline{CK}$                                   | Input        | <b>Clock:</b> CK and $\overline{CK}$ are differential clock inputs. All address and control input signals are sampled on the crossing of the positive edge of CK and negative edge of $\overline{CK}$ . Output (read) data is referenced to the crossings of CK and $\overline{CK}$ (both directions of crossing).  |
| CKE, CKE0, CKE1                                       | Input        | <b>Clock Enable:</b> CKE HIGH activates, and CKE Low deactivates, internal clock signals and device input buffers and output drivers. Taking CKE Low provides Precharge Power Down and Self Refresh operation (all banks idle), or Active Power Down (row Active in any bank). CKE is synchronous for power down entry and exit, and for self refresh entry. CKE is asynchronous for self refresh exit. $\overline{CKE}$ must be maintained high throughout read and write accesses. Input buffers, excluding CK, $\overline{CK}$ and CKE are disabled during Power Down. Input buffers, excluding CKE, are disabled during self refresh. The standard pinout includes one CKE pin. Optional pinouts might include CKE1 on a different pin, in addition to CKE0, to facilitate independent power down control of stacked devices. |
| $\overline{CS}$ , $\overline{CS0}$ , $\overline{CS1}$ | Input        | <b>Chip Select:</b> All commands are masked when $\overline{CS}$ is registered high. $\overline{CS}$ provides for external bank selection on systems with multiple banks. $\overline{CS}$ is considered part of the command code. The standard pinout includes one $\overline{CS}$ pin. Optional pinouts might include $\overline{CS1}$ on a different pin, in addition to $\overline{CS0}$ , to allow upper or lower deck selection on stacked devices.  |
| $\overline{RAS}$ , $\overline{CAS}$ , $\overline{WE}$ | Input        | <b>Command Inputs:</b> $\overline{RAS}$ , $\overline{CAS}$ and $\overline{WE}$ (along with $\overline{CS}$ ) define the command being entered.  |
| DM  | Input        | <b>Input Data Mask:</b> DM is an input mask signal for write data. Input data is masked when DM is sampled high coincident with that input data during a Write access. DM is sampled on both edges of DQS. Although DM pins are input only, the DM loading matches the DQ and DQS loading. During a Read, DM can be driven high, low, or floated.   |
| BA0, BA1  | Input        | <b>Bank Address Inputs:</b> BA0 and BA1 define to which bank an Active, Read, Write or Precharge command is being applied. BA0 and BA1 also determines if the mode register or extended mode register is to be accessed during a MRS or EMRS cycle.   |
| A0 - A12  | Input        | <b>Address Inputs:</b> Provide the row address for Active commands, and the column address and Auto Precharge bit for Read/Write commands, to select one location out of the memory array in the respective bank. A10 is sampled during a Precharge command to determine whether the Precharge applies to one bank (A10 low) or all banks (A10 high). If only one bank is to be precharged, the bank is selected by BA0, BA1. The address inputs also provide the op-code during a Mode Register Set command.   |
| DQ  | Input/Output | <b>Data Input/Output:</b> Data bus.   |
| DQS, LDQS, UDQS                                       | Input/Output | <b>Data Strobe:</b> Output with read data, input with write data. Edge-aligned with read data, centered in write data. Used to capture write data. For the x16, LDQS corresponds to the data on DQ0-DQ7; UDQS corresponds to the data on DQ8-DQ15   |
| NC  |              | <b>No Connect:</b> No internal electrical connection is present.  |
| NU  |              | Electrical connection is present. Should not be connected at second level of assembly.  |
| V <sub>DDQ</sub>                                      | Supply       | <b>DQ Power Supply:</b> 2.5V ± 0.2V.  |
| V <sub>SSQ</sub>                                      | Supply       | <b>DQ Ground</b>  |
| V <sub>DD</sub>                                       | Supply       | <b>Power Supply:</b> 2.5V ± 0.2V.   |
| V <sub>SS</sub>                                       | Supply       | <b>Ground</b>   |
| V <sub>REF</sub>                                      | Supply       | <b>SSTL_2 reference voltage:</b> (V <sub>DDQ</sub> / 2) ± 1%.   |



**256Mb DDR SDRAM**

**Ordering Information**

| Org.     | Part Number                   | Package   | Speed       |                                      |             |                                      | Comments         |
|----------|-------------------------------|---|-------------|--------------------------------------|-------------|--------------------------------------|------------------|
|          |                               |   | Clock (MHz) | CL-t <sub>RCD</sub> -t <sub>RP</sub> | Clock (MHz) | CL-t <sub>RCD</sub> -t <sub>RP</sub> |                  |
| 64M x 4  | NT5DS64M4BT-6K                | 66 pin TSOP-II  | 166         | 2.5-3-3                              | 133         | 2-3-3                                | DDR333           |
|          | NT5DS64M4BT-75B               |   | 133         | 2.5-3-3                              | 100         | 2-2-2                                | DDR266           |
|          | NT5DS64M4BF-6K                | 60ball BGA<br>0.8mmx1.0mm<br>Pitch                      | 166         | 2.5-3-3                              | 133         | 2-3-3                                | DDR333           |
|          | NT5DS64M4BF-75B               |   | 133         | 2.5-3-3                              | 100         | 2-2-2                                | DDR266           |
| 32M x 8  | NT5DS32M8BT-6K                | 66 pin TSOP-II  | 166         | 2.5-3-3                              | 133         | 2-3-3                                | DDR333           |
|          | NT5DS32M8BT-6KL               |   |             |                                      |             |                                      | DDR333, Low IDD6 |
|          | NT5DS32M8BT-75B               |   | 133         | 2.5-3-3                              | 100         | 2-2-2                                | DDR266           |
|          | NT5DS32M8BF-6K                | 60ball BGA<br>0.8mmx1.0mm<br>Pitch                      | 166         | 2.5-3-3                              | 133         | 2-3-3                                | DDR333           |
|          | NT5DS32M8BF-75B               |   | 133         | 2.5-3-3                              | 100         | 2-2-2                                | DDR266           |
| 16M x 16 | NT5DS16M16BT-6K               | 66 pin TSOP-II  | 166         | 2.5-3-3                              | 133         | 2-3-3                                | DDR333           |
|          | NT5DS16M16BT-6KL              |   |             |                                      |             |                                      | DDR333, Low IDD6 |
|          | NT5DS16M16BT-75B              |   | 133         | 2.5-3-3                              | 100         | 2-2-2                                | DDR266           |
|          | NT5DS16M16BF-6K               | 60ball BGA<br>0.8mmx1.0mm<br>Pitch                      | 166         | 2.5-3-3                              | 133         | 2-3-3                                | DDR333           |
|          | NT5DS16M16BF-75B              |   | 133         | 2.5-3-3                              | 100         | 2-2-2                                | DDR266           |
| 64M x 4  | NT5DS64M4BS-6K <sup>1</sup>   | 66 pin TSOP-II<br>(Green packaging)                     | 166         | 2.5-3-3                              | 133         | 2-3-3                                | DDR333           |
|          | NT5DS64M4BS-75B <sup>1</sup>  |   | 133         | 2.5-3-3                              | 100         | 2-2-2                                | DDR266           |
|          | NT5DS64M4BG-6K <sup>1</sup>   | 60ball BGA<br>0.8mmx1.0mm<br>Pitch<br>(Green packaging) | 166         | 2.5-3-3                              | 133         | 2-3-3                                | DDR333           |
|          | NT5DS64M4BG-75B <sup>1</sup>  |   | 133         | 2.5-3-3                              | 100         | 2-2-2                                | DDR266           |
| 32M x 8  | NT5DS32M8BS-6K <sup>1</sup>   | 66 pin TSOP-II<br>(Green packaging)                     | 166         | 2.5-3-3                              | 133         | 2-3-3                                | DDR333           |
|          | NT5DS32M8BS-6KL <sup>1</sup>  |   |             |                                      |             |                                      | DDR333, Low IDD6 |
|          | NT5DS32M8BS-75B <sup>1</sup>  |   | 133         | 2.5-3-3                              | 100         | 2-2-2                                | DDR266           |
|          | NT5DS32M8BG-6K <sup>1</sup>   | 60ball BGA<br>0.8mmx1.0mm<br>Pitch<br>(Green packaging) | 166         | 2.5-3-3                              | 133         | 2-3-3                                | DDR333           |
|          | NT5DS32M8BG-75B <sup>1</sup>  |   | 133         | 2.5-3-3                              | 100         | 2-2-2                                | DDR266           |
| 16M x 16 | NT5DS16M16BS-6K <sup>1</sup>  | 66 pin TSOP-II<br>(Green packaging)                     | 166         | 2.5-3-3                              | 133         | 2-3-3                                | DDR333           |
|          | NT5DS16M16BS-6KL <sup>1</sup> |   |             |                                      |             |                                      | DDR333, Low IDD6 |
|          | NT5DS16M16BS-75B <sup>1</sup> |   | 133         | 2.5-3-3                              | 100         | 2-2-2                                | DDR266           |
|          | NT5DS16M16BG-6K <sup>1</sup>  | 60ball BGA<br>0.8mmx1.0mm<br>Pitch<br>(Green packaging) | 166         | 2.5-3-3                              | 133         | 2-3-3                                | DDR333           |
|          | NT5DS16M16BG-75B <sup>1</sup> |   | 133         | 2.5-3-3                              | 100         | 2-2-2                                | DDR266           |

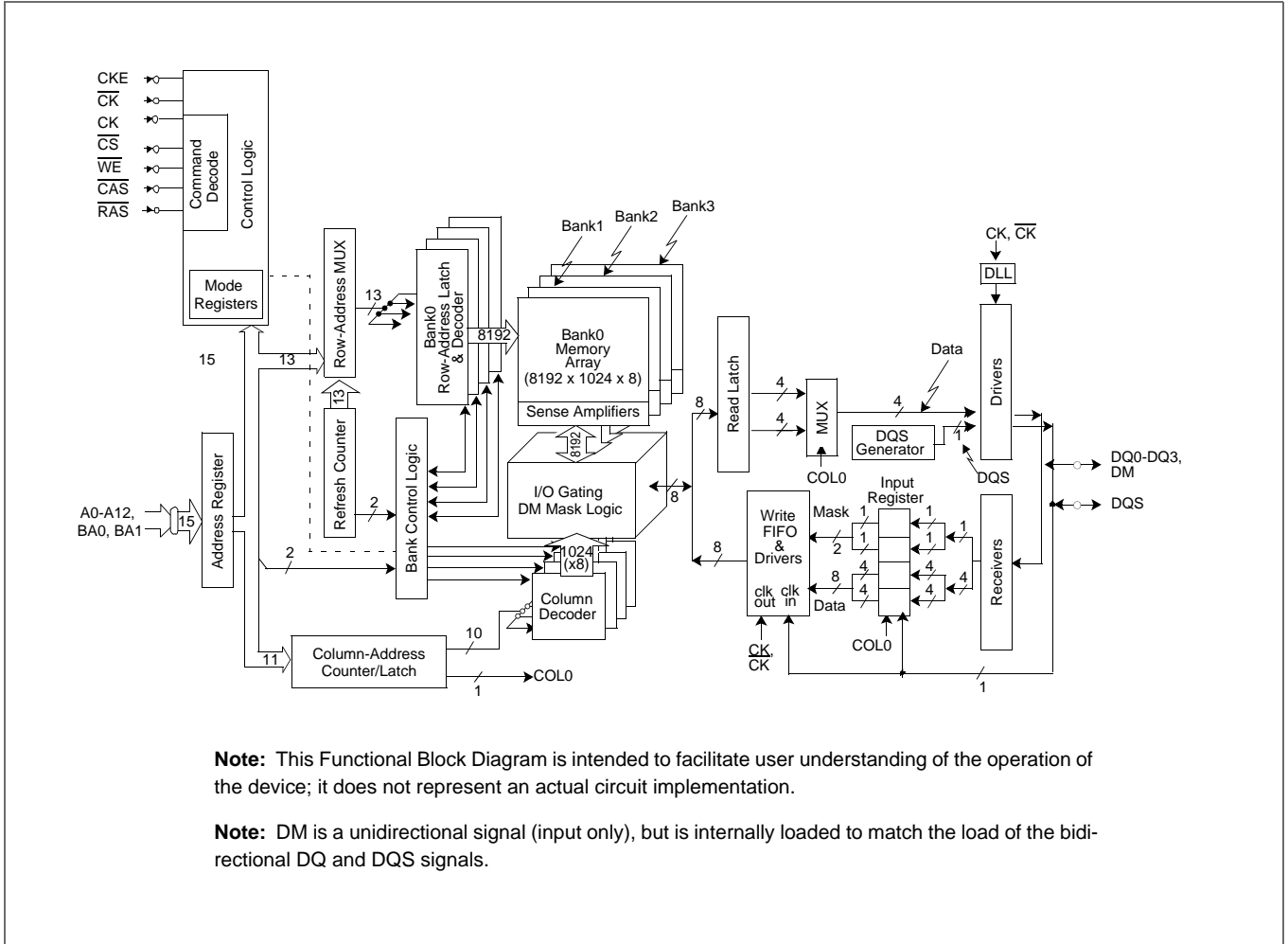
Note:

1. Lead-free and Halogen-free product

At the present time, there are no plans to support DDR SDRAMs with the  $\overline{QFC}$  function. All reference to  $\overline{QFC}$  are for information only

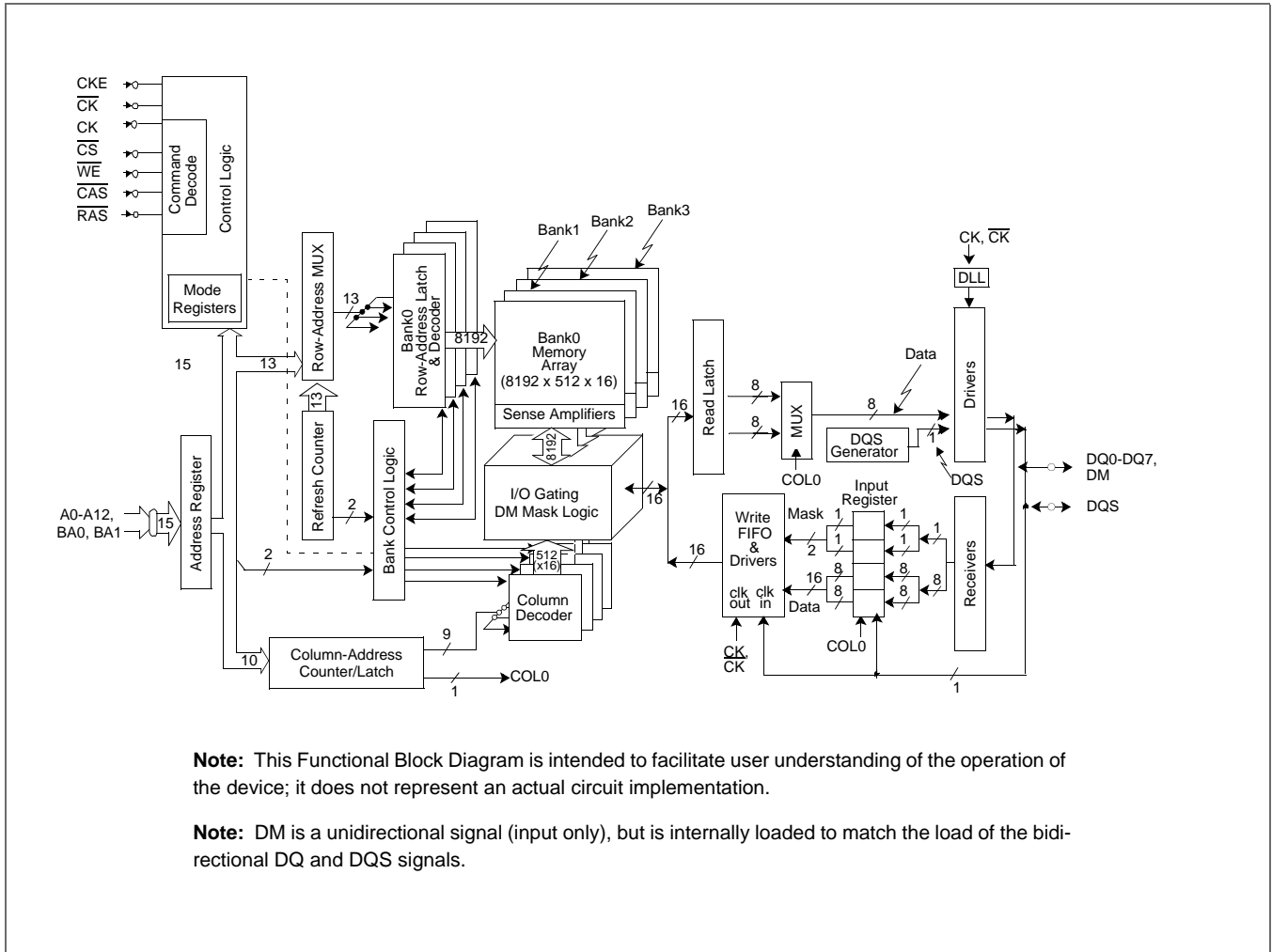
## 256Mb DDR SDRAM

### Block Diagram (64Mb x 4)



256Mb DDR SDRAM

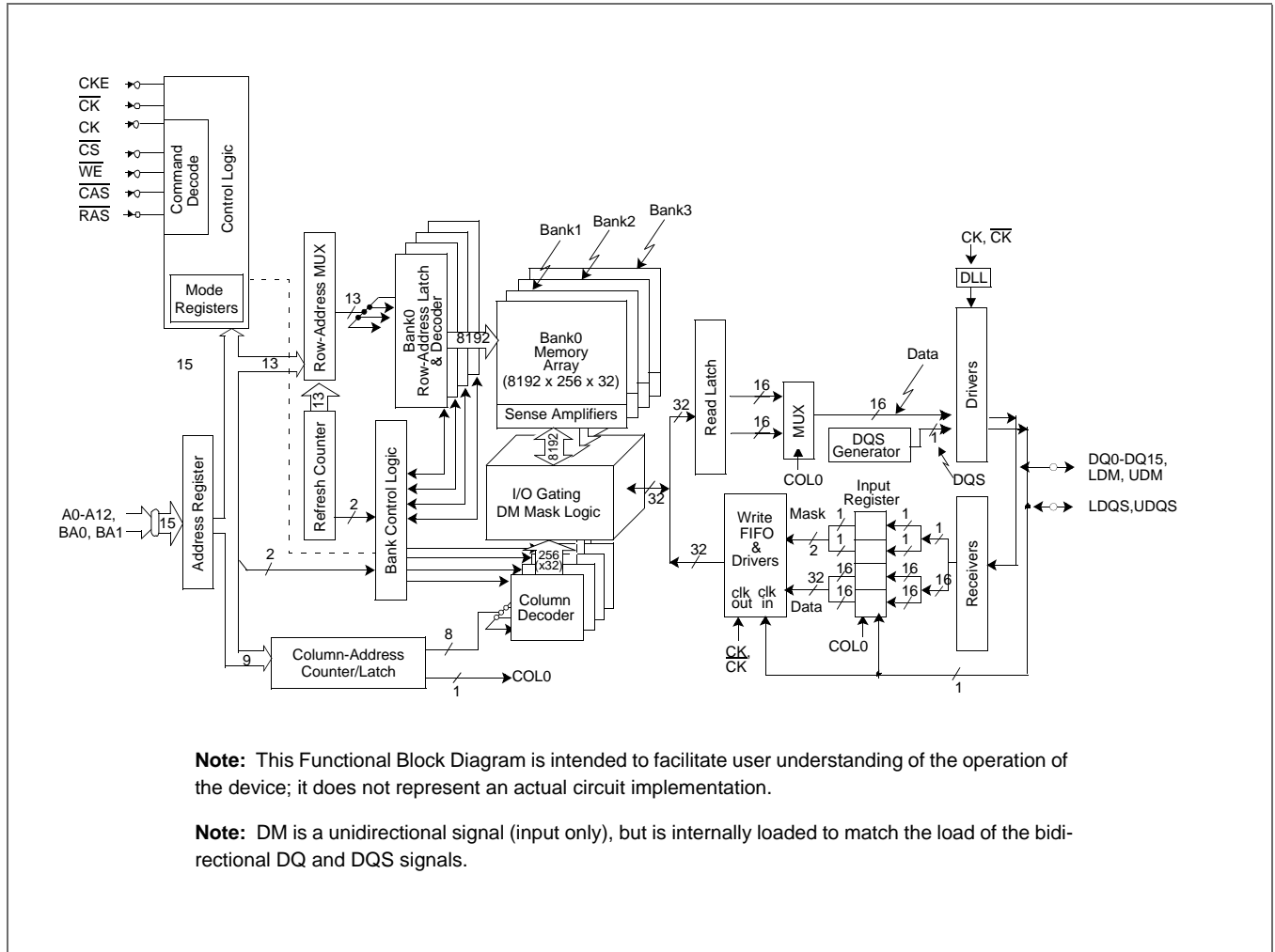
Block Diagram (32Mb x 8)





**256Mb DDR SDRAM**

**Block Diagram (16Mb x 16)**





## 256Mb DDR SDRAM

---

### Functional Description

The 256Mb DDR SDRAM is a high-speed CMOS, dynamic random-access memory containing 268, 435, 456 bits. The 256Mb DDR SDRAM is internally configured as a quad-bank DRAM.

The 256Mb DDR SDRAM uses a double-data-rate architecture to achieve high-speed operation. The double-data-rate architecture is essentially a  $2n$  prefetch architecture, with an interface designed to transfer two data words per clock cycle at the I/O pins. A single read or write access for the 256Mb DDR SDRAM consists of a single  $2n$ -bit wide, one clock cycle data transfer at the internal DRAM core and two corresponding  $n$ -bit wide, one-half clock cycle data transfers at the I/O pins.

Read and write accesses to the DDR SDRAM are burst oriented; accesses start at a selected location and continue for a programmed number of locations in a programmed sequence. Accesses begin with the registration of an Active command, which is then followed by a Read or Write command. The address bits registered coincident with the Active command are used to select the bank and row to be accessed (BA0, BA1 select the bank; A0-A12 select the row). The address bits registered coincident with the Read or Write command are used to select the starting column location for the burst access.

Prior to normal operation, the DDR SDRAM must be initialized. The following sections provide detailed information covering device initialization, register definition, command descriptions and device operation.

### Initialization

Only one of the following two conditions must be met.

- No power sequencing is specified during power up or power down given the following criteria:
  - VDD and VDDQ are driven from a single power converter output
  - VTT meets the specification
  - A minimum resistance of 42 ohms limits the input current from the VTT supply into any pin and
  - VREF tracks VDDQ /2

or

- The following relationships must be followed:
  - VDDQ is driven after or with VDD such that  $VDDQ < VDD + 0.3V$
  - VTT is driven after or with VDDQ such that  $VTT < VDDQ + 0.3V$
  - VREF is driven after or with VDDQ such that  $VREF < VDDQ + 0.3V$

The DQ and DQS outputs are in the High-Z state, where they remain until driven in normal operation (by a read access). After all power supply and reference voltages are stable, and the clock is stable, the DDR SDRAM requires a 200 $\mu$ s delay prior to applying an executable command.

Once the 200 $\mu$ s delay has been satisfied, a Deselect or NOP command should be applied, and CKE must be brought HIGH. Following the NOP command, a Precharge ALL command must be applied. Next a Mode Register Set command must be issued for the Extended Mode Register, to enable the DLL, then a Mode Register Set command must be issued for the Mode Register, to reset the DLL, and to program the operating parameters. 200 clock cycles are required between the DLL reset and any read command. A Precharge ALL command should be applied, placing the device in the "all banks idle" state

Once in the idle state, two auto refresh cycles must be performed. Additionally, a Mode Register Set command for the Mode Register, with the reset DLL bit deactivated (i.e. to program operating parameters without resetting the DLL) must be performed. Following these cycles, the DDR SDRAM is ready for normal operation.

DDR SDRAM's may be reinitialized at any time during normal operation by asserting a valid MRS command to either the base or extended mode registers without affecting the contents of the memory array. The contents of either the mode register or extended mode register can be modified at any valid time during device operation without affecting the state of the internal address refresh counters used for device refresh.

NT5DS64M4BT    NT5DS64M4BF    NT5DS64M4BS    NT5DS64M4BG  
NT5DS32M8BT    NT5DS32M8BF    NT5DS32M8BS    NT5DS32M8BG  
NT5DS16M16BT    NT5DS16M16BF    NT5DS16M16BS    NT5DS16M16BG



## 256Mb DDR SDRAM

---

### Register Definition

#### Mode Register

The Mode Register is used to define the specific mode of operation of the DDR SDRAM. This definition includes the selection of a burst length, a burst type, a CAS latency, and an operating mode. The Mode Register is programmed via the Mode Register Set command (with BA0 = 0 and BA1 = 0) and retains the stored information until it is programmed again or the device loses power (except for bit A8, which is self-clearing).

Mode Register bits A0-A2 specify the burst length, A3 specifies the type of burst (sequential or interleaved), A4-A6 specify the CAS latency, and A7-A12 specify the operating mode.

The Mode Register must be loaded when all banks are idle, and the controller must wait the specified time before initiating the subsequent operation. Violating either of these requirements results in unspecified operation.

#### Burst Length

Read and write accesses to the DDR SDRAM are burst oriented, with the burst length being programmable. The burst length determines the maximum number of column locations that can be accessed for a given Read or Write command. Burst lengths of 2, 4, or 8 locations are available for both the sequential and the interleaved burst types.

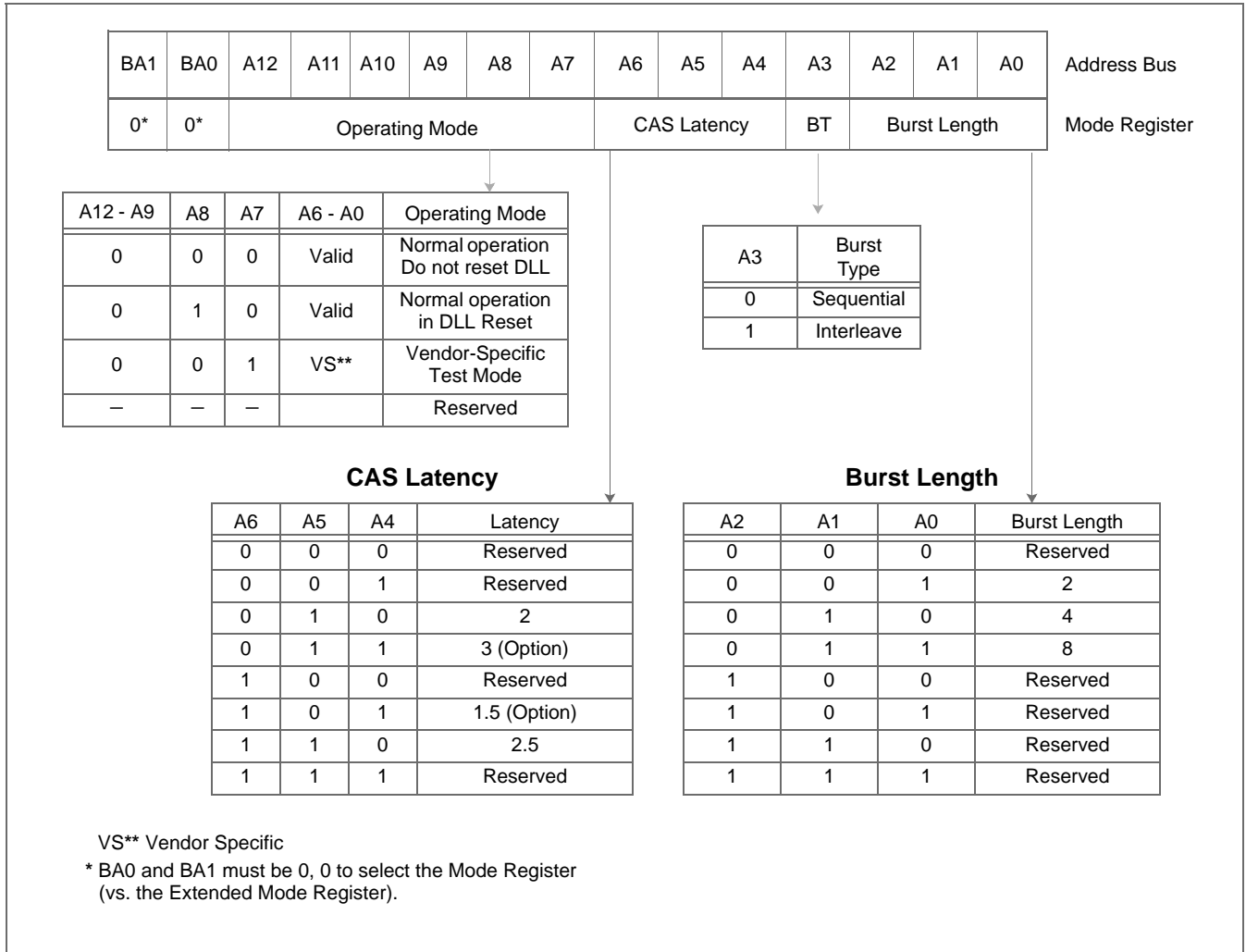
Reserved states should not be used, as unknown operation or incompatibility with future versions may result.

When a Read or Write command is issued, a block of columns equal to the burst length is effectively selected. All accesses for that burst take place within this block, meaning that the burst wraps within the block if a boundary is reached. The block is uniquely selected by A1-Ai when the burst length is set to two, by A<sub>2</sub>-Ai when the burst length is set to four and by A<sub>3</sub>-Ai when the burst length is set to eight (where Ai is the most significant column address bit for a given configuration). The remaining (least significant) address bit(s) is (are) used to select the starting location within the block. The programmed burst length applies to both Read and Write bursts.



**256Mb DDR SDRAM**

**Mode Register Operation**





## 256Mb DDR SDRAM

### Burst Definition

| Burst Length | Starting Column Address |    |    | Order of Accesses Within a Burst |                    |
|--------------|-------------------------|----|----|----------------------------------|--------------------|
|              | A2                      | A1 | A0 | Type = Sequential                | Type = Interleaved |
| 2            |                         |    | 0  | 0-1                              | 0-1                |
|              |                         |    | 1  | 1-0                              | 1-0                |
| 4            |                         | 0  | 0  | 0-1-2-3                          | 0-1-2-3            |
|              |                         | 0  | 1  | 1-2-3-0                          | 1-0-3-2            |
|              |                         | 1  | 0  | 2-3-0-1                          | 2-3-0-1            |
|              |                         | 1  | 1  | 3-0-1-2                          | 3-2-1-0            |
| 8            | 0                       | 0  | 0  | 0-1-2-3-4-5-6-7                  | 0-1-2-3-4-5-6-7    |
|              | 0                       | 0  | 1  | 1-2-3-4-5-6-7-0                  | 1-0-3-2-5-4-7-6    |
|              | 0                       | 1  | 0  | 2-3-4-5-6-7-0-1                  | 2-3-0-1-6-7-4-5    |
|              | 0                       | 1  | 1  | 3-4-5-6-7-0-1-2                  | 3-2-1-0-7-6-5-4    |
|              | 1                       | 0  | 0  | 4-5-6-7-0-1-2-3                  | 4-5-6-7-0-1-2-3    |
|              | 1                       | 0  | 1  | 5-6-7-0-1-2-3-4                  | 5-4-7-6-1-0-3-2    |
|              | 1                       | 1  | 0  | 6-7-0-1-2-3-4-5                  | 6-7-4-5-2-3-0-1    |
|              | 1                       | 1  | 1  | 7-0-1-2-3-4-5-6                  | 7-6-5-4-3-2-1-0    |

#### Notes:

1. For a burst length of two, A1-A<sub>i</sub> selects the two-data-element block; A0 selects the first access within the block.
2. For a burst length of four, A2-A<sub>i</sub> selects the four-data-element block; A0-A1 selects the first access within the block.
3. For a burst length of eight, A3-A<sub>i</sub> selects the eight-data-element block; A0-A2 selects the first access within the block.
4. Whenever a boundary of the block is reached within a given sequence above, the following access wraps within the block.

#### Burst Type

Accesses within a given burst may be programmed to be either sequential or interleaved; this is referred to as the burst type and is selected via bit A3. The ordering of accesses within a burst is determined by the burst length, the burst type and the starting column address, as shown in *Burst Definition* on page 13.

#### Read Latency

The Read latency, or CAS latency, is the delay, in clock cycles, between the registration of a Read command and the availability of the first burst of output data. The latency can be programmed 2 or 2.5 clocks.

If a Read command is registered at clock edge  $n$ , and the latency is  $m$  clocks, the data is available nominally coincident with clock edge  $n + m$ .

Reserved states should not be used as unknown operation or incompatibility with future versions may result.



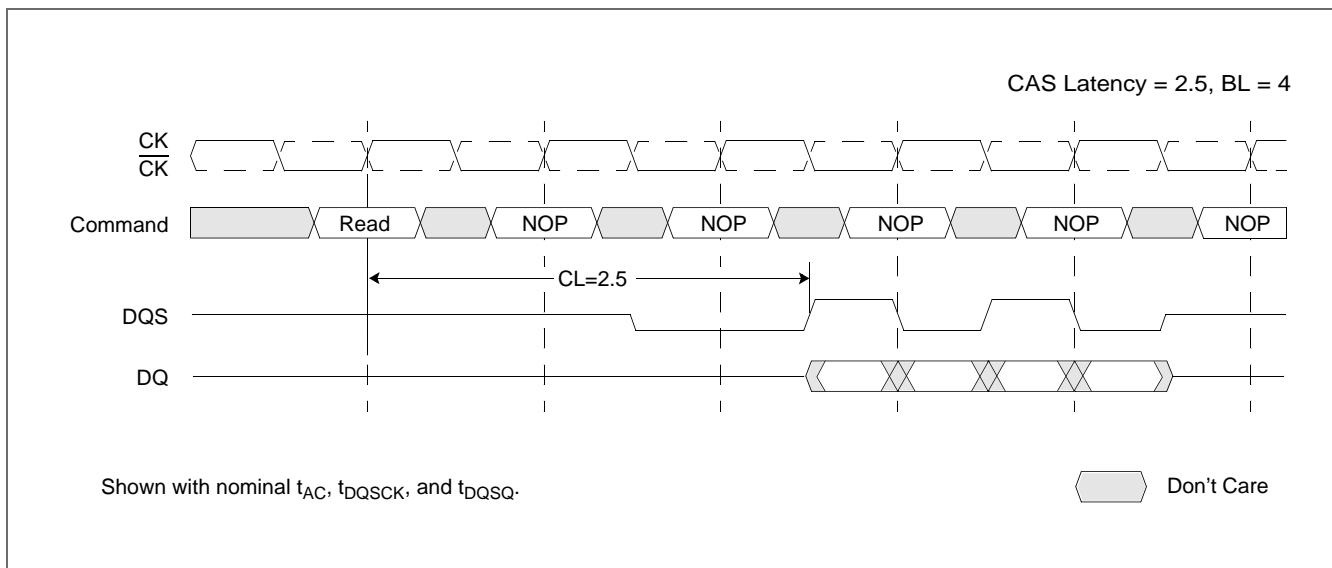
## 256Mb DDR SDRAM

### Operating Mode

The normal operating mode is selected by issuing a Mode Register Set Command with bits A7-A12 to zero, and bits A0-A6 set to the desired values. A DLL reset is initiated by issuing a Mode Register Set command with bits A7 and A9-A12 each set to zero, bit A8 set to one, and bits A0-A6 set to the desired values. A Mode Register Set command issued to reset the DLL should always be followed by a Mode Register Set command to select normal operating mode.

All other combinations of values for A7-A12 are reserved for future use and/or test modes. Test modes and reserved states should not be used as unknown operation or incompatibility with future versions may result.

### CAS Latencies



NT5DS64M4BT    NT5DS64M4BF    NT5DS64M4BS    NT5DS64M4BG  
NT5DS32M8BT    NT5DS32M8BF    NT5DS32M8BS    NT5DS32M8BG  
NT5DS16M16BT    NT5DS16M16BF    NT5DS16M16BS    NT5DS16M16BG



## 256Mb DDR SDRAM

---

### Extended Mode Register

The Extended Mode Register controls functions beyond those controlled by the Mode Register; these additional functions include DLL enable/disable, bit A0; output drive strength selection, bit A1; and  $\overline{QFC}$  output enable/disable, bit A2 (NTC optional). These functions are controlled via the bit settings shown in the Extended Mode Register Definition. The Extended Mode Register is programmed via the Mode Register Set command (with BA0 = 1 and BA1 = 0) and retains the stored information until it is programmed again or the device loses power. The Extended Mode Register must be loaded when all banks are idle, and the controller must wait the specified time before initiating any subsequent operation. Violating either of these requirements result in unspecified operation.

### DLL Enable/Disable

The DLL must be enabled for normal operation. DLL enable is required during power up initialization, and upon returning to normal operation after having disabled the DLL for the purpose of debug or evaluation. The DLL is automatically disabled when entering self refresh operation and is automatically re-enabled upon exit of self refresh operation. Any time the DLL is enabled, 200 clock cycles must occur to allow time for the internal clock to lock to the externally applied clock before a Read command can be issued. This is the reason for introducing timing parameter  $t_{XSRD}$  for DDR SDRAM's (Exit Self Refresh to Read Command). Non- Read commands can be issued 2 clocks after the DLL is enabled via the EMRS command ( $t_{MRD}$ ) or 10 clocks after the DLL is enabled via self refresh exit command ( $t_{XSNR}$ , Exit Self Refresh to Non-Read Command).

### Output Drive Strength

The normal drive strength for all outputs is specified to be SSTL\_2, Class II.

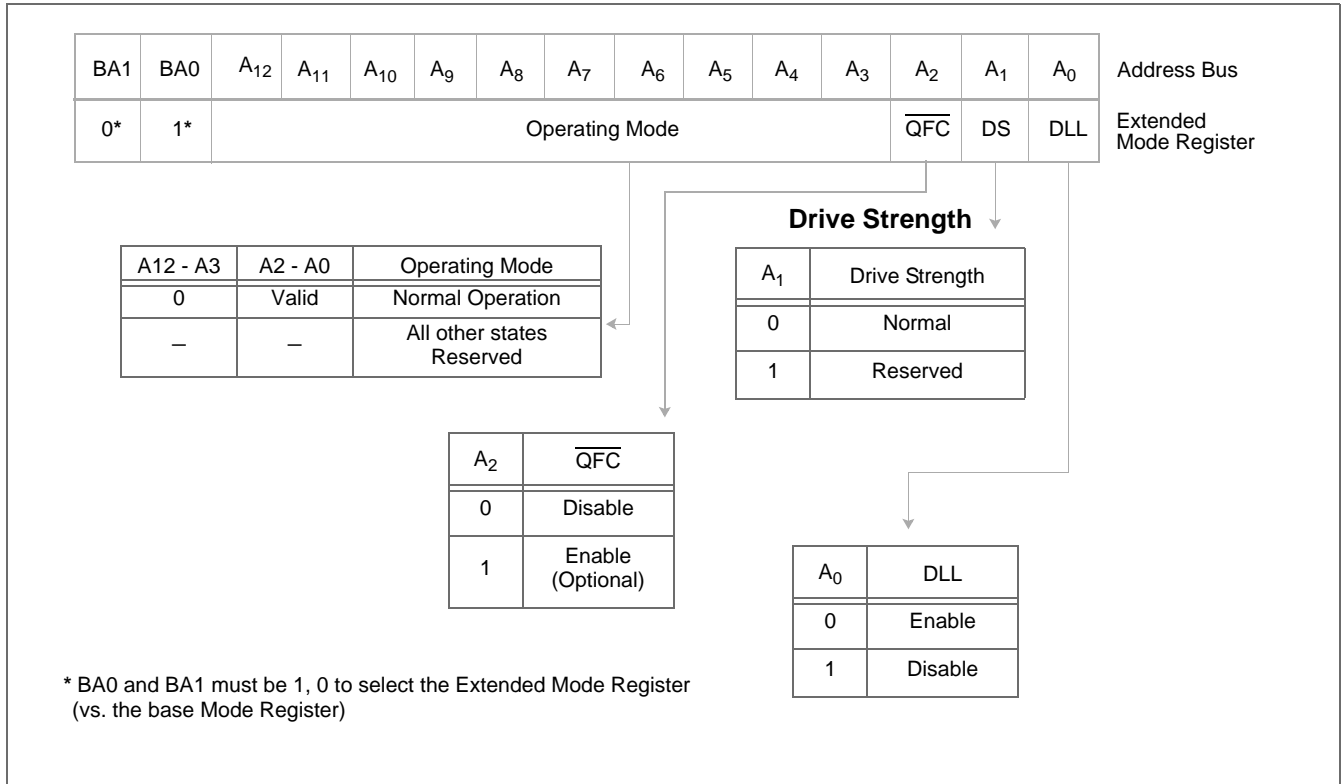
### $\overline{QFC}$ Enable/Disable

The  $\overline{QFC}$  signal is an optional DRAM output control used to isolate module loads (DIMMs) from the system memory bus by means of external FET switches when the given module (DIMM) is not being accessed. The  $\overline{QFC}$  function is an optional feature for NANYA and is not included on all DDR SDRAM devices.



**256Mb DDR SDRAM**

**Extended Mode Register Definition**







## 256Mb DDR SDRAM

### Commands

Truth Tables 1a and 1b provide a reference of the commands supported by DDR SDRAM devices. A verbal description of each commands follows.

#### Truth Table 1a: Commands

| Name (Function)  | $\overline{CS}$ | $\overline{RAS}$ | $\overline{CAS}$ | $\overline{WE}$ | Address  | MNE     | Notes   |
|--|-----------------|------------------|------------------|-----------------|----------|---------|---------|
| Deselect (Nop)   | H               | X                | X                | X               | X        | NOP     | 1, 9    |
| No Operation (Nop)                                     | L               | H                | H                | H               | X        | NOP     | 1, 9    |
| Active (Select Bank And Activate Row)                  | L               | L                | H                | H               | Bank/Row | ACT     | 1, 3    |
| Read (Select Bank And Column, And Start Read Burst)    | L               | H                | L                | H               | Bank/Col | Read    | 1, 4    |
| Write (Select Bank And Column, And Start Write Burst)  | L               | H                | L                | L               | Bank/Col | Write   | 1, 4    |
| Burst Terminate  | L               | H                | H                | L               | X        | BST     | 1, 8    |
| Precharge (Deactivate Row In Bank Or Banks)            | L               | L                | H                | L               | Code     | PRE     | 1, 5    |
| Auto Refresh Or Self Refresh (Enter Self Refresh Mode) | L               | L                | L                | H               | X        | AR / SR | 1, 6, 7 |
| Mode Register Set                                      | L               | L                | L                | L               | Op-Code  | MRS     | 1, 2    |

1. CKE is high for all commands shown except Self Refresh.
2. BA0, BA1 select either the Base or the Extended Mode Register (BA0 = 0, BA1 = 0 selects Mode Register; BA0 = 1, BA1 = 0 selects Extended Mode Register; other combinations of BA0-BA1 are reserved; A0-A12 provide the op-code to be written to the selected Mode Register.)
3. BA0-BA1 provide bank address and A0-A12 provide row address.
4. BA0, BA1 provide bank address; A0-A<sub>i</sub> provide column address (where  $i = 9$  for x8 and 9, 11 for x4); A10 high enables the Auto Precharge feature (non-persistent), A10 low disables the Auto Precharge feature.
5. A10 LOW: BA0, BA1 determine which bank is precharged.  
A10 HIGH: all banks are precharged and BA0, BA1 are "Don't Care."
6. This command is auto refresh if CKE is high; Self Refresh if CKE is low.
7. Internal refresh counter controls row and bank addressing; all inputs and I/Os are "Don't Care" except for CKE.
8. Applies only to read bursts with Auto Precharge disabled; this command is undefined (and should not be used) for read bursts with Auto Precharge enabled or for write bursts
9. Deselect and NOP are functionally interchangeable.

#### Truth Table 1b: DM Operation

| Name (Function) | DM | DQs   | Notes |
|-----------------|----|-------|-------|
| Write Enable    | L  | Valid | 1     |
| Write Inhibit   | H  | X     | 1     |

1. Used to mask write data; provided coincident with the corresponding data.



## 256Mb DDR SDRAM

---

### Deselect

The Deselect function prevents new commands from being executed by the DDR SDRAM. The DDR SDRAM is effectively deselected. Operations already in progress are not affected.

### No Operation (NOP)

The No Operation (NOP) command is used to perform a NOP to a DDR SDRAM. This prevents unwanted commands from being registered during idle or wait states. Operations already in progress are not affected.

### Mode Register Set

The mode registers are loaded via inputs A0-A12, BA0 and BA1 while issuing the Mode Register Set Command. See mode register descriptions in the Register Definition section. The Mode Register Set command can only be issued when all banks are idle and no bursts are in progress. A subsequent executable command cannot be issued until  $t_{MRD}$  is met.

### Active

The Active command is used to open (or activate) a row in a particular bank for a subsequent access. The value on the BA0, BA1 inputs selects the bank, and the address provided on inputs A0-A12 selects the row. This row remains active (or open) for accesses until a Precharge (or Read or Write with Auto Precharge) is issued to that bank. A Precharge (or Read or Write with Auto Precharge) command must be issued and completed before opening a different row in the same bank.

### Read

The Read command is used to initiate a burst read access to an active (open) row. The value on the BA0, BA1 inputs selects the bank, and the address provided on inputs A0-Ai, Aj (where [i = 9, j = don't care] for x8; where [i = 9, j = 11] for x4) selects the starting column location. The value on input A10 determines whether or not Auto Precharge is used. If Auto Precharge is selected, the row being accessed is precharged at the end of the Read burst; if Auto Precharge is not selected, the row remains open for subsequent accesses.

### Write

The Write command is used to initiate a burst write access to an active (open) row. The value on the BA0, BA1 inputs selects the bank, and the address provided on inputs A0-Ai, Aj (where [i = 9, j = don't care] for x8; where [i = 9, j = 11] for x4) selects the starting column location. The value on input A10 determines whether or not Auto Precharge is used. If Auto Precharge is selected, the row being accessed is precharged at the end of the Write burst; if Auto Precharge is not selected, the row remains open for subsequent accesses. Input data appearing on the DQs is written to the memory array subject to the DM input logic level appearing coincident with the data. If a given DM signal is registered low, the corresponding data is written to memory; if the DM signal is registered high, the corresponding data inputs are ignored, and a Write is not executed to that byte/column location.

### Precharge

The Precharge command is used to deactivate (close) the open row in a particular bank or the open row(s) in all banks. The bank(s) will be available for a subsequent row access a specified time ( $t_{RP}$ ) after the Precharge command is issued. Input A10 determines whether one or all banks are to be precharged, and in the case where only one bank is to be precharged, inputs BA0, BA1 select the bank. Otherwise BA0, BA1 are treated as "Don't Care." Once a bank has been precharged, it is in the idle state and must be activated prior to any Read or Write commands being issued to that bank. A precharge command is treated as a NOP if there is no open row in that bank, or if the previously open row is already in the process of precharging.



## 256Mb DDR SDRAM

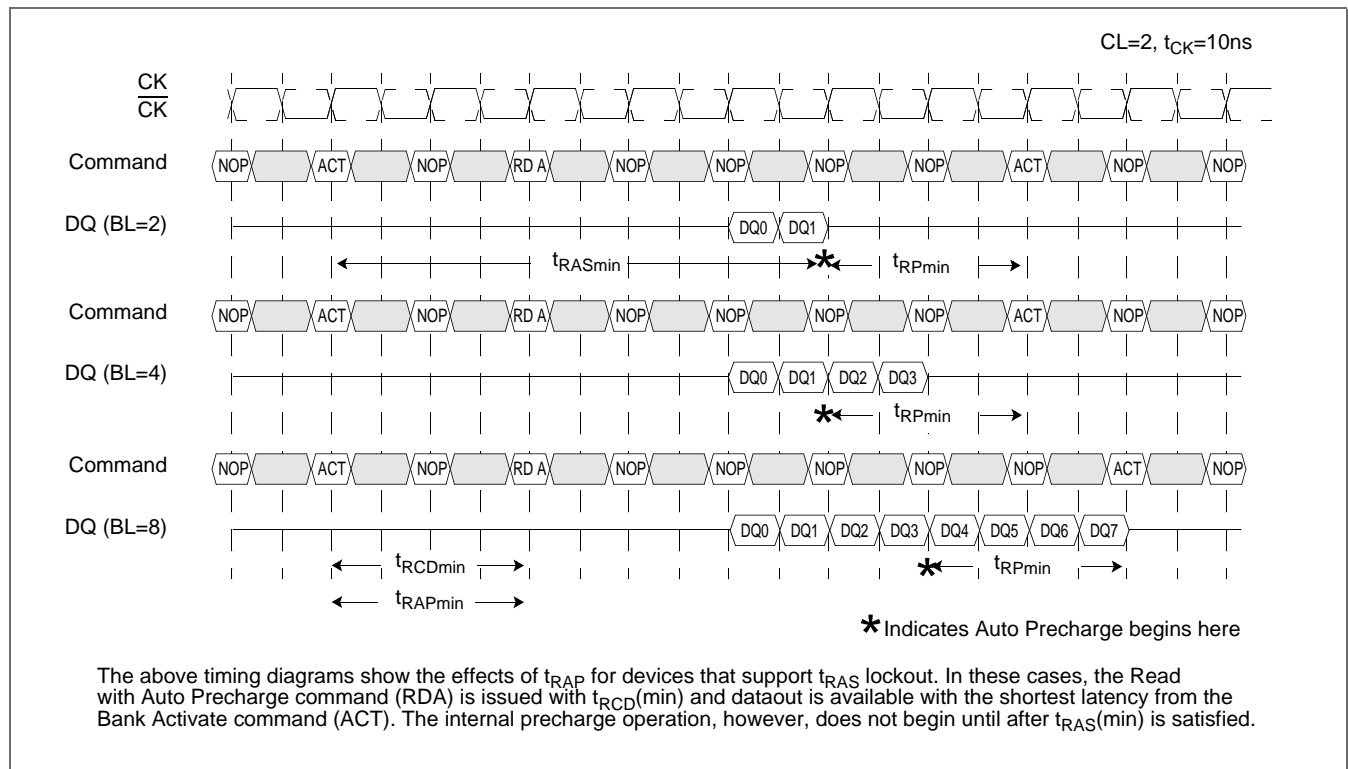
### Auto Precharge

Auto Precharge is a feature which performs the same individual-bank precharge function described above, but without requiring an explicit command. This is accomplished by using A10 to enable Auto Precharge in conjunction with a specific Read or Write command. A precharge of the bank/row that is addressed with the Read or Write command is automatically performed upon completion of the Read or Write burst. Auto Precharge is non-persistent in that it is either enabled or disabled for each individual Read or Write command. Auto Precharge ensures that the precharge is initiated at the earliest valid stage within a burst. This is determined as if an explicit Precharge command was issued at the earliest possible time without violating  $t_{RAS}(min)$ . The user must not issue another command to the same bank until the precharge ( $t_{RP}$ ) is completed.

The NTC DDR SDRAM devices supports the optional  $t_{RAS}$  lockout feature. This feature allows a Read command with Auto Precharge to be issued to a bank that has been activated (opened) but has not yet satisfied the  $t_{RAS}(min)$  specification. The  $t_{RAS}$  lockout feature essentially delays the onset of the auto precharge operation until two conditions occur. One, the entire burst length of data has been successfully prefetched from the memory array; and two,  $t_{RAS}(min)$  has been satisfied.

As a means to specify whether a DDR SDRAM device supports the  $t_{RAS}$  lockout feature, a new parameter has been defined,  $t_{RAP}$  (RAS Command to Read Command with Auto Precharge or better stated Bank Activate to Read Command with Auto Precharge). For devices that support the  $t_{RAS}$  lockout feature,  $t_{RAP} = t_{RCD}(min)$ . This allows any Read Command (with or without Auto Precharge) to be issued to an open bank once  $t_{RCD}(min)$  is satisfied.

### $t_{RAP}$ Definition



### Burst Terminate

The Burst Terminate command is used to truncate read bursts (with Auto Precharge disabled). The most re-cently registered Read command prior to the Burst Terminate command is truncated, as shown in the Operation section of this data sheet. Write burst cycles are not to be terminated with the Burst Terminate command.

NT5DS64M4BT    NT5DS64M4BF    NT5DS64M4BS    NT5DS64M4BG  
NT5DS32M8BT    NT5DS32M8BF    NT5DS32M8BS    NT5DS32M8BG  
NT5DS16M16BT    NT5DS16M16BF    NT5DS16M16BS    NT5DS16M16BG



## 256Mb DDR SDRAM

---

### Auto Refresh

Auto Refresh is used during normal operation of the DDR SDRAM and is analogous to  $\overline{\text{CAS}}$  Before  $\overline{\text{RAS}}$  (CBR) Refresh in previous DRAM types. This command is nonpersistent, so it must be issued each time a refresh is required.

The refresh addressing is generated by the internal refresh controller. This makes the address bits "Don't Care" during an Auto Refresh command. The 256Mb DDR SDRAM requires Auto Refresh cycles at an average periodic interval of 7.8 $\mu$ s (maximum).

### Self Refresh

The Self Refresh command can be used to retain data in the DDR SDRAM, even if the rest of the system is powered down. When in the self refresh mode, the DDR SDRAM retains data without external clocking. The Self Refresh command is initiated as an Auto Refresh command coincident with CKE transitioning low. The DLL is automatically disabled upon entering Self Refresh, and is automatically enabled upon exiting Self Refresh (200 clock cycles must then occur before a Read command can be issued). Input signals except CKE (low) are "Don't Care" during Self Refresh operation.

The procedure for exiting self refresh requires a sequence of commands. CK (and  $\overline{\text{CK}}$ ) must be stable prior to CKE returning high. Once CKE is high, the SDRAM must have NOP commands issued for  $t_{\text{XSNR}}$  because time is required for the completion of any internal refresh in progress. A simple algorithm for meeting both refresh and DLL requirements is to apply NOPs for 200 clock cycles before applying any other command.



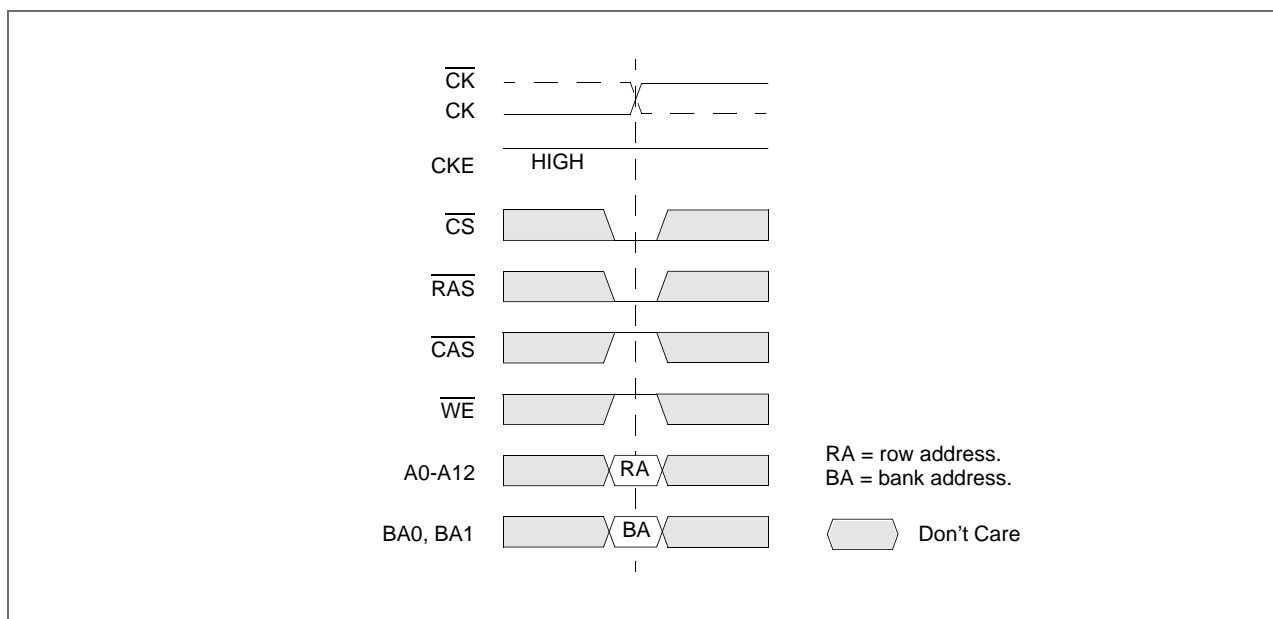
## 256Mb DDR SDRAM

### Operations

#### Bank/Row Activation

Before any Read or Write commands can be issued to a bank within the DDR SDRAM, a row in that bank must be “opened” (activated). This is accomplished via the Active command and addresses A0-A12, BA0 and BA1 (see Activating a Specific Row in a Specific Bank), which decode and select both the bank and the row to be activated. After opening a row (issuing an Active command), a Read or Write command may be issued to that row, subject to the  $t_{RCD}$  specification. A subsequent Active command to a different row in the same bank can only be issued after the previous active row has been “closed” (precharged). The minimum time interval between successive Active commands to the same bank is defined by  $t_{RC}$ . A subsequent Active command to another bank can be issued while the first bank is being accessed, which results in a reduction of total row-access overhead. The minimum time interval between successive Active commands to different banks is defined by  $t_{RRD}$ .

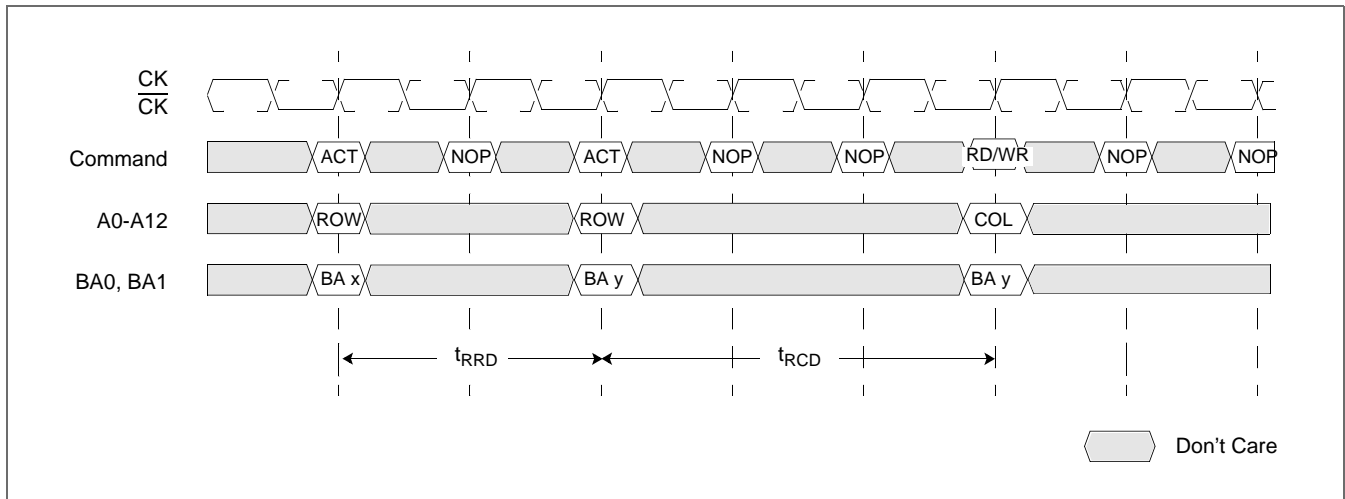
#### Activating a Specific Row in a Specific Bank





## 256Mb DDR SDRAM

### $t_{RCD}$ and $t_{RRD}$ Definition



### Reads

Subsequent to programming the mode register with CAS latency, burst type, and burst length, Read bursts are initiated with a Read command.

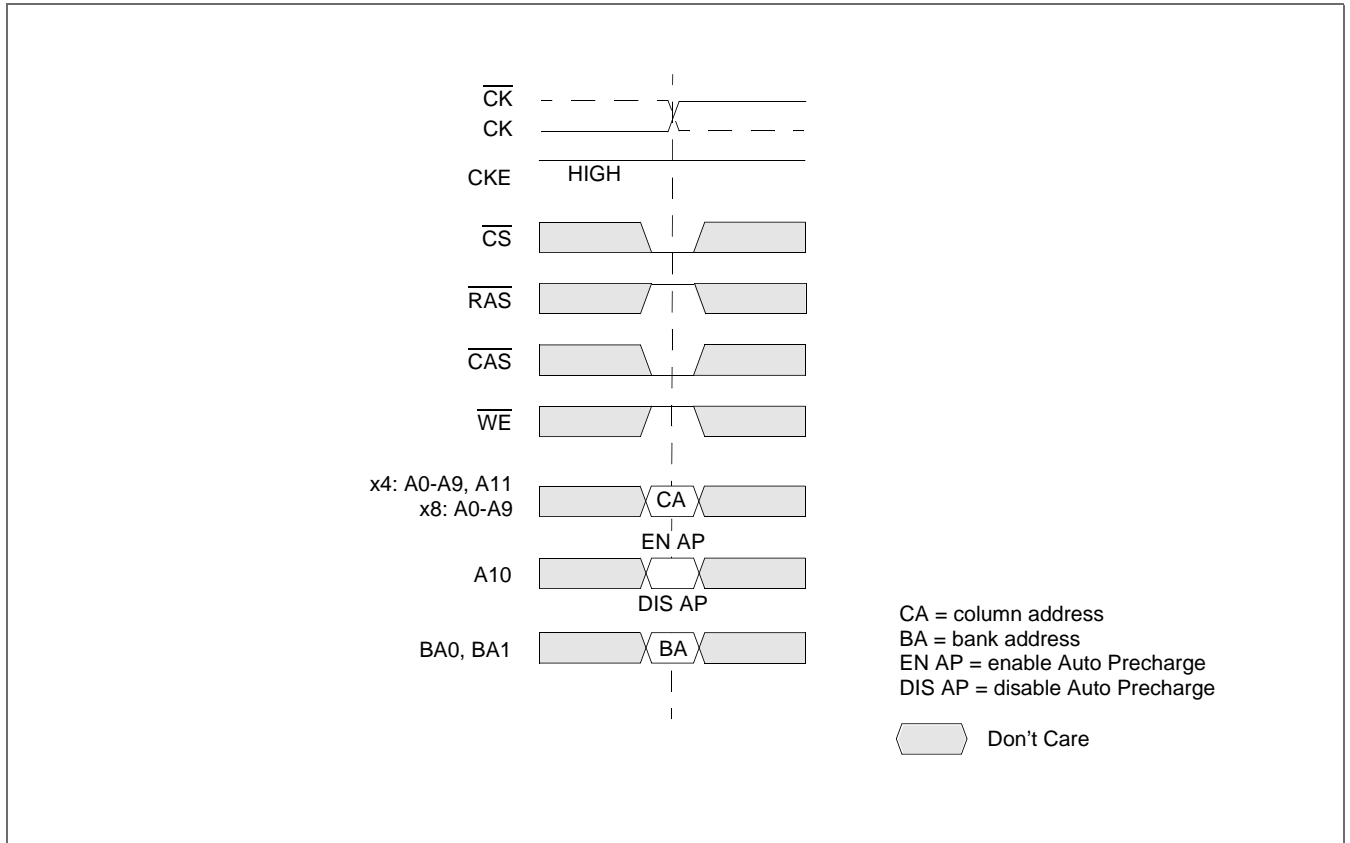
The starting column and bank addresses are provided with the Read command and Auto Precharge is either enabled or disabled for that burst access. If Auto Precharge is enabled, the row that is accessed starts precharge at the completion of the burst, provided  $t_{RAS}$  has been satisfied. For the generic Read commands used in the following illustrations, Auto Precharge is disabled.

During Read bursts, the valid data-out element from the starting column address is available following the CAS latency after the Read command. Each subsequent data-out element is valid nominally at the next positive or negative clock edge (i.e. at the next crossing of CK and  $\overline{CK}$ ). The following timing figure entitled "Read Burst: CAS Latencies (Burst Length=4)" illustrates the general timing for each supported CAS latency setting. DQS is driven by the DDR SDRAM along with output data. The initial low state on DQS is known as the read preamble; the low state coincident with the last data-out element is known as the read postamble. Upon completion of a burst, assuming no other commands have been initiated, the DQs and DQS goes High-Z. Data from any Read burst may be concatenated with or truncated with data from a subsequent Read command. In either case, a continuous flow of data can be maintained. The first data element from the new burst follows either the last element of a completed burst or the last desired data element of a longer burst which is being truncated. The new Read command should be issued x cycles after the first Read command, where x equals the number of desired data element pairs (pairs are required by the 2n prefetch architecture). This is shown in timing figure entitled "Consecutive Read Bursts: CAS Latencies (Burst Length =4 or 8)". A Read command can be initiated on any positive clock cycle following a previous Read command. Nonconsecutive Read data is shown in timing figure entitled "Non-Consecutive Read Bursts: CAS Latencies (Burst Length = 4)". Full-speed Random Read Accesses: CAS Latencies (Burst Length = 2, 4 or 8) within a page (or pages) can be performed as shown on page 27.



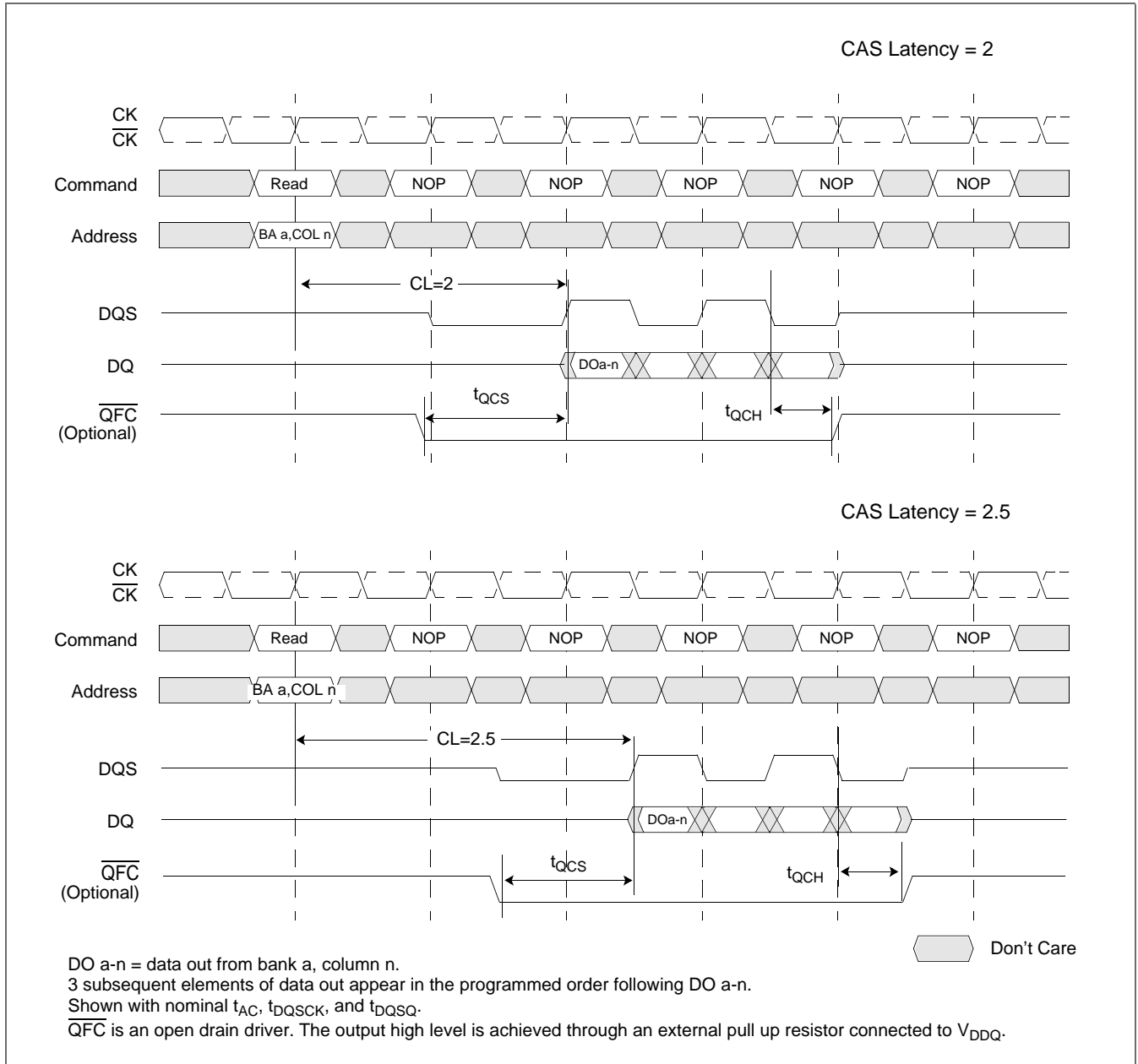
**256Mb DDR SDRAM**

**Read Command**



**256Mb DDR SDRAM**

**Read Burst: CAS Latencies (Burst Length = 4)**

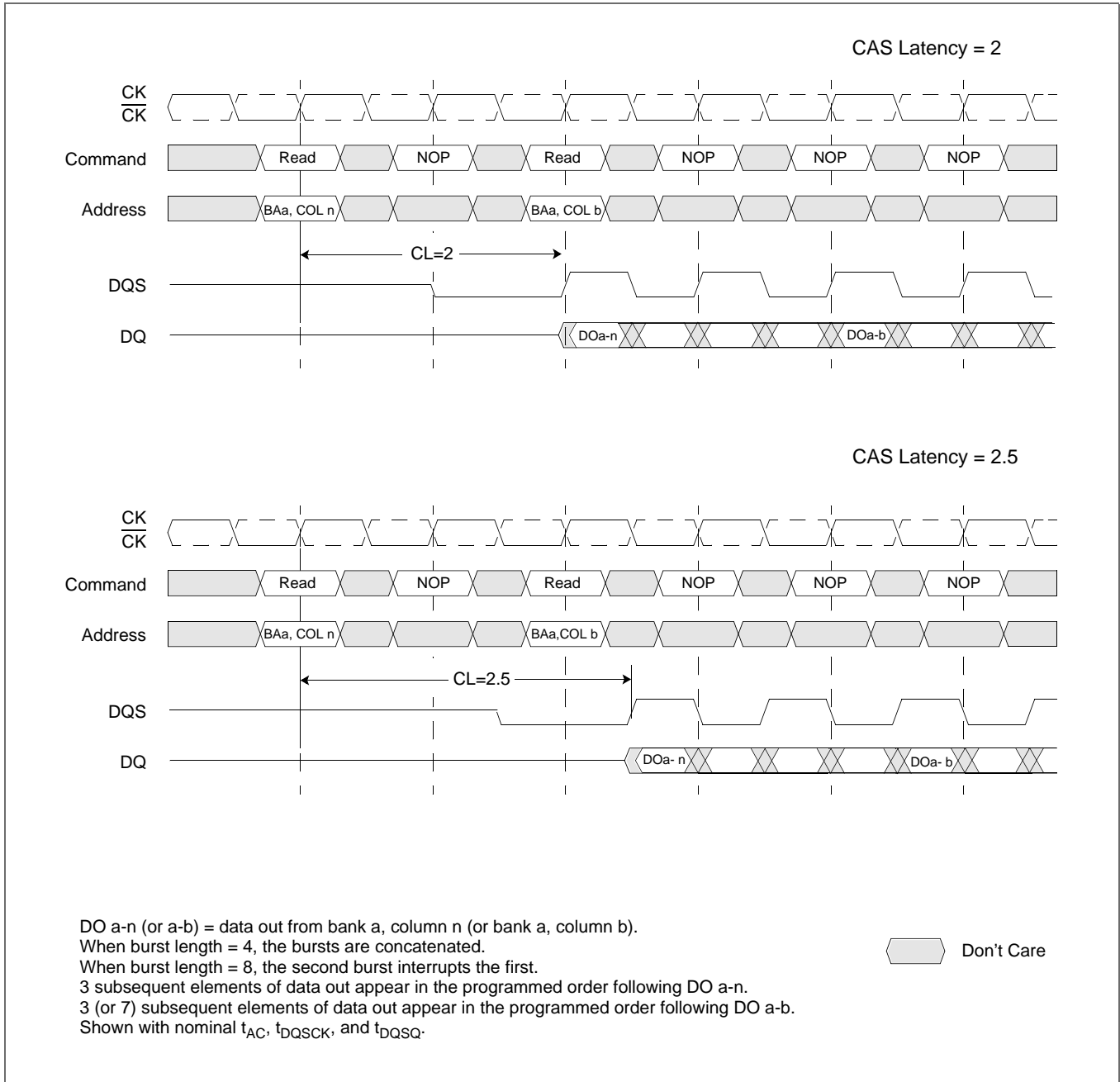






**256Mb DDR SDRAM**

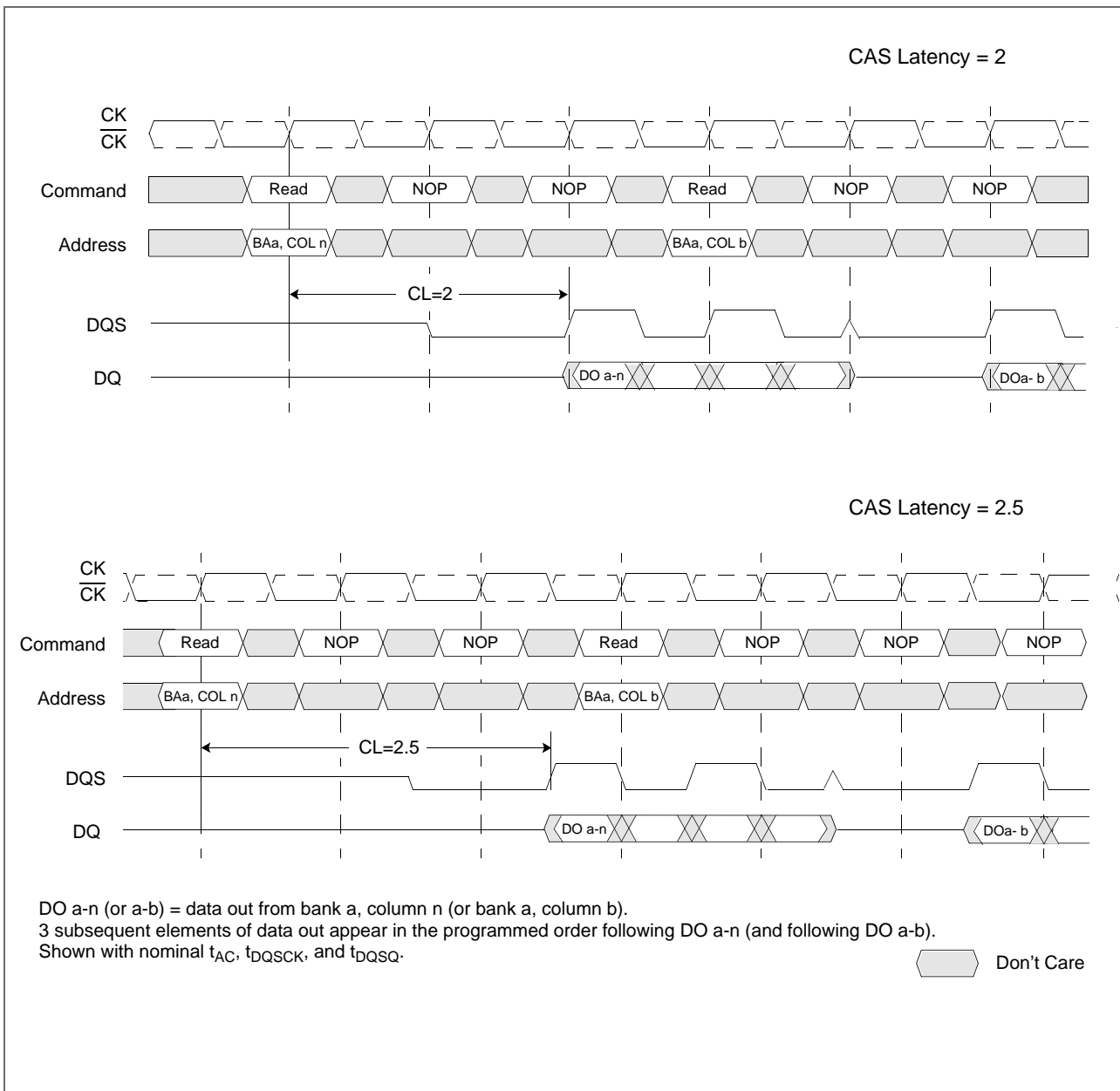
**Consecutive Read Bursts: CAS Latencies (Burst Length = 4 or 8)**





**256Mb DDR SDRAM**

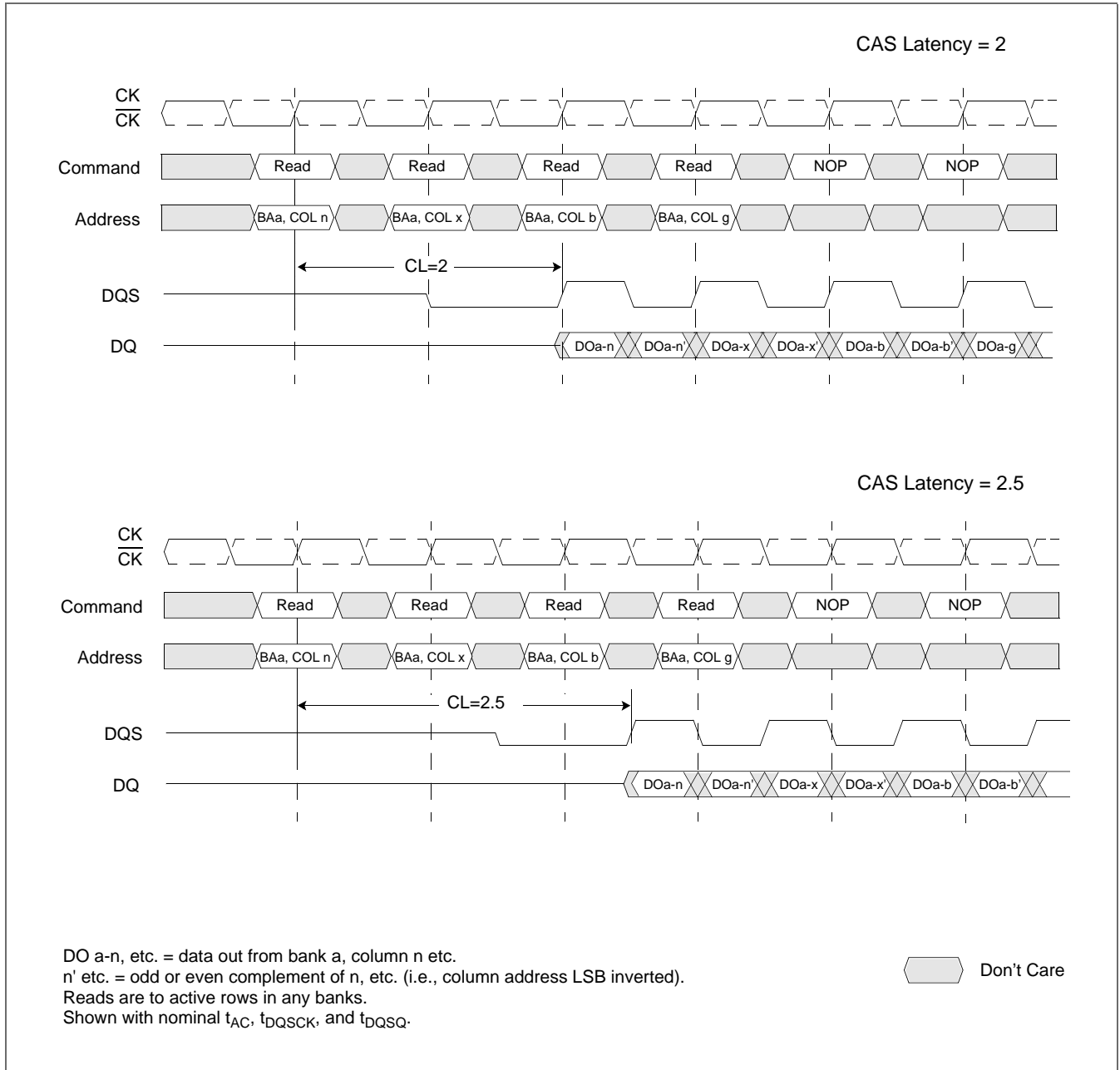
**Non-Consecutive Read Bursts: CAS Latencies (Burst Length = 4)**





**256Mb DDR SDRAM**

**Random Read Accesses: CAS Latencies (Burst Length = 2, 4 or 8)**



NT5DS64M4BT    NT5DS64M4BF    NT5DS64M4BS    NT5DS64M4BG  
NT5DS32M8BT    NT5DS32M8BF    NT5DS32M8BS    NT5DS32M8BG  
NT5DS16M16BT    NT5DS16M16BF    NT5DS16M16BS    NT5DS16M16BG



## 256Mb DDR SDRAM

---

Data from any Read burst may be truncated with a Burst Terminate command, as shown in timing figure entitled *Terminating a Read Burst: CAS Latencies (Burst Length = 8)* on page 29. The Burst Terminate latency is equal to the read (CAS) latency, i.e. the Burst Terminate command should be issued  $x$  cycles after the Read command, where  $x$  equals the number of desired data element pairs.

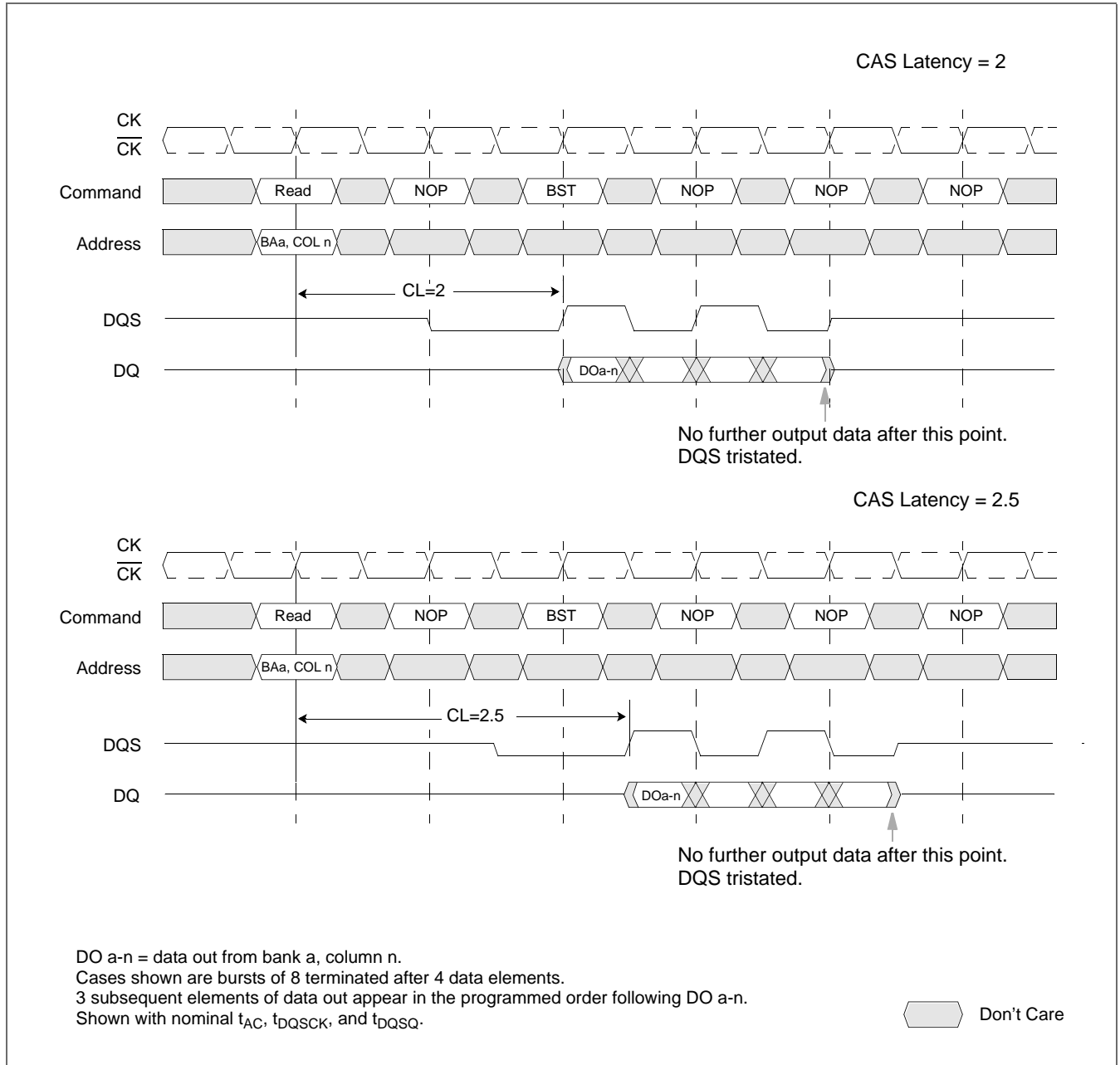
Data from any Read burst must be completed or truncated before a subsequent Write command can be issued. If truncation is necessary, the Burst Terminate command must be used, as shown in timing figure entitled *Read to Write: CAS Latencies (Burst Length = 4 or 8)* on page 30. The example is shown for  $t_{DQSS}(\text{min})$ . The  $t_{DQSS}(\text{max})$  case, not shown here, has a longer bus idle time.  $t_{DQSS}(\text{min})$  and  $t_{DQSS}(\text{max})$  are defined in the section on Writes.

A Read burst may be followed by, or truncated with, a Precharge command to the same bank (provided that Auto Precharge was not activated). The Precharge command should be issued  $x$  cycles after the Read command, where  $x$  equals the number of desired data element pairs (pairs are required by the  $2n$  prefetch architecture). This is shown in timing figure *Read to Precharge: CAS Latencies (Burst Length = 4 or 8)* on page 31 for Read latencies of 2 and 2.5. Following the Precharge command, a subsequent command to the same bank cannot be issued until  $t_{RP}$  is met. Note that part of the row precharge time is hidden during the access of the last data elements.

In the case of a Read being executed to completion, a Precharge command issued at the optimum time (as described above) provides the same operation that would result from the same Read burst with Auto Precharge enabled. The disadvantage of the Precharge command is that it requires that the command and address busses be available at the appropriate time to issue the command. The advantage of the Precharge command is that it can be used to truncate bursts.

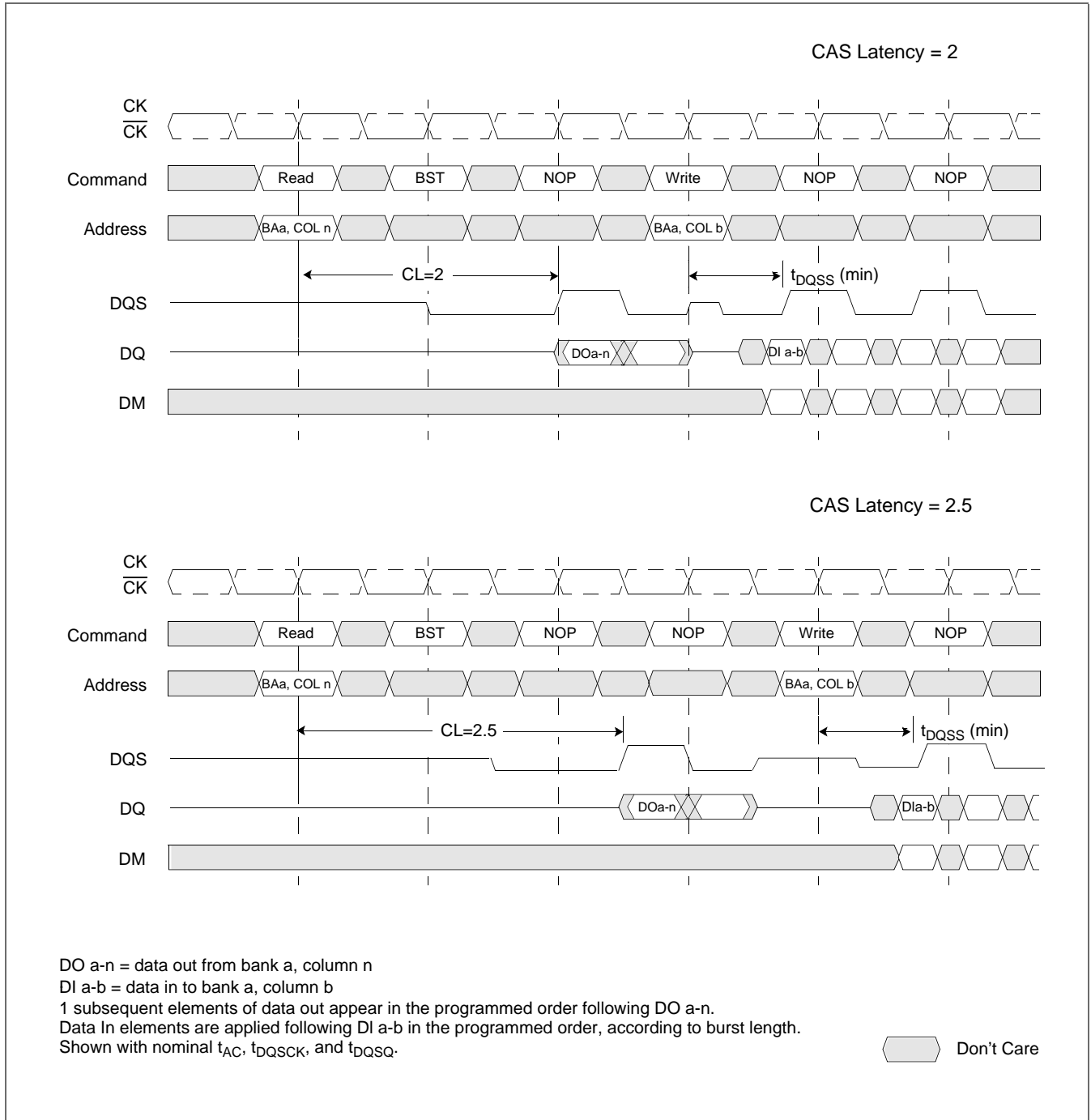
**256Mb DDR SDRAM**

**Terminating a Read Burst: CAS Latencies (Burst Length = 8)**



**256Mb DDR SDRAM**

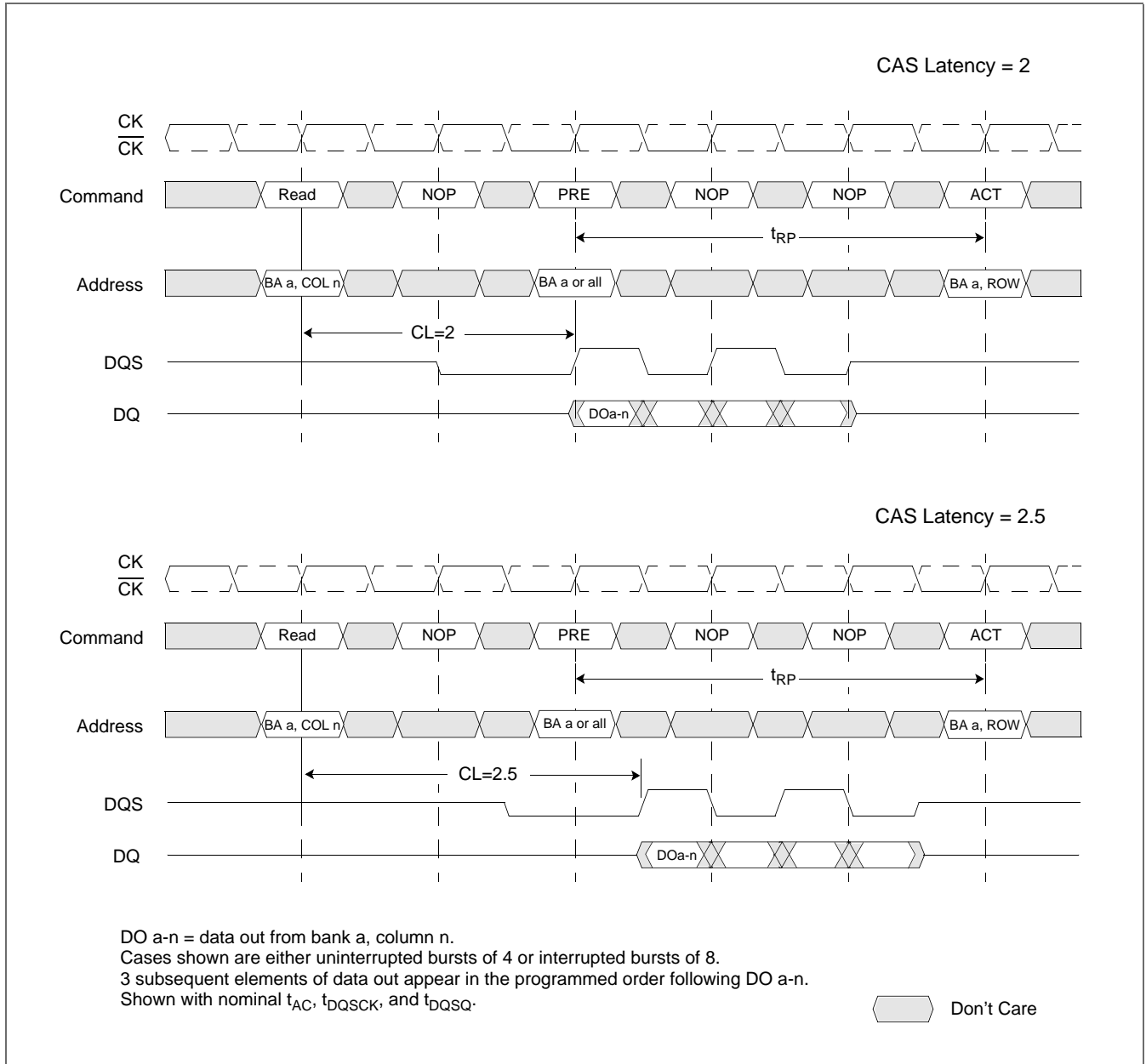
**Read to Write: CAS Latencies (Burst Length = 4 or 8)**





**256Mb DDR SDRAM**

**Read to Precharge: CAS Latencies (Burst Length = 4 or 8)**



## 256Mb DDR SDRAM

### Writes

Write bursts are initiated with a Write command, as shown in timing figure *Write Command* on page 33.

The starting column and bank addresses are provided with the Write command, and Auto Precharge is either enabled or disabled for that access. If Auto Precharge is enabled, the row being accessed is precharged at the completion of the burst. For the generic Write commands used in the following illustrations, Auto Precharge is disabled.

During Write bursts, the first valid data-in element is registered on the first rising edge of DQS following the write command, and subsequent data elements are registered on successive edges of DQS. The Low state on DQS between the Write command and the first rising edge is known as the write preamble; the Low state on DQS following the last data-in element is known as the write postamble. The time between the Write command and the first corresponding rising edge of DQS ( $t_{DQSS}$ ) is specified with a relatively wide range (from 75% to 125% of one clock cycle), so most of the Write diagrams that follow are drawn for the two extreme cases (i.e.  $t_{DQSS}(\min)$  and  $t_{DQSS}(\max)$ ). Timing figure *Write Burst (Burst Length = 4)* on page 34 shows the two extremes of  $t_{DQSS}$  for a burst of four. Upon completion of a burst, assuming no other commands have been initiated, the DQs and DQS enters High-Z and any additional input data is ignored.

Data for any Write burst may be concatenated with or truncated with a subsequent Write command. In either case, a continuous flow of input data can be maintained. The new Write command can be issued on any positive edge of clock following the previous Write command. The first data element from the new burst is applied after either the last element of a completed burst or the last desired data element of a longer burst which is being truncated. The new Write command should be issued  $x$  cycles after the first Write command, where  $x$  equals the number of desired data element pairs (pairs are required by the  $2n$  prefetch architecture). Timing figure *Write to Write (Burst Length = 4)* on page 35 shows concatenated bursts of 4. An example of non-consecutive Writes is shown in timing figure *Write to Write: Max DQSS, Non-Consecutive (Burst Length = 4)* on page 36. Full-speed random write accesses within a page or pages can be performed as shown in timing figure *Random Write Cycles (Burst Length = 2, 4 or 8)* on page 37. Data for any Write burst may be followed by a subsequent Read command. To follow a Write without truncating the write burst,  $t_{WTR}$  (Write to Read) should be met as shown in timing figure *Write to Read: Non-Interrupting (CAS Latency = 2; Burst Length = 4)* on page 38.

Data for any Write burst may be truncated by a subsequent (interrupting) Read command. This is illustrated in timing figures "Write to Read: Interrupting (CAS Latency = 2; Burst Length = 8)", "Write to Read: Minimum DQSS, Odd Number of Data (3 bit Write), Interrupting (CAS Latency = 2; Burst Length = 8)", and "Write to Read: Nominal DQSS, Interrupting (CAS Latency = 2; Burst Length = 8)". Note that only the data-in pairs that are registered prior to the  $t_{WTR}$  period are written to the internal array, and any subsequent data-in must be masked with DM, as shown in the diagrams noted previously.

Data for any Write burst may be followed by a subsequent Precharge command. To follow a Write without truncating the write burst,  $t_{WR}$  should be met as shown in timing figure *Write to Precharge: Non-Interrupting (Burst Length = 4)* on page 42.

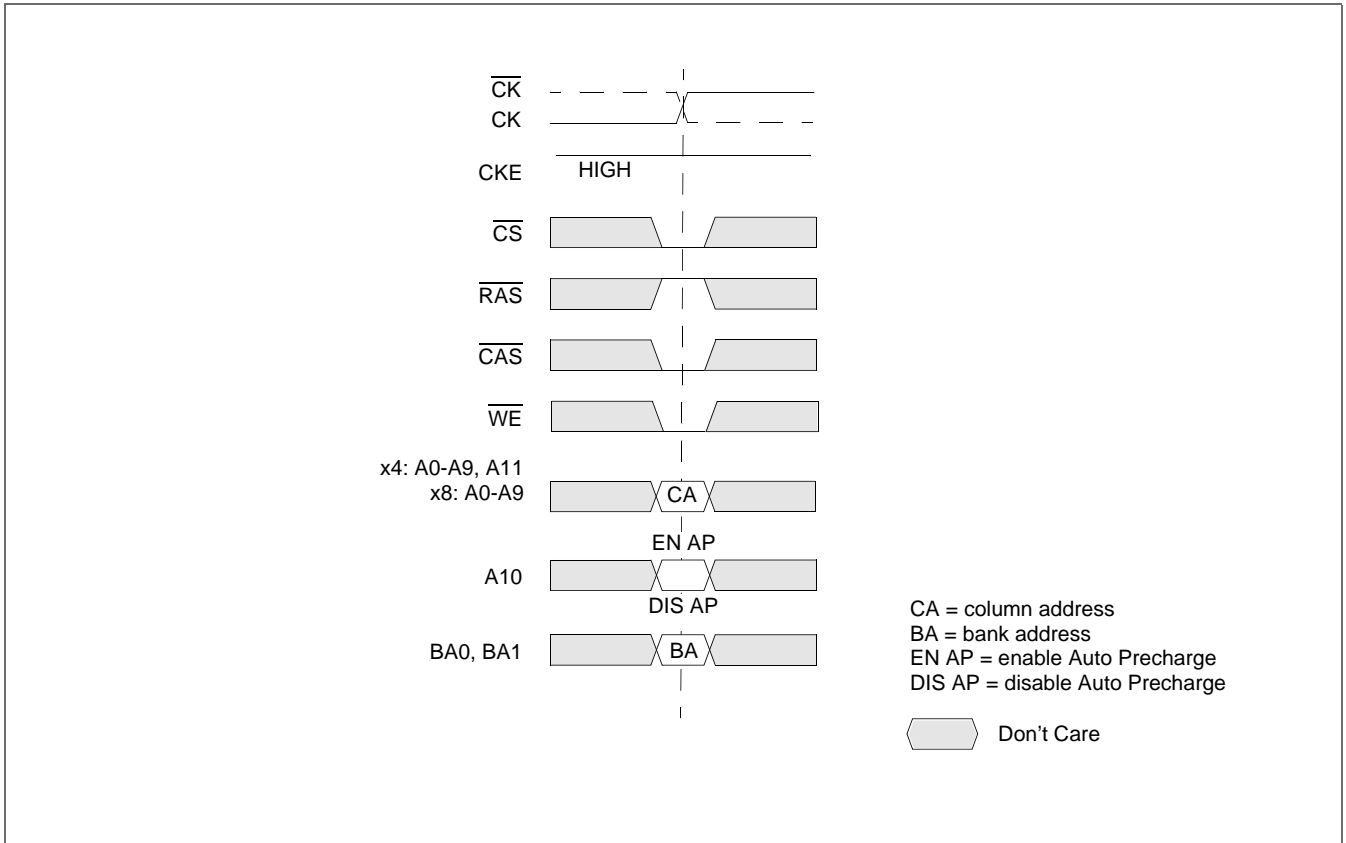
Data for any Write burst may be truncated by a subsequent Precharge command, as shown in timing figures *Write to Precharge: Interrupting (Burst Length = 4 or 8)* on page 43 to *Write to Precharge: Nominal DQSS (2 bit Write), Interrupting (Burst Length = 4 or 8)* on page 45. Note that only the data-in pairs that are registered prior to the  $t_{WR}$  period are written to the internal array, and any subsequent data in should be masked with DM. Following the Precharge command, a subsequent command to the same bank cannot be issued until  $t_{RP}$  is met.

In the case of a Write burst being executed to completion, a Precharge command issued at the optimum time (as described above) provides the same operation that would result from the same burst with Auto Precharge. The disadvantage of the Precharge command is that it requires that the command and address busses be available at the appropriate time to issue the command. The advantage of the Precharge command is that it can be used to truncate bursts.



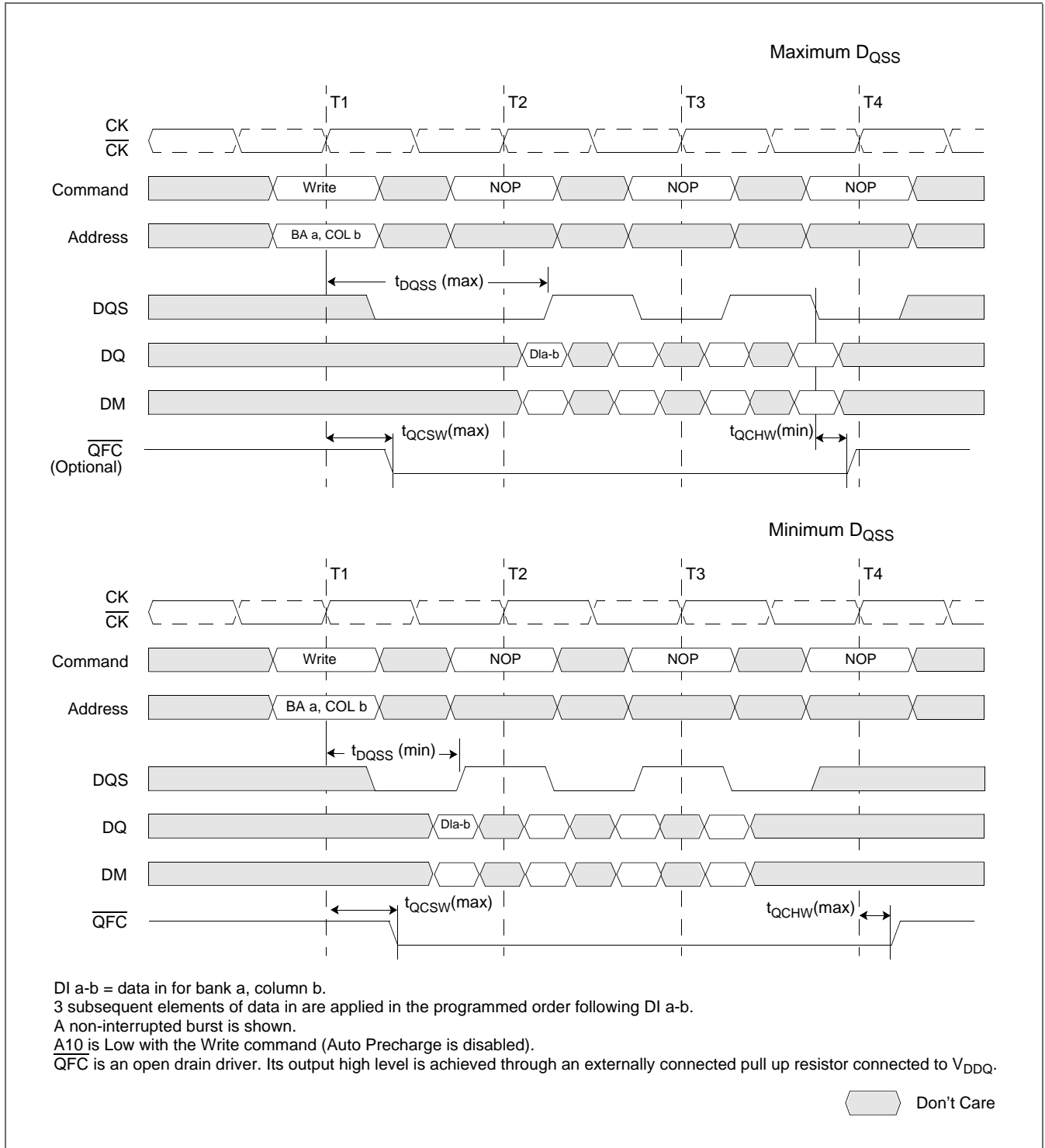
**256Mb DDR SDRAM**

**Write Command**



256Mb DDR SDRAM

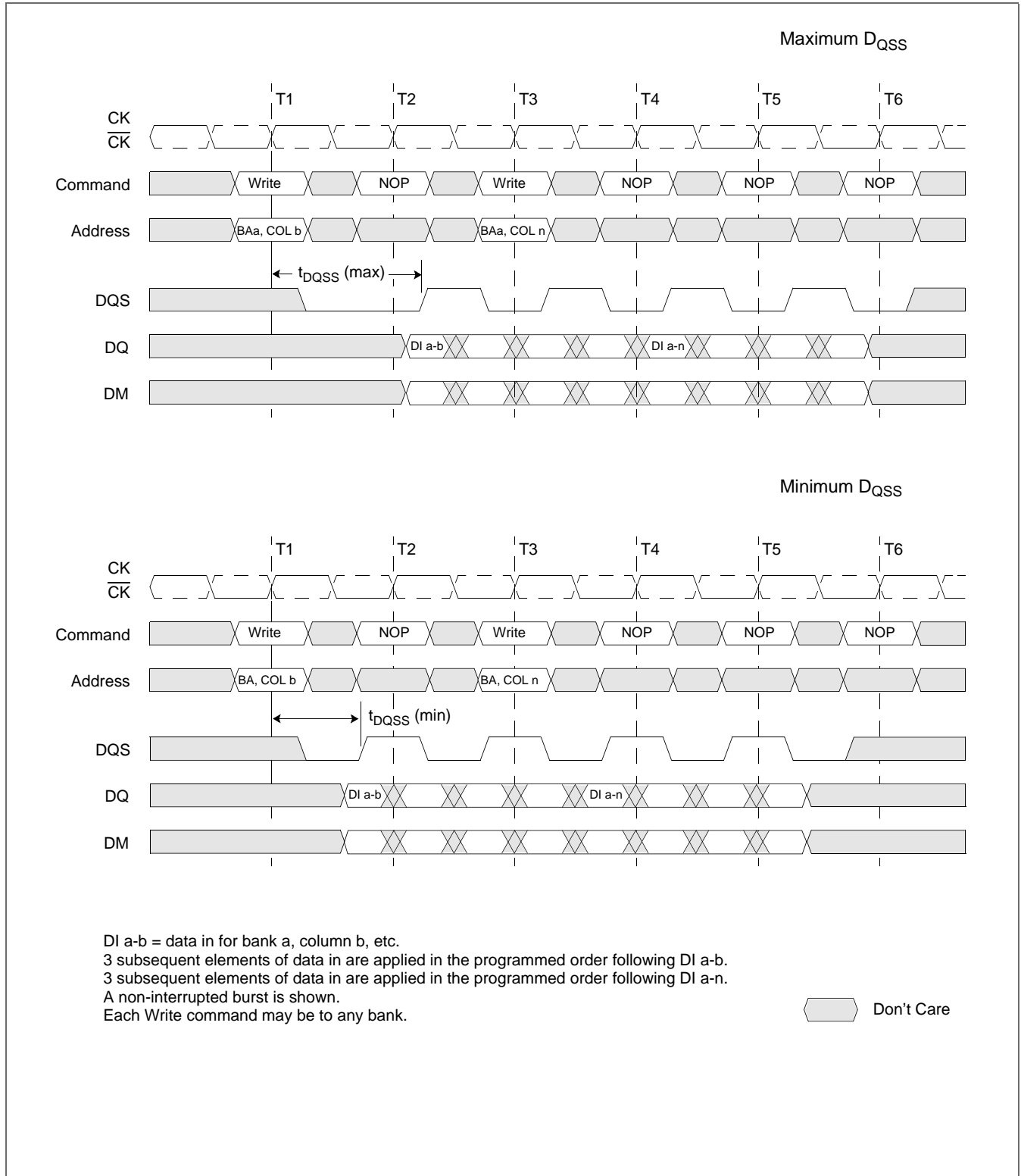
Write Burst (Burst Length = 4)





**256Mb DDR SDRAM**

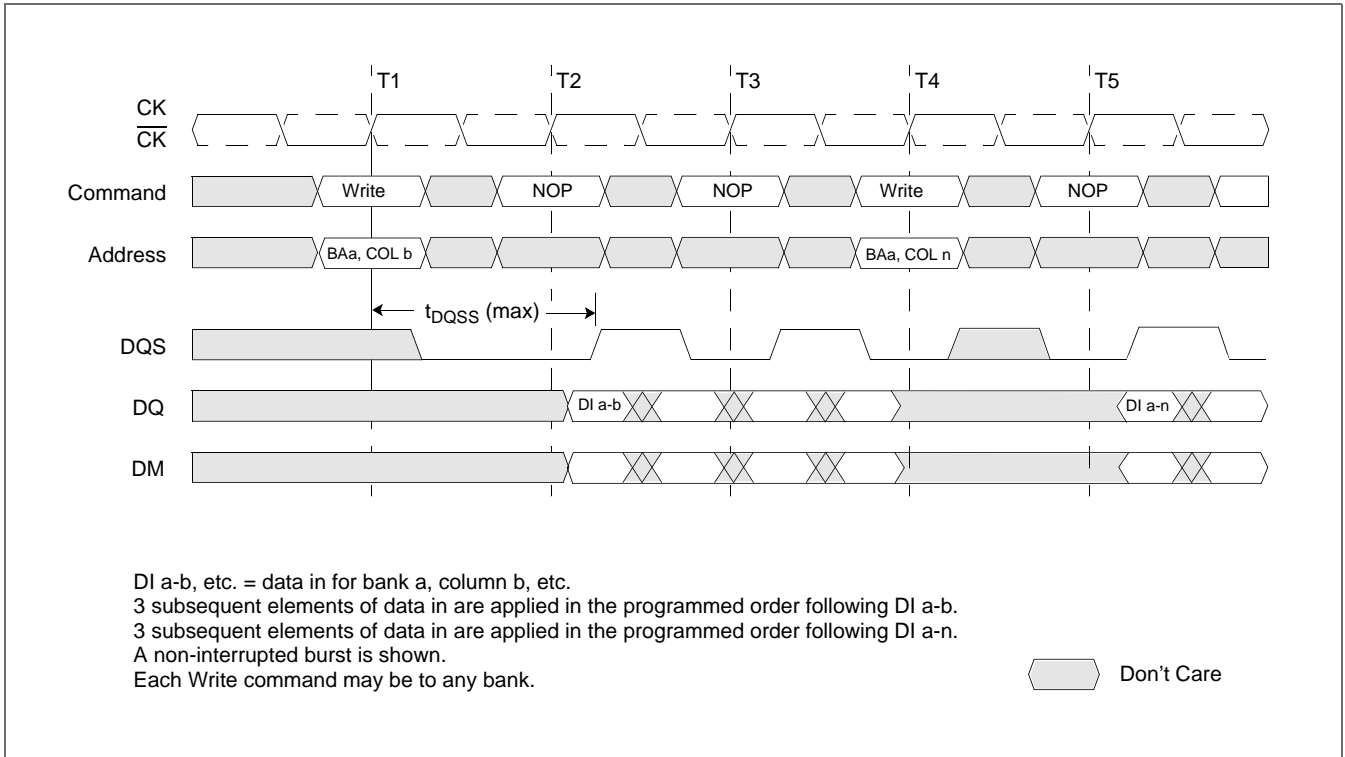
**Write to Write (Burst Length = 4)**





**256Mb DDR SDRAM**

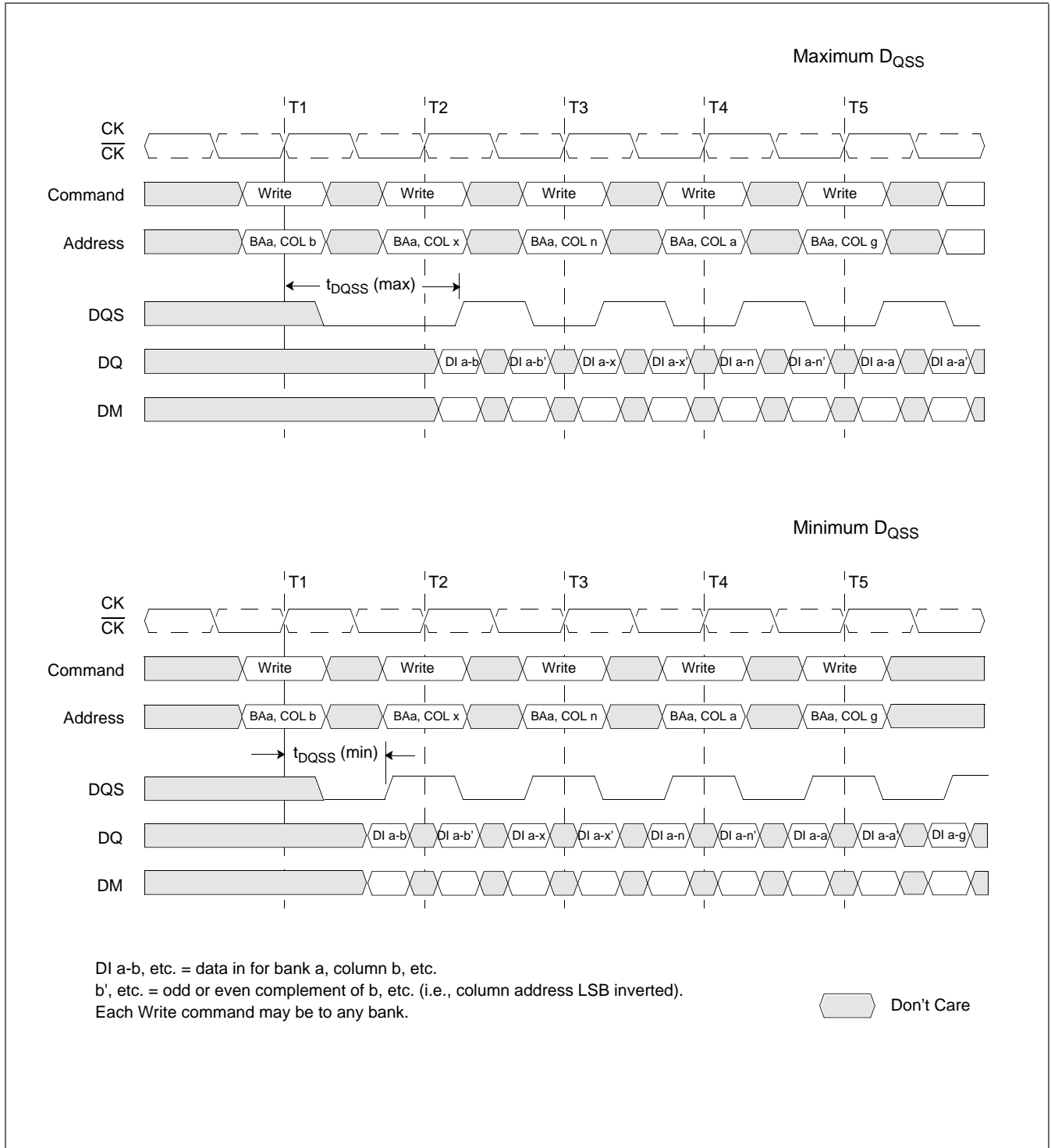
**Write to Write: Max DQSS, Non-Consecutive (Burst Length = 4)**





256Mb DDR SDRAM

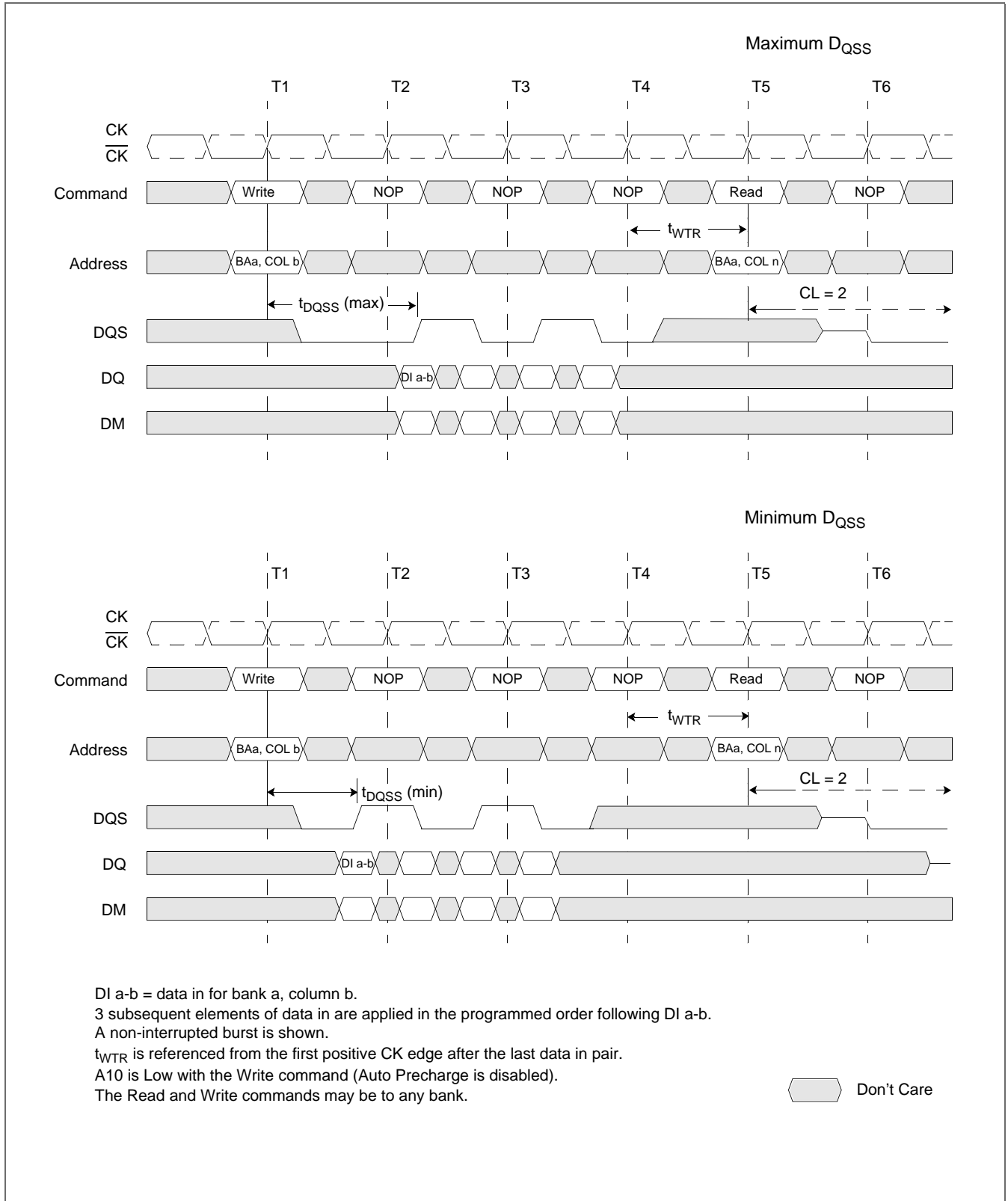
Random Write Cycles (Burst Length = 2, 4 or 8)





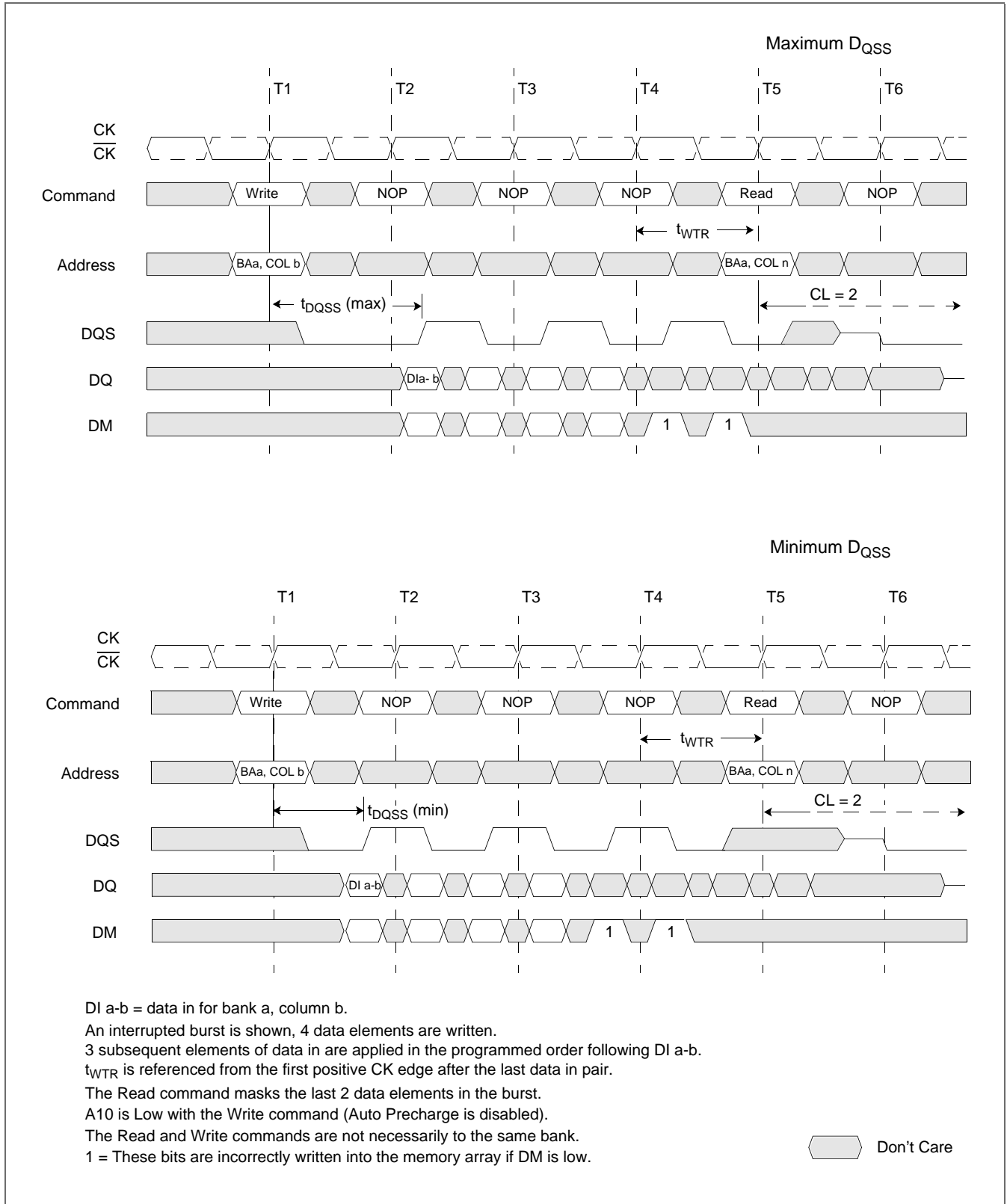
**256Mb DDR SDRAM**

**Write to Read: Non-Interrupting (CAS Latency = 2; Burst Length = 4)**



256Mb DDR SDRAM

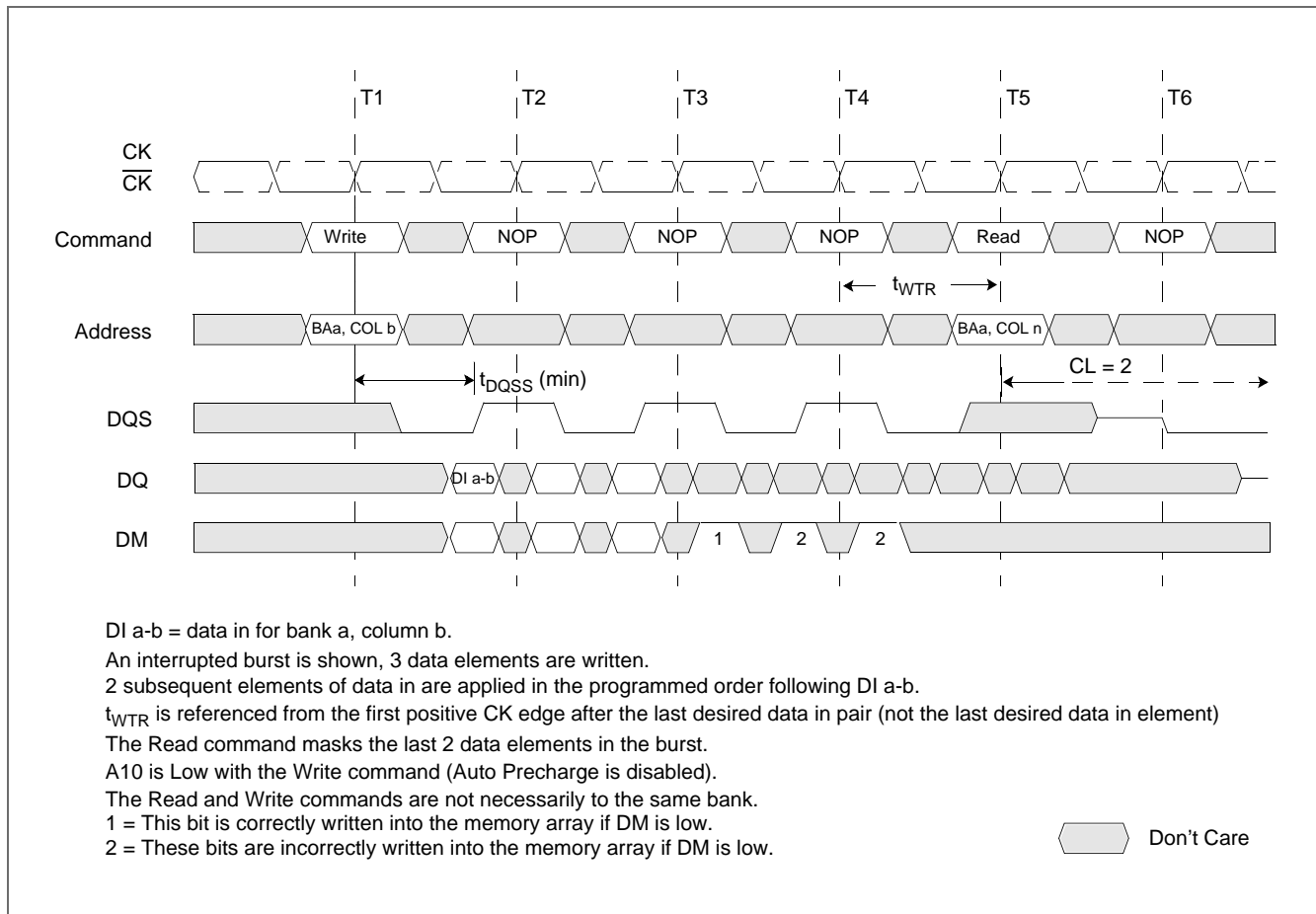
Write to Read: Interrupting (CAS Latency = 2; Burst Length = 8)





**256Mb DDR SDRAM**

**Write to Read: Minimum DQSS, Odd Number of Data (3 bit Write), Interrupting (CAS Latency = 2; Burst Length = 8)**

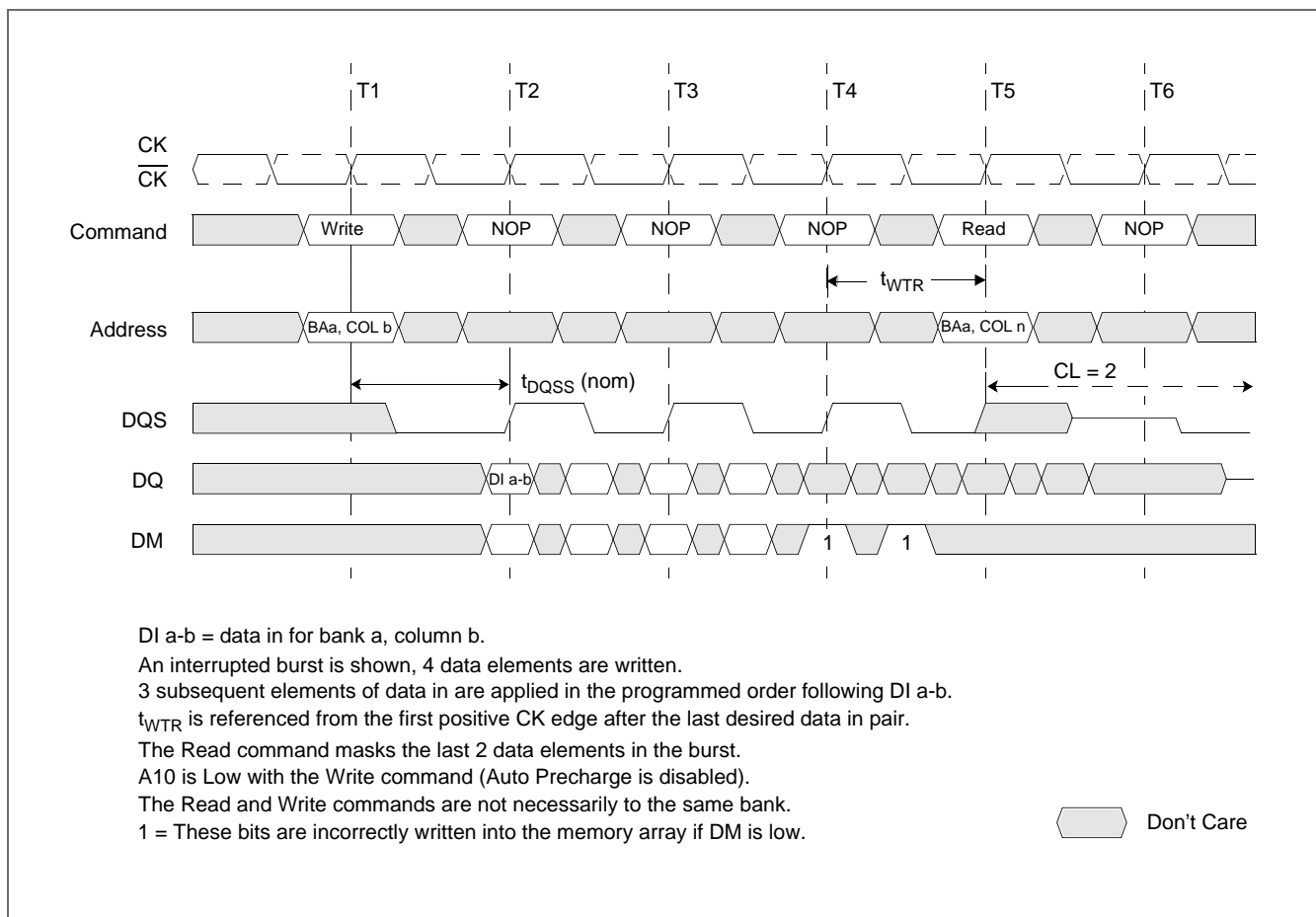






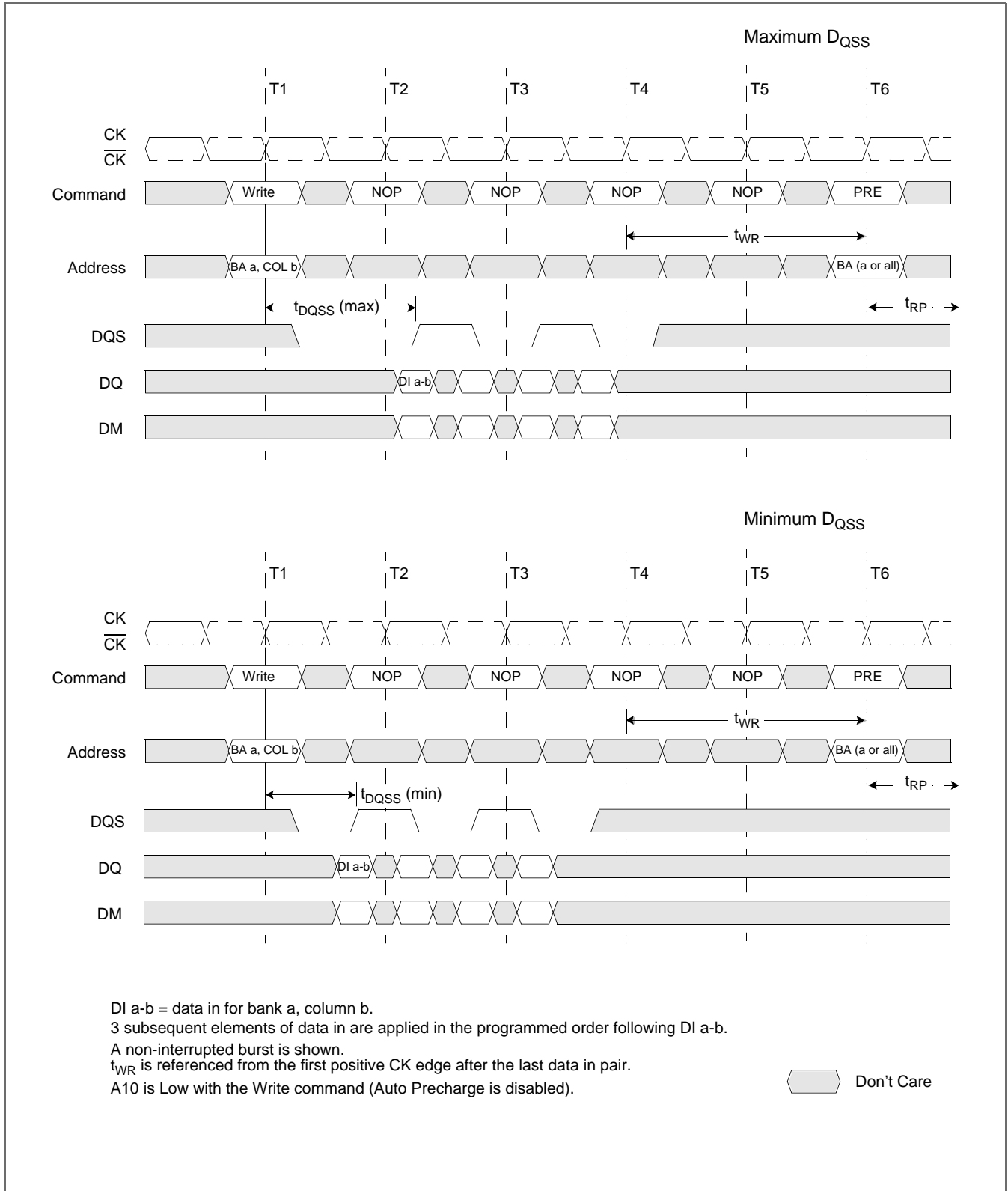
256Mb DDR SDRAM

Write to Read: Nominal DQSS, Interrupting (CAS Latency = 2; Burst Length = 8)



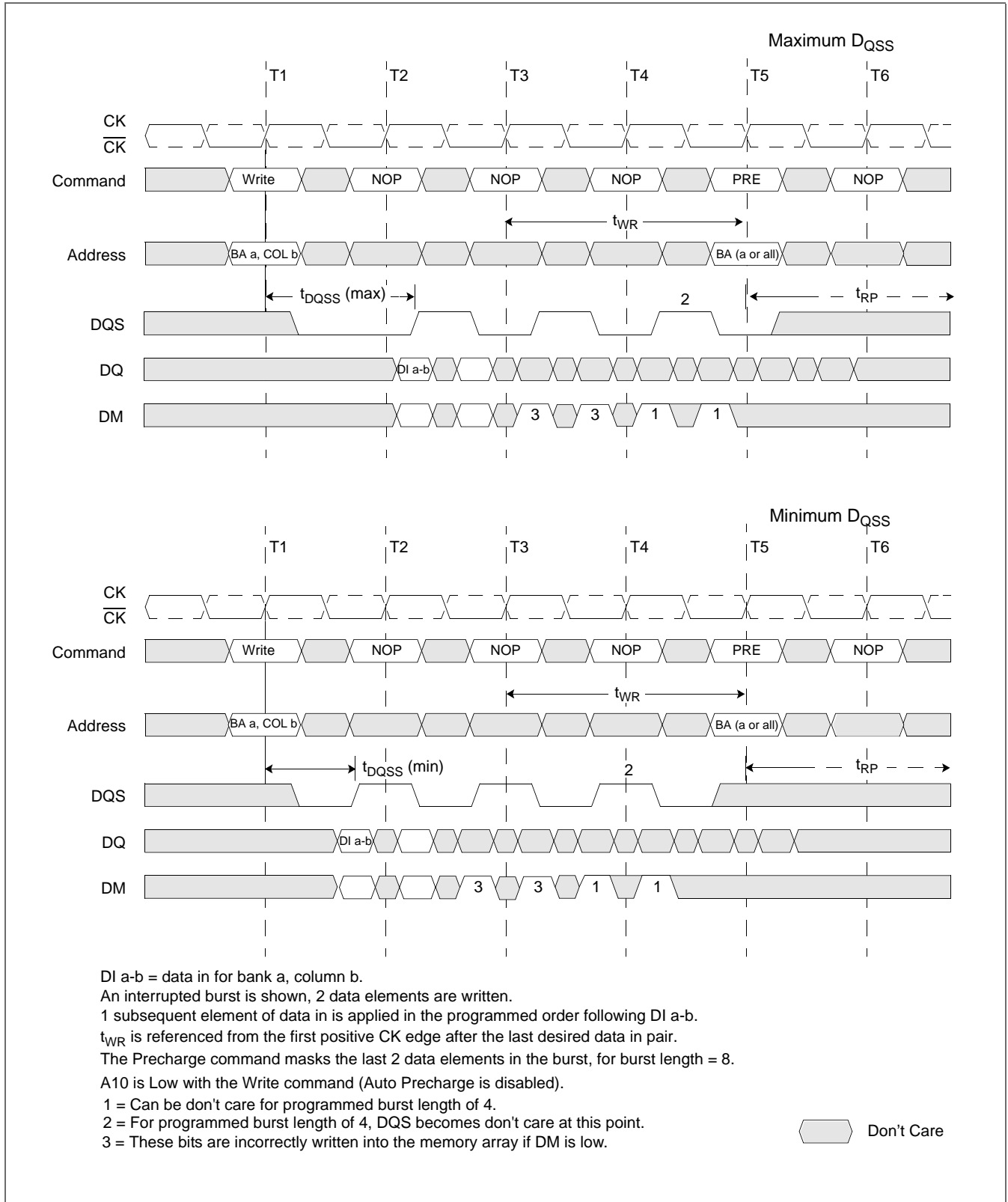
256Mb DDR SDRAM

Write to Precharge: Non-Interrupting (Burst Length = 4)



256Mb DDR SDRAM

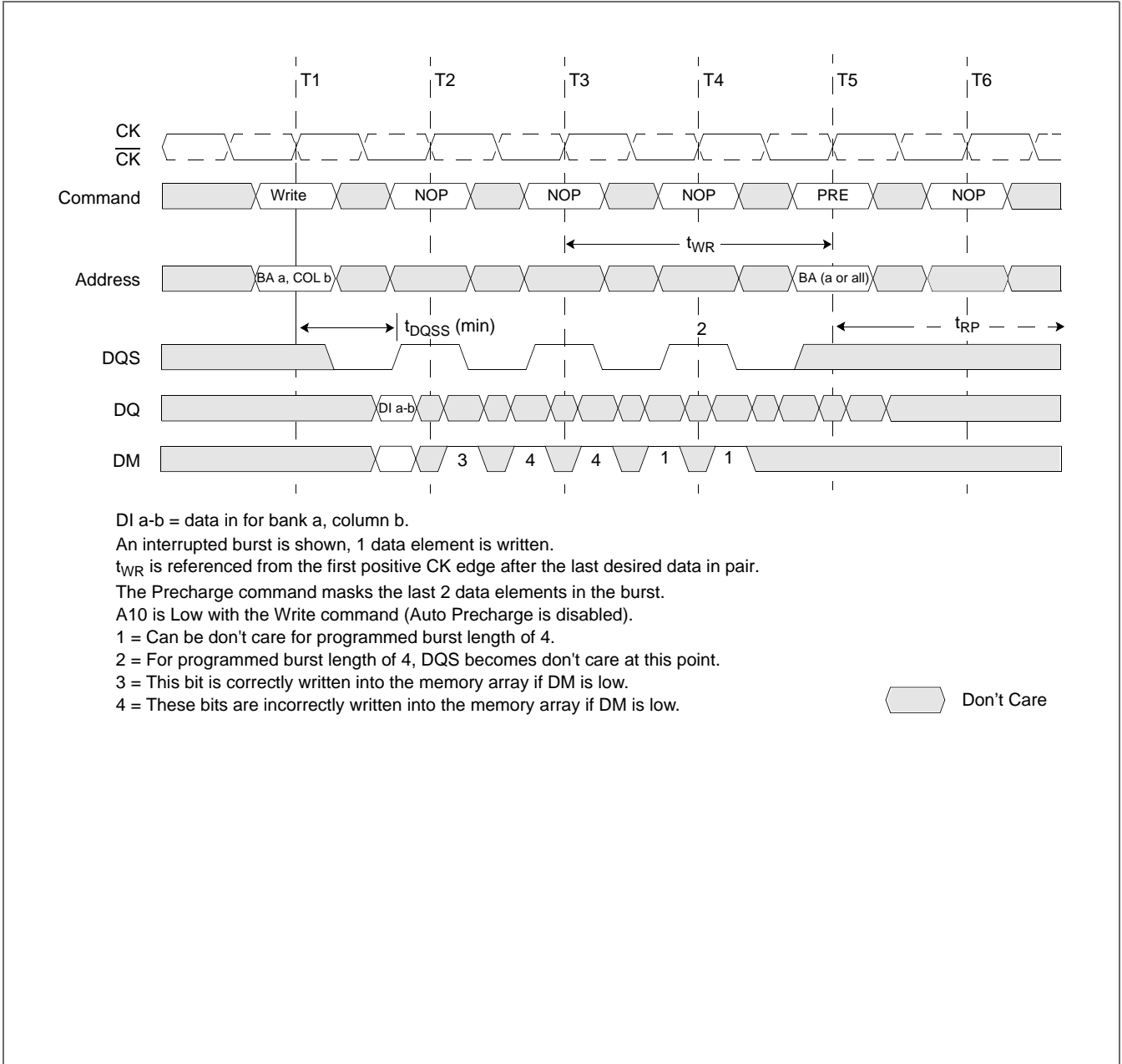
Write to Precharge: Interrupting (Burst Length = 4 or 8)





**256Mb DDR SDRAM**

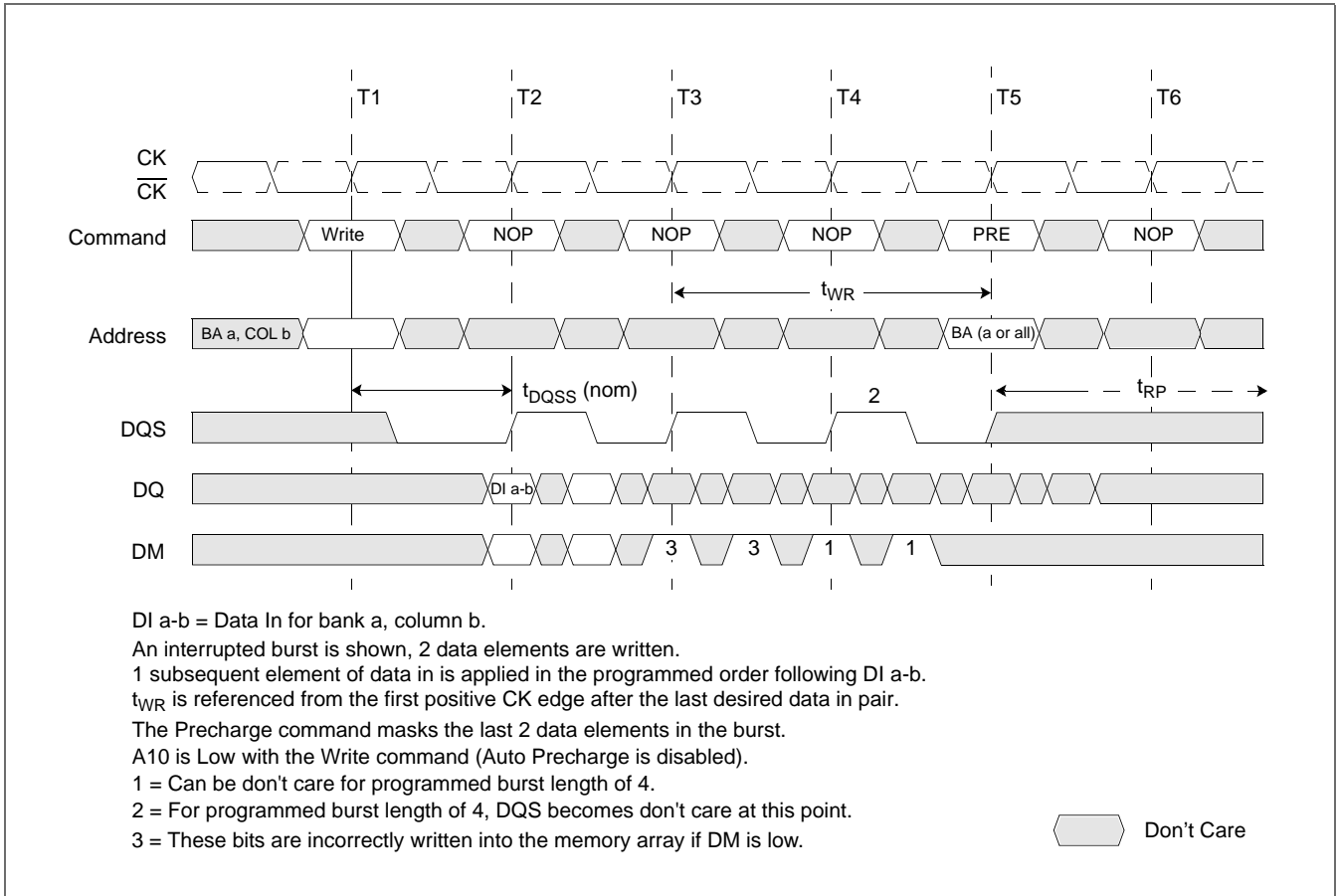
**Write to Precharge: Minimum DQSS, Odd Number of Data (1 bit Write), Interrupting (Burst Length = 4 or 8)**





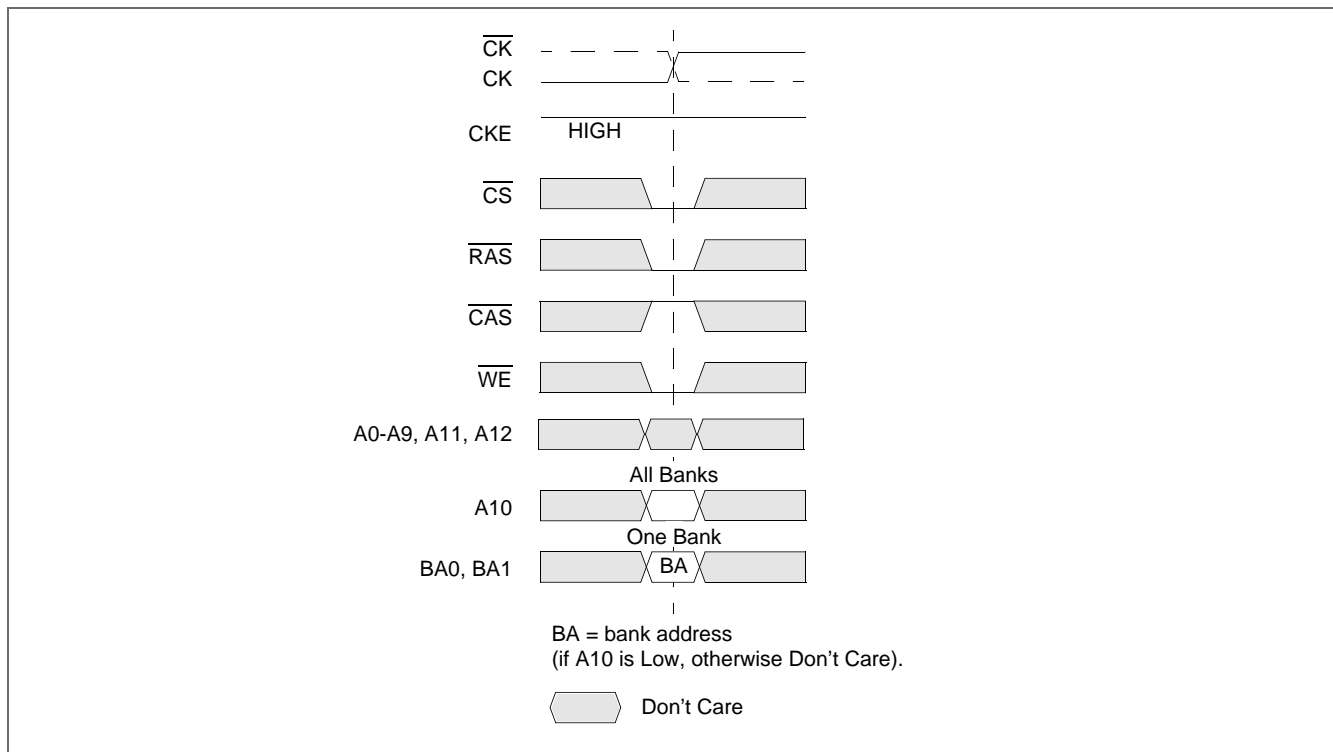
**256Mb DDR SDRAM**

**Write to Precharge: Nominal DQSS (2 bit Write), Interrupting (Burst Length = 4 or 8)**



## 256Mb DDR SDRAM

### Precharge Command



### Precharge

The Precharge command is used to deactivate the open row in a particular bank or the open row in all banks. The bank(s) is available for a subsequent row access some specified time ( $t_{RP}$ ) after the Precharge command is issued. Input A10 determines whether one or all banks are to be precharged, and in the case where only one bank is to be precharged, inputs BA0, BA1 select the bank. When all banks are to be precharged, inputs BA0, BA1 are treated as "Don't Care." Once a bank has been precharged, it is in the idle state and must be activated prior to any Read or Write commands being issued to that bank.

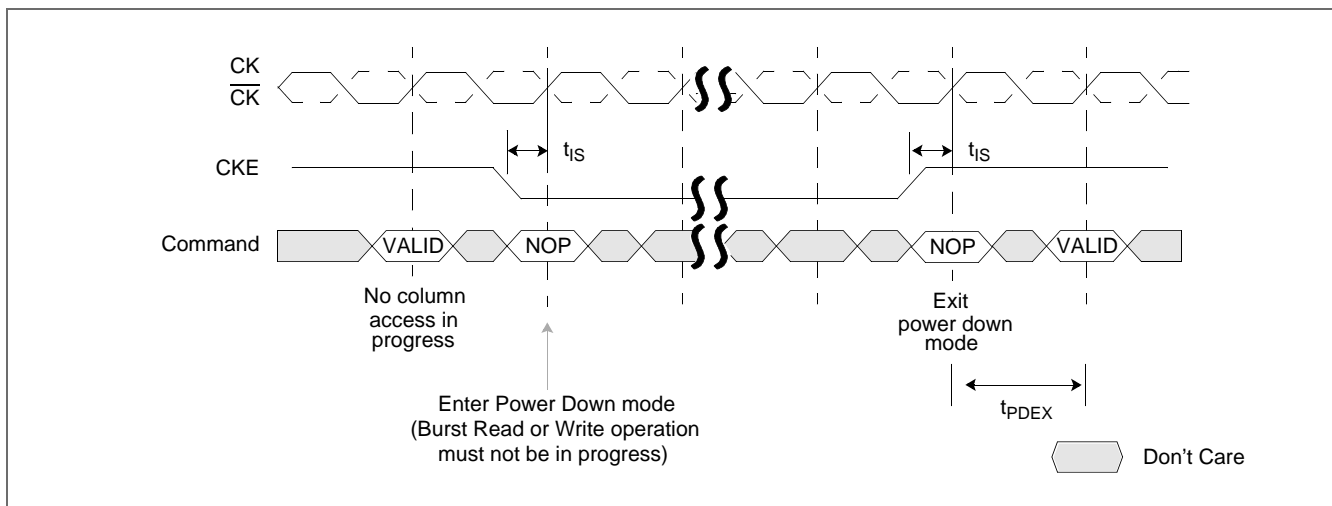
## 256Mb DDR SDRAM

### Power Down

Power Down is entered when CKE is registered low (no accesses can be in progress). If Power Down occurs when all banks are idle, this mode is referred to as Precharge Power Down; if Power Down occurs when there is a row active in any bank, this mode is referred to as Active Power Down. Entering Power Down deactivates the input and output buffers, excluding CK,  $\overline{CK}$  and CKE. The DLL is still running in Power Down mode, so for maximum power savings, the user has the option of disabling the DLL prior to entering Power Down. In that case, the DLL must be enabled after exiting Power Down, and 200 clock cycles must occur before a Read command can be issued. In Power Down mode, CKE Low and a stable clock signal must be maintained at the inputs of the DDR SDRAM, and all other input signals are "Don't Care". However, Power Down duration is limited by the refresh requirements of the device, so in most applications, the self refresh mode is preferred over the DLL-disabled Power Down mode.

The Power Down state is synchronously exited when CKE is registered high (along with a Nop or Deselect command). A valid, executable command may be applied one clock cycle later.

### Power Down





## 256Mb DDR SDRAM

### Truth Table 2: Clock Enable (CKE)

1. CKE n is the logic state of CKE at clock edge n: CKE n-1 was the state of CKE at the previous clock edge.
2. Current state is the state of the DDR SDRAM immediately prior to clock edge n.
3. Command n is the command registered at clock edge n, and action n is a result of command n.
4. All states and sequences not shown are illegal or reserved.

| Current State  | CKE n-1        | CKEn          | Command n  | Action n                   | Notes |
|----------------|----------------|---------------|--|----------------------------|-------|
|                | Previous Cycle | Current Cycle |  |                            |       |
| Self Refresh   | L              | L             | X  | Maintain Self-Refresh      |       |
| Self Refresh   | L              | H             | Deselect or NOP  | Exit Self-Refresh          | 1     |
| Power Down     | L              | L             | X  | Maintain Power Down        |       |
| Power Down     | L              | H             | Deselect or NOP  | Exit Power Down            |       |
| All Banks Idle | H              | L             | Deselect or NOP  | Precharge Power Down Entry |       |
| All Banks Idle | H              | L             | Auto Refresh   | Self Refresh Entry         |       |
| Bank(s) Active | H              | L             | Deselect or NOP  | Active Power Down Entry    |       |
|                | H              | H             | See "Truth Table 3: Current State Bank n - Command to Bank n (Same Bank)" on page 49 |                            |       |

1. Deselect or NOP commands should be issued on any clock edges occurring during the Self Refresh Exit ( $t_{XSNR}$ ) period. A minimum of 200 clock cycles are needed before applying a read command to allow the DLL to lock to the input clock.





**256Mb DDR SDRAM**

**Truth Table 3: Current State Bank n - Command to Bank n (Same Bank)**

| Current State                      | $\overline{CS}$ | $\overline{RAS}$ | $\overline{CAS}$ | $\overline{WE}$ | Command           | Action                                 | Notes       |
|------------------------------------|-----------------|------------------|------------------|-----------------|-------------------|--|-------------|
| Any                                | H               | X                | X                | X               | Deselect          | NOP. Continue previous operation       | 1-6         |
|                                    | L               | H                | H                | H               | No Operation      | NOP. Continue previous operation       | 1-6         |
| Idle                               | L               | L                | H                | H               | Active            | Select and activate row                | 1-6         |
|                                    | L               | L                | L                | H               | Auto Refresh      |  | 1-7         |
|                                    | L               | L                | L                | L               | Mode Register Set |  | 1-7         |
| Row Active                         | L               | H                | L                | H               | Read              | Select column and start Read burst     | 1-6, 10     |
|                                    | L               | H                | L                | L               | Write             | Select column and start Write burst    | 1-6, 10     |
|                                    | L               | L                | H                | L               | Precharge         | Deactivate row in bank(s)              | 1-6, 8      |
| Read<br>(Auto Precharge Disabled)  | L               | H                | L                | H               | Read              | Select column and start new Read burst | 1-6, 10     |
|                                    | L               | L                | H                | L               | Precharge         | Truncate Read burst, start Precharge   | 1-6, 8      |
|                                    | L               | H                | H                | L               | Burst Terminate   | Burst Terminate                        | 1-6, 9      |
| Write<br>(Auto Precharge Disabled) | L               | H                | L                | H               | Read              | Select column and start Read burst     | 1-6, 10, 11 |
|                                    | L               | H                | L                | L               | Write             | Select column and start Write burst    | 1-6, 10     |
|                                    | L               | L                | H                | L               | Precharge         | Truncate Write burst, start Precharge  | 1-6, 8, 11  |

- This table applies when CKE n-1 was high and CKE n is high (see Truth Table 2: Clock Enable (CKE) and after  $t_{XSNR} / t_{XSRD}$  has been met (if the previous state was self refresh).
- This table is bank-specific, except where noted, i.e., the current state is for a specific bank and the commands shown are those allowed to be issued to that bank when in that state. Exceptions are covered in the notes below.
- Current state definitions:  
 Idle: The bank has been precharged, and  $t_{RP}$  has been met.  
 Row Active: A row in the bank has been activated, and  $t_{RCD}$  has been met. No data bursts/accesses and no register accesses are in progress.  
 Read: A Read burst has been initiated, with Auto Precharge disabled, and has not yet terminated or been terminated.  
 Write: A Write burst has been initiated, with Auto Precharge disabled, and has not yet terminated or been terminated.
- The following states must not be interrupted by a command issued to the same bank.  
 Precharging: Starts with registration of a Precharge command and ends when  $t_{RP}$  is met. Once  $t_{RP}$  is met, the bank is in the idle state.  
 Row Activating: Starts with registration of an Active command and ends when  $t_{RCD}$  is met. Once  $t_{RCD}$  is met, the bank is in the "row active" state.  
 Read w/Auto Precharge Enabled: Starts with registration of a Read command with Auto Precharge enabled and ends when  $t_{RP}$  has been met. Once  $t_{RP}$  is met, the bank is in the idle state.  
 Write w/Auto Precharge Enabled: Starts with registration of a Write command with Auto Precharge enabled and ends when  $t_{RP}$  has been met. Once  $t_{RP}$  is met, the bank is in the idle state.  
 Deselect or NOP commands, or allowable commands to the other bank should be issued on any clock edge occurring during these states. Allowable commands to the other bank are determined by its current state and according to Truth Table 4.
- The following states must not be interrupted by any executable command; Deselect or NOP commands must be applied on each positive clock edge during these states.  
 Refreshing: Starts with registration of an Auto Refresh command and ends when  $t_{RFC}$  is met. Once  $t_{RFC}$  is met, the DDR SDRAM is in the "all banks idle" state.  
 Accessing Mode Register: Starts with registration of a Mode Register Set command and ends when  $t_{MRD}$  has been met. Once  $t_{MRD}$  is met, the DDR SDRAM is in the "all banks idle" state.  
 Precharging All: Starts with registration of a Precharge All command and ends when  $t_{RP}$  is met. Once  $t_{RP}$  is met, all banks is in the idle state.
- All states and sequences not shown are illegal or reserved.
- Not bank-specific; requires that all banks are idle.
- May or may not be bank-specific; if all/any banks are to be precharged, all/any must be in a valid state for precharging.
- Not bank-specific; Burst terminate affects the most recent Read burst, regardless of bank.
- Reads or Writes listed in the Command/Action column include Reads or Writes with Auto Precharge enabled and Reads or Writes with Auto Precharge disabled.
- Requires appropriate DM masking.



**256Mb DDR SDRAM**

**Truth Table 4: Current State Bank n - Command to Bank m (Different bank)**  
 (Part 1 of 2)

| Current State                          | $\overline{CS}$ | $\overline{RAS}$ | $\overline{CAS}$ | $\overline{WE}$ | Command                                 | Action                                  | Notes |
|--|-----------------|------------------|------------------|-----------------|---|---|-------|
| Any                                    | H               | X                | X                | X               | Deselect                                | NOP/continue previous operation         | 1-6   |
|  | L               | H                | H                | H               | No Operation                            | NOP/continue previous operation         | 1-6   |
| Idle                                   | X               | X                | X                | X               | Any Command Otherwise Allowed to Bank m |   | 1-6   |
| Row Activating, Active, or Precharging | L               | L                | H                | H               | Active                                  | Select and activate row                 | 1-6   |
|  | L               | H                | L                | H               | Read                                    | Select column and start Read burst      | 1-7   |
|  | L               | H                | L                | L               | Write                                   | Select column and start Write burst     | 1-7   |
|  | L               | L                | H                | L               | Precharge                               |   | 1-6   |
| Read (Auto Precharge Disabled)         | L               | L                | H                | H               | Active                                  | Select and activate row                 | 1-6   |
|  | L               | H                | L                | H               | Read                                    | Select column and start new Read burst  | 1-7   |
|  | L               | L                | H                | L               | Precharge                               |   | 1-6   |
| Write (Auto Precharge Disabled)        | L               | L                | H                | H               | Active                                  | Select and activate row                 | 1-6   |
|  | L               | H                | L                | H               | Read                                    | Select column and start Read burst      | 1-8   |
|  | L               | H                | L                | L               | Write                                   | Select column and start new Write burst | 1-7   |
|  | L               | L                | H                | L               | Precharge                               |   | 1-6   |

- This table applies when CKE n-1 was high and CKE n is high (see Truth Table 2: Clock Enable (CKE) and after  $t_{XSNR} / t_{XSRD}$  has been met (if the previous state was self refresh).
- This table describes alternate bank operation, except where noted, i.e., the current state is for bank n and the commands shown are those allowed to be issued to bank m (assuming that bank m is in such a state that the given command is allowable). Exceptions are covered in the notes below.
- Current state definitions:  
 Idle: The bank has been precharged, and  $t_{RP}$  has been met.  
 Row Active: A row in the bank has been activated, and  $t_{RCD}$  has been met. No data bursts/accesses and no register accesses are in progress.  
 Read: A Read burst has been initiated, with Auto Precharge disabled, and has not yet terminated or been terminated.  
 Write: A Write burst has been initiated, with Auto Precharge disabled, and has not yet terminated or been terminated.  
 Read with Auto Precharge Enabled: See note 10.  
 Write with Auto Precharge Enabled: See note 10.
- Auto Refresh and Mode Register Set commands may only be issued when all banks are idle.
- A Burst Terminate command cannot be issued to another bank; it applies to the bank represented by the current state only.
- All states and sequences not shown are illegal or reserved.
- Reads or Writes listed in the Command/Action column include Reads or Writes with Auto Precharge enabled and Reads or Writes with Auto Precharge disabled.
- Requires appropriate DM masking.
- A Write command may be applied after the completion of data output.
- The Read with Auto Precharge enabled or Write with Auto Precharge enabled states can each be broken into two parts: the access period and the precharge period. For Read with Auto Precharge, the precharge period is defined as if the same burst was executed with Auto Precharge disabled and then followed with the earliest possible Precharge command that still accesses all of the data in the burst. For Write with Auto Precharge, the precharge period begins when  $t_{WR}$  ends, with  $t_{WR}$  measured as if Auto Precharge was disabled. The access period starts with registration of the command and ends where the precharge period (or  $t_{RP}$ ) begins. During the precharge period of the Read with Auto Precharge Enabled or Write with Auto Precharge Enabled states, Active, Precharge, Read, and Write commands to the other bank may be applied; during the access period, only Active and Precharge commands to the other bank may be applied. In either case, all other related limitations apply (e.g. contention between Read data and Write data must be avoided).



**256Mb DDR SDRAM**

**Truth Table 4: Current State Bank n - Command to Bank m (Different bank)**

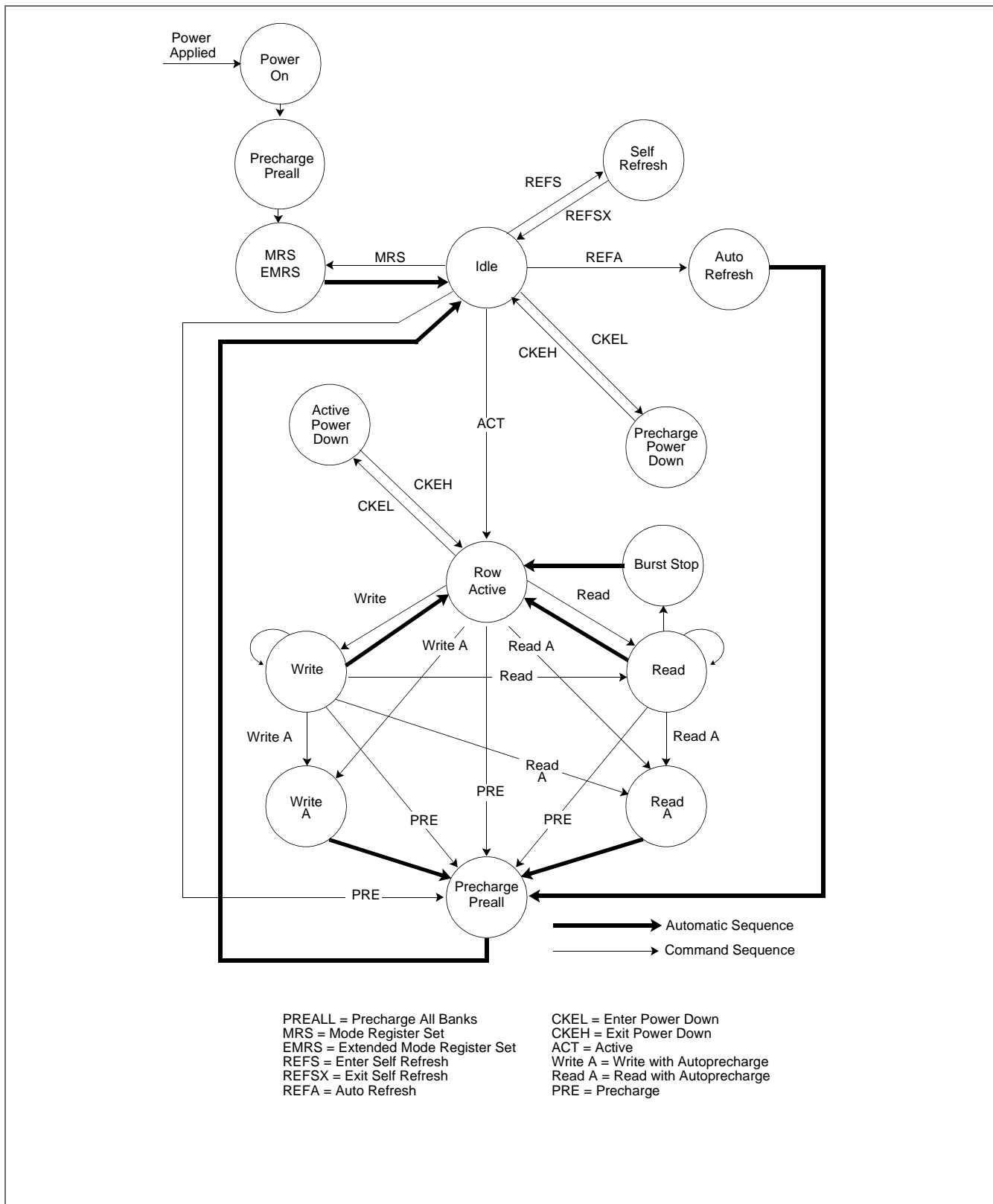
(Part 2 of 2)

| Current State               | $\overline{CS}$ | $\overline{RAS}$ | $\overline{CAS}$ | $\overline{WE}$ | Command   | Action                                  | Notes    |
|-----------------------------|-----------------|------------------|------------------|-----------------|-----------|---|----------|
| Read (With Auto Precharge)  | L               | L                | H                | H               | Active    | Select and activate row                 | 1-6      |
|                             | L               | H                | L                | H               | Read      | Select column and start new Read burst  | 1-7,10   |
|                             | L               | H                | L                | L               | Write     | Select column and start Write burst     | 1-7,9,10 |
|                             | L               | L                | H                | L               | Precharge |   | 1-6      |
| Write (With Auto Precharge) | L               | L                | H                | H               | Active    | Select and activate row                 | 1-6      |
|                             | L               | H                | L                | H               | Read      | Select column and start Read burst      | 1-7,10   |
|                             | L               | H                | L                | L               | Write     | Select column and start new Write burst | 1-7,10   |
|                             | L               | L                | H                | L               | Precharge |   | 1-6      |

1. This table applies when CKE n-1 was high and CKE n is high (see Truth Table 2: Clock Enable (CKE) and after  $t_{XSNR} / t_{XSRD}$  has been met (if the previous state was self refresh).
2. This table describes alternate bank operation, except where noted, i.e., the current state is for bank n and the commands shown are those allowed to be issued to bank m (assuming that bank m is in such a state that the given command is allowable). Exceptions are covered in the notes below.
3. Current state definitions:  
 Idle: The bank has been precharged, and  $t_{RP}$  has been met.  
 Row Active: A row in the bank has been activated, and  $t_{RCD}$  has been met. No data bursts/accesses and no register accesses are in progress.  
 Read: A Read burst has been initiated, with Auto Precharge disabled, and has not yet terminated or been terminated.  
 Write: A Write burst has been initiated, with Auto Precharge disabled, and has not yet terminated or been terminated.  
 Read with Auto Precharge Enabled: See note 10.  
 Write with Auto Precharge Enabled: See note 10.
4. Auto Refresh and Mode Register Set commands may only be issued when all banks are idle.
5. A Burst Terminate command cannot be issued to another bank; it applies to the bank represented by the current state only.
6. All states and sequences not shown are illegal or reserved.
7. Reads or Writes listed in the Command/Action column include Reads or Writes with Auto Precharge enabled and Reads or Writes with Auto Precharge disabled.
8. Requires appropriate DM masking.
9. A Write command may be applied after the completion of data output.
10. The Read with Auto Precharge enabled or Write with Auto Precharge enabled states can each be broken into two parts: the access period and the precharge period. For Read with Auto Precharge, the precharge period is defined as if the same burst was executed with Auto Precharge disabled and then followed with the earliest possible Precharge command that still accesses all of the data in the burst. For Write with Auto Precharge, the precharge period begins when  $t_{WR}$  ends, with  $t_{WR}$  measured as if Auto Precharge was disabled. The access period starts with registration of the command and ends where the precharge period (or  $t_{RP}$ ) begins. During the precharge period of the Read with Auto Precharge Enabled or Write with Auto Precharge Enabled states, Active, Precharge, Read, and Write commands to the other bank may be applied; during the access period, only Active and Precharge commands to the other bank may be applied. In either case, all other related limitations apply (e.g. contention between Read data and Write data must be avoided).

256Mb DDR SDRAM

Simplified State Diagram





## 256Mb DDR SDRAM

### Absolute Maximum Ratings

| Symbol            | Parameter  | Rating                    | Units       |
|-------------------|--|---------------------------|-------------|
| $V_{IN}, V_{OUT}$ | Voltage on I/O pins relative to $V_{SS}$         | $-0.5$ to $V_{DDQ} + 0.5$ | V           |
| $V_{IN}$          | Voltage on Inputs relative to $V_{SS}$           | $-0.5$ to $+3.6$          | V           |
| $V_{DD}$          | Voltage on $V_{DD}$ supply relative to $V_{SS}$  | $-0.5$ to $+3.6$          | V           |
| $V_{DDQ}$         | Voltage on $V_{DDQ}$ supply relative to $V_{SS}$ | $-0.5$ to $+3.6$          | V           |
| $T_A$             | Operating Temperature (Ambient)                  | 0 to $+70$                | $^{\circ}C$ |
| $T_{STG}$         | Storage Temperature (Plastic)                    | $-55$ to $+150$           | $^{\circ}C$ |
| $P_D$             | Power Dissipation                                | 1.0                       | W           |
| $I_{OUT}$         | Short Circuit Output Current                     | 50                        | mA          |

**Note:** Stresses greater than those listed under "Absolute Maximum Ratings" may cause permanent damage to the device. This is a stress rating only, and functional operation of the device at these or any other conditions above those indicated in the operational sections of this specification is not implied. Exposure to absolute maximum rating conditions for extended periods may affect reliability.

### DQS/DQ/DM Slew Rate

| Parameter                 | Symbol      | DDR333<br>6K |     | DDR266B<br>75B |     | Unit | Notes |
|---------------------------|-------------|--------------|-----|----------------|-----|------|-------|
|                           |             | Min          | Max | Min            | Max |      |       |
| DCS/DQ/DM input slew rate | $DC_{SLEW}$ | TBD          | TBD | TBD            | TBD | V/ns | 1, 2  |

1. Measured between  $V_{IH}(DC)$ ,  $V_{IL}(DC)$ , and  $V_{IL}(DC)$ ,  $V_{IH}(DC)$ .

2. DQS, DQ, and DM input slew rate is specified to prevent double clocking of data and preserve setup and hold times. Signal transition through the DC region must be monotonic.



## 256Mb DDR SDRAM

### Capacitance

| Parameter  | Symbol         | Min. | Max. | Units | Notes |
|--|----------------|------|------|-------|-------|
| Input Capacitance: CK, $\overline{\text{CK}}$                  | $C_{I1}$       | 2.0  | 3.0  | pF    | 1     |
| Delta Input Capacitance: CK, $\overline{\text{CK}}$            | delta $C_{I1}$ |      | 0.25 | pF    | 1     |
| Input Capacitance: All other input-only pins (except DM)       | $C_{I2}$       | 2.0  | 3.0  | pF    | 1     |
| Delta Input Capacitance: All other input-only pins (except DM) | delta $C_{I2}$ |      | 0.5  | pF    | 1     |
| Input/Output Capacitance: DQ, DQS, DM                          | $C_{IO}$       | 4.0  | 5.0  | pF    | 1, 2  |
| Delta Input/Output Capacitance: DQ, DQS, DM                    | delta $C_{IO}$ |      | 0.5  | pF    | 1     |

- $V_{DDQ} = V_{DD} = 2.5V \pm 0.2V$  (minimum range to maximum range),  $f = 100\text{MHz}$ ,  $T_A = 25^\circ\text{C}$ ,  $V_{ODC} = V_{DDQ}/2$ ,  $V_{O\text{Peak-Peak}} = 0.2V$ .
- Although DM is an input-only pin, the input capacitance of this pin must model the input capacitance of the DQ and DQS pins. This is required to match input propagation times of DQ, DQS and DM in the system.

### DC Electrical Characteristics and Operating Conditions

( $0^\circ\text{C} \leq T_A \leq 70^\circ\text{C}$ ;  $V_{DDQ} = 2.5V \pm 0.2V$ ,  $V_{DD} = +2.5V \pm 0.2V$ , see AC Characteristics)

| Symbol               | Parameter   | Min                   | Max                   | Units         | Notes |
|----------------------|---|-----------------------|-----------------------|---------------|-------|
| $V_{DD}$             | Supply Voltage  | 2.3                   | 2.7                   | V             | 1     |
| $V_{DDQ}$            | I/O Supply Voltage  | 2.3                   | 2.7                   | V             | 1     |
| $V_{SS}$ , $V_{SSQ}$ | Supply Voltage<br>I/O Supply Voltage  | 0                     | 0                     | V             |       |
| $V_{REF}$            | I/O Reference Voltage   | $0.49 \times V_{DDQ}$ | $0.51 \times V_{DDQ}$ | V             | 1, 2  |
| $V_{TT}$             | I/O Termination Voltage (System)  | $V_{REF} - 0.04$      | $V_{REF} + 0.04$      | V             | 1, 3  |
| $V_{IH(DC)}$         | Input High (Logic1) Voltage   | $V_{REF} + 0.15$      | $V_{DDQ} + 0.3$       | V             | 1     |
| $V_{IL(DC)}$         | Input Low (Logic0) Voltage  | -0.3                  | $V_{REF} - 0.15$      | V             | 1     |
| $V_{IN(DC)}$         | Input Voltage Level, CK and $\overline{\text{CK}}$ Inputs   | -0.3                  | $V_{DDQ} + 0.3$       | V             | 1     |
| $V_{ID(DC)}$         | Input Differential Voltage, CK and $\overline{\text{CK}}$ Inputs  | 0.30                  | $V_{DDQ} + 0.6$       | V             | 1, 4  |
| $V_{IX(DC)}$         | Input Crossing Point Voltage, CK and $\overline{\text{CK}}$ Inputs  | 0.30                  | $V_{DDQ} + 0.6$       | V             | 1, 4  |
| $V_{I\text{Ratio}}$  | V-I Matching Pullup Current to Pulldown Current Ratio   | 0.71                  | 1.4                   |               | 5     |
| $I_I$                | Input Leakage Current<br>Any input $0V \leq V_{IN} \leq V_{DD}$ ; (All other pins not under test = 0V)  | -5                    | 5                     | $\mu\text{A}$ | 1     |
| $I_{OZ}$             | Output Leakage Current<br>(DQs are disabled; $0V \leq V_{out} \leq V_{DDQ}$ )   | -5                    | 5                     | $\mu\text{A}$ | 1     |
| $I_{OH}$             | Output Current: Nominal Strength Driver   | -16.8                 |                       | mA            | 1     |
| $I_{OL}$             | High current ( $V_{OUT} = V_{DDQ} - 0.373V$ , min $V_{REF}$ , min $V_{TT}$ )<br>Low current ( $V_{OUT} = 0.373V$ , max $V_{REF}$ , max $V_{TT}$ ) | 16.8                  |                       |               |       |

- Inputs are not recognized as valid until  $V_{REF}$  stabilizes.
- $V_{REF}$  is expected to be equal to  $0.5 V_{DDQ}$  of the transmitting device, and to track variations in the DC level of the same. Peak-to-peak noise on  $V_{REF}$  may not exceed  $\pm 2\%$  of the DC value.
- $V_{TT}$  is not applied directly to the device.  $V_{TT}$  is a system supply for signal termination resistors, is expected to be set equal to  $V_{REF}$  and must track variations in the DC level of  $V_{REF}$ .
- $V_{ID}$  is the magnitude of the difference between the input level on CK and the input level on  $\overline{\text{CK}}$ .
- The ratio of the pullup current to the pulldown current is specified for the same temperature and voltage, over the entire temperature and voltage range, for device drain to source voltages for 0.25 volts to 1.0 volts. For a given output, it represents the maximum difference between pullup and pulldown drivers due to process variation.



## 256Mb DDR SDRAM

### DC Electrical Characteristics and Operating Conditions

(0°C ≤ T<sub>A</sub> ≤ 70°C; V<sub>DDQ</sub> = 2.5V ± 0.2V, V<sub>DD</sub> = + 2.5V ± 0.2V, see AC Characteristics)

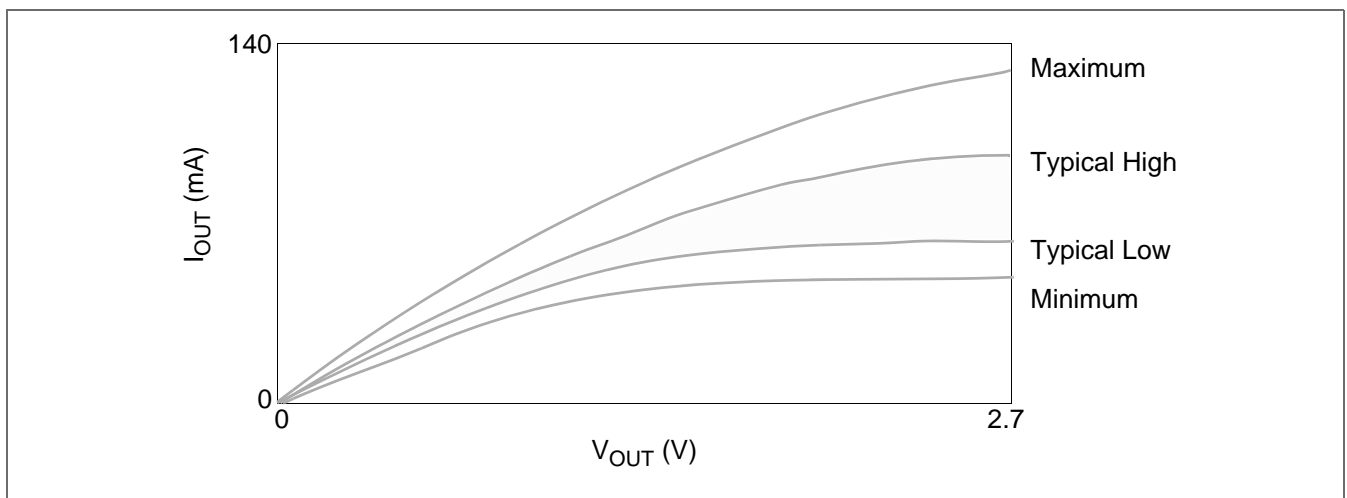
| Symbol          | Parameter  | Min   | Max | Units | Notes |
|-----------------|--|-------|-----|-------|-------|
| I <sub>OH</sub> | Output Current: Half- Strength Driver<br>High current (V <sub>OUT</sub> = V <sub>DDQ</sub> -0.763V, min V <sub>REF</sub> , min V <sub>TT</sub> ) | - 9.0 |     | mA    | 1     |
| I <sub>OL</sub> | Low current (V <sub>OUT</sub> = 0.763V, max V <sub>REF</sub> , max V <sub>TT</sub> )   | 9.0   |     |       |       |

- Inputs are not recognized as valid until V<sub>REF</sub> stabilizes.
- V<sub>REF</sub> is expected to be equal to 0.5 V<sub>DDQ</sub> of the transmitting device, and to track variations in the DC level of the same. Peak-to-peak noise on V<sub>REF</sub> may not exceed ± 2% of the DC value.
- V<sub>TT</sub> is not applied directly to the device. V<sub>TT</sub> is a system supply for signal termination resistors, is expected to be set equal to V<sub>REF</sub> and must track variations in the DC level of V<sub>REF</sub>.
- V<sub>ID</sub> is the magnitude of the difference between the input level on CK and the input level on  $\overline{CK}$ .
- The ratio of the pullup current to the pulldown current is specified for the same temperature and voltage, over the entire temperature and voltage range, for device drain to source voltages for 0.25 volts to 1.0 volts. For a given output, it represents the maximum difference between pullup and pulldown drivers due to process variation.

### Normal Strength Driver Pulldown and Pullup Characteristics

- The full variation in driver pulldown current from minimum to maximum process, temperature and voltage will lie within the outer bounding lines of the V-I curve.
- It is recommended that the "typical" IBIS pulldown V-I curve lie within the shaded region of the V-I curve.

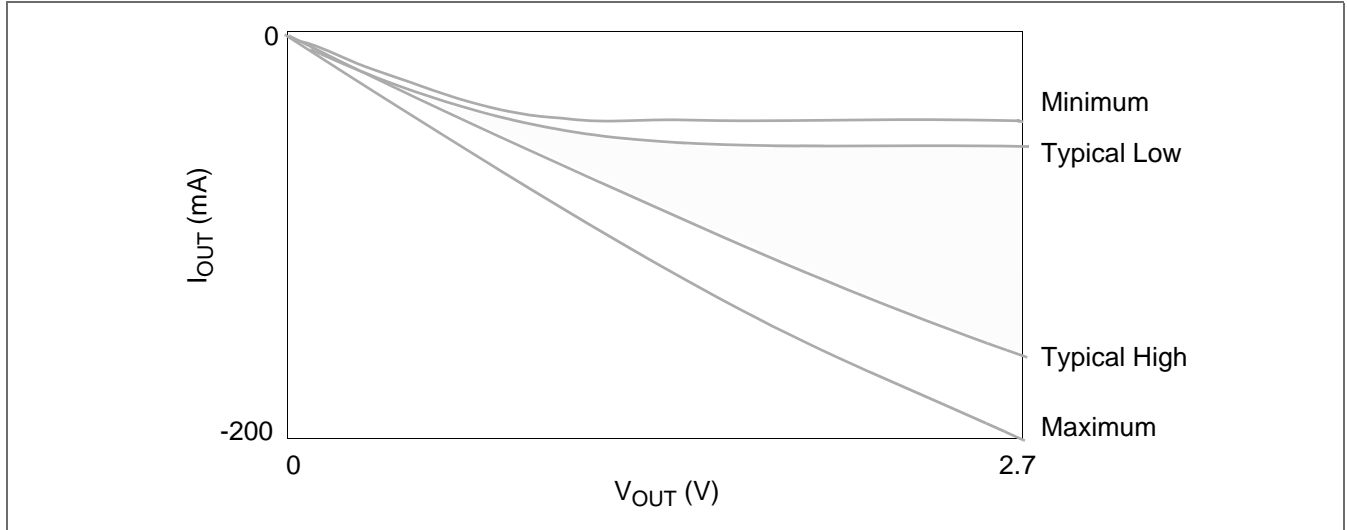
### Normal Strength Driver Pulldown Characteristics



- The full variation in driver pullup current from minimum to maximum process, temperature and voltage will lie within the outer bounding lines of the V-I curve.
- It is recommended that the "typical" IBIS pullup V-I curve lie within the shaded region of the V-I curve.

## 256Mb DDR SDRAM

### Normal Strength Driver Pullup Characteristics



5. The full variation in the ratio of the maximum to minimum pullup and pulldown current will not exceed 1.7, for device drain to source voltages from 0.1 to 1.0.
6. The full variation in the ratio of the "typical" IBIS pullup to "typical" IBIS pulldown current should be unity  $\pm$  10%, for device drain to source voltages from 0.1 to 1.0. This specification is a design objective only. It is not guaranteed.
7. These characteristics are intended to obey the SSTL\_2 class II standard.
8. This specification is intended for DDR SDRAM only.





**256Mb DDR SDRAM**

**Normal Strength Driver Pulldown and Pullup Currents**

| Voltage (V) | Pulldown Current (mA) |              |      |       | Pullup Current (mA) |              |       |        |
|-------------|-----------------------|--------------|------|-------|---------------------|--------------|-------|--------|
|             | Typical Low           | Typical High | Min  | Max   | Typical Low         | Typical High | Min   | Max    |
| 0.1         | 6.0                   | 6.8          | 4.6  | 9.6   | -6.1                | -7.6         | -4.6  | -10.0  |
| 0.2         | 12.2                  | 13.5         | 9.2  | 18.2  | -12.2               | -14.5        | -9.2  | -20.0  |
| 0.3         | 18.1                  | 20.1         | 13.8 | 26.0  | -18.1               | -21.2        | -13.8 | -29.8  |
| 0.4         | 24.1                  | 26.6         | 18.4 | 33.9  | -24.0               | -27.7        | -18.4 | -38.8  |
| 0.5         | 29.8                  | 33.0         | 23.0 | 41.8  | -29.8               | -34.1        | -23.0 | -46.8  |
| 0.6         | 34.6                  | 39.1         | 27.7 | 49.4  | -34.3               | -40.5        | -27.7 | -54.4  |
| 0.7         | 39.4                  | 44.2         | 32.2 | 56.8  | -38.1               | -46.9        | -32.2 | -61.8  |
| 0.8         | 43.7                  | 49.8         | 36.8 | 63.2  | -41.1               | -53.1        | -36.0 | -69.5  |
| 0.9         | 47.5                  | 55.2         | 39.6 | 69.9  | -43.8               | -59.4        | -38.2 | -77.3  |
| 1.0         | 51.3                  | 60.3         | 42.6 | 76.3  | -46.0               | -65.5        | -38.7 | -85.2  |
| 1.1         | 54.1                  | 65.2         | 44.8 | 82.5  | -47.8               | -71.6        | -39.0 | -93.0  |
| 1.2         | 56.2                  | 69.9         | 46.2 | 88.3  | -49.2               | -77.6        | -39.2 | -100.6 |
| 1.3         | 57.9                  | 74.2         | 47.1 | 93.8  | -50.0               | -83.6        | -39.4 | -108.1 |
| 1.4         | 59.3                  | 78.4         | 47.4 | 99.1  | -50.5               | -89.7        | -39.6 | -115.5 |
| 1.5         | 60.1                  | 82.3         | 47.7 | 103.8 | -50.7               | -95.5        | -39.9 | -123.0 |
| 1.6         | 60.5                  | 85.9         | 48.0 | 108.4 | -51.0               | -101.3       | -40.1 | -130.4 |
| 1.7         | 61.0                  | 89.1         | 48.4 | 112.1 | -51.1               | -107.1       | -40.2 | -136.7 |
| 1.8         | 61.5                  | 92.2         | 48.9 | 115.9 | -51.3               | -112.4       | -40.3 | -144.2 |
| 1.9         | 62.0                  | 95.3         | 49.1 | 119.6 | -51.5               | -118.7       | -40.4 | -150.5 |
| 2.0         | 62.5                  | 97.2         | 49.4 | 123.3 | -51.6               | -124.0       | -40.5 | -156.9 |
| 2.1         | 62.9                  | 99.1         | 49.6 | 126.5 | -51.8               | -129.3       | -40.6 | -163.2 |
| 2.2         | 63.3                  | 100.9        | 49.8 | 129.5 | -52.0               | -134.6       | -40.7 | -169.6 |
| 2.3         | 63.8                  | 101.9        | 49.9 | 132.4 | -52.2               | -139.9       | -40.8 | -176.0 |
| 2.4         | 64.1                  | 102.8        | 50.0 | 135.0 | -52.3               | -145.2       | -40.9 | -181.3 |
| 2.5         | 64.6                  | 103.8        | 50.2 | 137.3 | -52.5               | -150.5       | -41.0 | -187.6 |
| 2.6         | 64.8                  | 104.6        | 50.4 | 139.2 | -52.7               | -155.3       | -41.1 | -192.9 |
| 2.7         | 65.0                  | 105.4        | 50.5 | 140.8 | -52.8               | -160.1       | -41.2 | -198.2 |

**Normal Strength Driver Evaluation Conditions**

|                               | Typical         | Minimum           | Maximum           |
|-------------------------------|-----------------|-------------------|-------------------|
| Temperature ( $T_{ambient}$ ) | 25 °C           | 70 °C             | 0 °C              |
| $V_{DDQ}$                     | 2.5V            | 2.3V              | 2.7V              |
| Process conditions            | typical process | slow-slow process | fast-fast process |

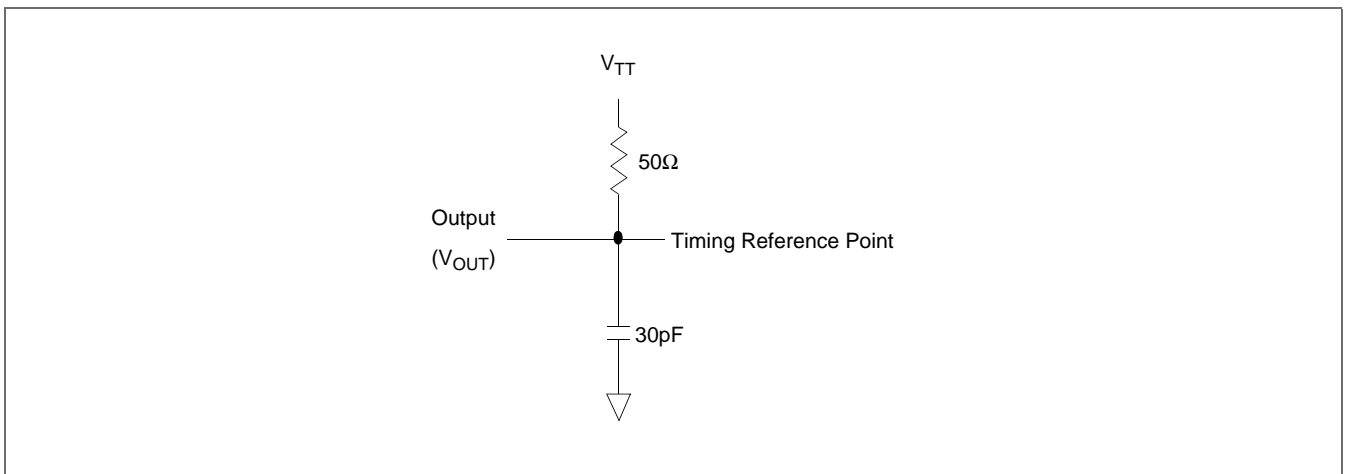
## 256Mb DDR SDRAM

### AC Characteristics

(Notes 1-5 apply to the following Tables; Electrical Characteristics and DC Operating Conditions, AC Operating Conditions,  $I_{DD}$  Specifications and Conditions, and Electrical Characteristics and AC Timing.)

1. All voltages referenced to  $V_{SS}$ .
2. Tests for AC timing,  $I_{DD}$ , and electrical, AC and DC characteristics, may be conducted at nominal reference/supply voltage levels, but the related specifications and device operation are guaranteed for the full voltage range specified.
3. Outputs measured with equivalent load. Refer to the AC Output Load Circuit below.
4. AC timing and  $I_{DD}$  tests may use a  $V_{IL}$  to  $V_{IH}$  swing of up to 1.5V in the test environment, but input timing is still referenced to  $V_{REF}$  (or to the crossing point for CK,  $\overline{CK}$ ), and parameter specifications are guaranteed for the specified AC input levels under normal use conditions. The minimum slew rate for the input signals is 1V/ns in the range between  $V_{IL(AC)}$  and  $V_{IH(AC)}$ .
5. The AC and DC input level specifications are as defined in the SSTL\_2 Standard (i.e. the receiver effectively switches as a result of the signal crossing the AC input level, and remains in that state as long as the signal does not ring back above (below) the DC input low (high) level.

### AC Output Load Circuit Diagrams





## 256Mb DDR SDRAM

### AC Input Operating Conditions (0 °C ≤ T<sub>A</sub> ≤ 70 °C; V<sub>DDQ</sub> = 2.5V ± 0.2V; V<sub>DD</sub> = 2.5V ± 0.2V, See AC Characteristics)

| Symbol              | Parameter/Condition  | Min                        | Max                        | Unit | Notes   |
|---------------------|--|----------------------------|----------------------------|------|---------|
| V <sub>IH(AC)</sub> | Input High (Logic 1) Voltage, DQ, DQS, and DM Signals              | V <sub>REF</sub> + 0.31    |                            | V    | 1, 2    |
| V <sub>IL(AC)</sub> | Input Low (Logic 0) Voltage, DQ, DQS, and DM Signals               |                            | V <sub>REF</sub> - 0.31    | V    | 1, 2    |
| V <sub>ID(AC)</sub> | Input Differential Voltage, CK and $\overline{\text{CK}}$ Inputs   | 0.62                       | V <sub>DDQ</sub> + 0.6     | V    | 1, 2, 3 |
| V <sub>IX(AC)</sub> | Input Crossing Point Voltage, CK and $\overline{\text{CK}}$ Inputs | 0.5*V <sub>DDQ</sub> - 0.2 | 0.5*V <sub>DDQ</sub> + 0.2 | V    | 1, 2, 4 |

1. Input slew rate = 1V/ns.
2. Inputs are not recognized as valid until V<sub>REF</sub> stabilizes.
3. V<sub>ID</sub> is the magnitude of the difference between the input level on CK and the input level on  $\overline{\text{CK}}$ .
4. The value of V<sub>IX</sub> is expected to equal 0.5\*V<sub>DDQ</sub> of the transmitting device and must track variations in the DC level of the same.

### I<sub>DD</sub> Specifications and Conditions (0 °C ≤ T<sub>A</sub> ≤ 70 °C; V<sub>DDQ</sub> = 2.5V ± 0.2V; V<sub>DD</sub> = 2.5V ± 0.2V, See AC Characteristics)

| Symbol            | Parameter/Condition   | DDR333<br>6KL<br>t <sub>CK</sub> =6ns | DDR333<br>6K<br>t <sub>CK</sub> =6ns | DDR266B<br>75B<br>t <sub>CK</sub> =7.5ns | Unit | Notes |
|-------------------|---|---------------------------------------|--------------------------------------|--|------|-------|
| I <sub>DD0</sub>  | <b>Operating Current:</b> one bank; active / precharge; t <sub>RC</sub> = t <sub>RC</sub> (min); DQ, DM, and DQS inputs changing twice per clock cycle; address and control inputs changing once per clock cycle  | 105                                   | 105                                  | 95                                       | mA   | 1     |
| I <sub>DD1</sub>  | <b>Operating Current:</b> one bank; active / read / precharge; Burst = 2; t <sub>RC</sub> = t <sub>RC</sub> (min); CL = 2.5; I <sub>OUT</sub> = 0mA; address and control inputs changing once per clock cycle   | 120                                   | 120                                  | 110                                      | mA   | 1     |
| I <sub>DD2P</sub> | <b>Precharge Power Down Standby Current:</b> all banks idle; Power Down mode; CKE ≤ V <sub>IL</sub> (max)   | 20                                    | 20                                   | 20                                       | mA   | 1     |
| I <sub>DD2N</sub> | <b>Idle Standby Current:</b> $\overline{\text{CS}} \geq V_{IH}$ (min); all banks idle; CKE ≥ V <sub>IH</sub> (min); address and control inputs changing once per clock cycle  | 45                                    | 45                                   | 40                                       | mA   | 1     |
| I <sub>DD3P</sub> | <b>Active Power Down Standby Current:</b> one bank active; Power Down mode; CKE ≤ V <sub>IL</sub> (max)   | 21                                    | 21                                   | 18                                       | mA   | 1     |
| I <sub>DD3N</sub> | <b>Active Standby Current:</b> one bank; active / precharge; $\overline{\text{CS}} \geq V_{IH}$ (min); CKE ≥ V <sub>IH</sub> (min); t <sub>RC</sub> = t <sub>RAS</sub> (max); DQ, DM, and DQS inputs changing twice per clock cycle; address and control inputs changing once per clock cycle | 75                                    | 75                                   | 65                                       | mA   | 1     |
| I <sub>DD4R</sub> | <b>Operating Current:</b> one bank; Burst = 2; reads; continuous burst; address and control inputs changing once per clock cycle; DQ and DQS outputs changing twice per clock cycle; CL = 2.5; I <sub>OUT</sub> = 0mA   | 200                                   | 200                                  | 165                                      | mA   | 1     |
| I <sub>DD4W</sub> | <b>Operating Current:</b> one bank; Burst = 2; writes; continuous burst; address and control inputs changing once per clock cycle; DQ and DQS inputs changing twice per clock cycle; CL = 2.5   | 195                                   | 195                                  | 160                                      | mA   | 1     |
| I <sub>DD5</sub>  | <b>Auto-Refresh Current:</b> t <sub>RC</sub> = t <sub>RFC</sub> (min)   | 175                                   | 175                                  | 170                                      | mA   | 1     |
| I <sub>DD6</sub>  | <b>Self-Refresh Current:</b> CKE ≤ 0.2V   | <=1.5                                 | 3                                    | 3  | mA   | 1, 2  |
| I <sub>DD7</sub>  | <b>Operating current:</b> four bank; four bank interleaving with BL = 4, address and control inputs randomly changing; 50% of data changing at every transfer; t <sub>RC</sub> = t <sub>RC</sub> (min); I <sub>OUT</sub> = 0mA.   | 325                                   | 325                                  | 250                                      | mA   | 1     |

1. I<sub>DD</sub> specifications are tested after the device is properly initialized.
2. Enables on-chip refresh and address counters.



## 256Mb DDR SDRAM

### Electrical Characteristics & AC Timing - Absolute Specifications

(0 °C ≤ T<sub>A</sub> ≤ 70 °C; V<sub>DDQ</sub> = 2.5V ± 0.2V; V<sub>DD</sub> = 2.5V ± 0.2V, See AC Characteristics) (Part 1 of 2)

| Symbol             | Parameter  |              | DDR333<br>6K/6KL                         |        | DDR266B<br>75B                           |        | Unit            | Notes                  |
|--------------------|--|--------------|--|--------|--|--------|-----------------|------------------------|
|                    |  |              | Min                                      | Max    | Min                                      | Max    |                 |                        |
| t <sub>AC</sub>    | DQ output access time from CK/ $\overline{\text{CK}}$  |              | - 0.7                                    | + 0.7  | - 0.75                                   | + 0.75 | ns              | 1-4                    |
| t <sub>DQSK</sub>  | DQS output access time from CK/ $\overline{\text{CK}}$   |              | - 0.6                                    | + 0.6  | - 0.75                                   | + 0.75 | ns              | 1-4                    |
| t <sub>CH</sub>    | CK high-level width  |              | 0.45                                     | 0.55   | 0.45                                     | 0.55   | t <sub>CK</sub> | 1-4                    |
| t <sub>CL</sub>    | CK low-level width   |              | 0.45                                     | 0.55   | 0.45                                     | 0.55   | t <sub>CK</sub> | 1-4                    |
| t <sub>CK</sub>    | Clock cycle time   | CL = 2.5     | 6  | 12     | 7.5                                      | 12     | ns              | 1-4                    |
|                    |  | CL = 2.0     | 7.5                                      | 12     | 10                                       | 12     |                 |                        |
| t <sub>DH</sub>    | DQ and DM input hold time  |              | 0.45                                     |        | 0.5                                      |        | ns              | 1-4,<br>15, 16         |
| t <sub>DS</sub>    | DQ and DM input setup time   |              | 0.45                                     |        | 0.5                                      |        | ns              | 1-4,<br>15, 16         |
| t <sub>IPW</sub>   | Input pulse width  |              | 2.2                                      |        | 2.2                                      |        | ns              | 2-4, 12                |
| t <sub>DIPW</sub>  | DQ and DM input pulse width (each input)   |              | 1.75                                     |        | 1.75                                     |        | ns              | 1-4                    |
| t <sub>HZ</sub>    | Data-out high-impedance time from CK/ $\overline{\text{CK}}$   |              | - 0.7                                    | + 0.7  | - 0.75                                   | + 0.75 | ns              | 1-4, 5                 |
| t <sub>LZ</sub>    | Data-out low-impedance time from CK/ $\overline{\text{CK}}$  |              | - 0.7                                    | + 0.7  | - 0.75                                   | + 0.75 | ns              | 1-4, 5                 |
| t <sub>DQSQ</sub>  | DQS-DQ skew (DQS & associated DQ signals)  | TSOP Package |  | + 0.45 |  | + 0.5  | ns              | 1-4                    |
|                    |  | BGA Package  |  | + 0.4  |  | + 0.5  | ns              | 1-4                    |
| t <sub>HP</sub>    | Minimum half clk period for any given cycle; defined by clk high (t <sub>CH</sub> ) or clk low (t <sub>CL</sub> ) time |              | min (t <sub>CL</sub> , t <sub>CH</sub> ) |        | min (t <sub>CL</sub> , t <sub>CH</sub> ) |        | t <sub>CK</sub> | 1-4                    |
| t <sub>QH</sub>    | Data output hold time from DQS   |              | t <sub>HP</sub> - t <sub>QHS</sub>       |        | t <sub>HP</sub> - t <sub>QHS</sub>       |        | t <sub>CK</sub> | 1-4                    |
| t <sub>QHS</sub>   | Data hold Skew Factor  | TSOP Package |  | 0.55   |  | 0.75   | t <sub>CK</sub> | 1-4                    |
|                    |  | BGA Package  |  | 0.5    |  | 0.75   | t <sub>CK</sub> | 1-4                    |
| t <sub>DQSS</sub>  | Write command to 1st DQS latching transition   |              | 0.75                                     | 1.25   | 0.75                                     | 1.25   | t <sub>CK</sub> | 1-4                    |
| t <sub>DQSH</sub>  | DQS input high pulse width (write cycle)   |              | 0.35                                     |        | 0.35                                     |        | t <sub>CK</sub> | 1-4                    |
| t <sub>DQSL</sub>  | DQS input low pulse width (write cycle)  |              | 0.35                                     |        | 0.35                                     |        | t <sub>CK</sub> | 1-4                    |
| t <sub>DSS</sub>   | DQS falling edge to CK setup time (write cycle)  |              | 0.2                                      |        | 0.2                                      |        | t <sub>CK</sub> | 1-4                    |
| t <sub>DSH</sub>   | DQS falling edge hold time from CK (write cycle)   |              | 0.2                                      |        | 0.2                                      |        | t <sub>CK</sub> | 1-4                    |
| t <sub>MRD</sub>   | Mode register set command cycle time   |              | 2  |        | 2  |        | t <sub>CK</sub> | 1-4                    |
| t <sub>WPRES</sub> | Write preamble setup time  |              | 0  |        | 0  |        | ns              | 1-4, 7                 |
| t <sub>WPST</sub>  | Write postamble  |              | 0.40                                     | 0.60   | 0.40                                     | 0.60   | t <sub>CK</sub> | 1-4, 6                 |
| t <sub>WPRE</sub>  | Write preamble   |              | 0.25                                     |        | 0.25                                     |        | t <sub>CK</sub> | 1-4                    |
| t <sub>IH</sub>    | Address and control input hold time (fast slew rate)   |              | 0.75                                     |        | 0.9                                      |        | ns              | 2-4, 9,<br>11, 12      |
| t <sub>IS</sub>    | Address and control input setup time (fast slew rate)  |              | 0.75                                     |        | 0.9                                      |        | ns              | 2-4, 9,<br>11, 12      |
| t <sub>IH</sub>    | Address and control input hold time (slow slew rate)   |              | 0.8                                      |        | 1.0                                      |        | ns              | 2-4, 10,<br>11, 12, 14 |



## 256Mb DDR SDRAM

### Electrical Characteristics & AC Timing - Absolute Specifications

(0 °C ≤ T<sub>A</sub> ≤ 70 °C; V<sub>DDQ</sub> = 2.5V ± 0.2V; V<sub>DD</sub> = 2.5V ± 0.2V, See AC Characteristics) (Part 2 of 2)

| Symbol            | Parameter   | DDR333<br>6K/6KL  |         | DDR266B<br>75B  |         | Unit            | Notes               |
|-------------------|---|---|---------|---|---------|-----------------|---------------------|
|                   |   | Min   | Max     | Min   | Max     |                 |                     |
| t <sub>IS</sub>   | Address and control input setup time (slow slew rate) | 0.8   |         | 1.0   |         | ns              | 2-4, 10, 11, 12, 14 |
| t <sub>RPRE</sub> | Read preamble   | 0.9   | 1.1     | 0.9   | 1.1     | t <sub>CK</sub> | 1-4                 |
| t <sub>RPST</sub> | Read postamble  | 0.40  | 0.60    | 0.40  | 0.60    | t <sub>CK</sub> | 1-4                 |
| t <sub>RAS</sub>  | Active to Precharge command                           | 42  | 120,000 | 45  | 120,000 | ns              | 1-4                 |
| t <sub>RC</sub>   | Active to Active/Auto-refresh command period          | 60  |         | 65  |         | ns              | 1-4                 |
| t <sub>RFC</sub>  | Auto-refresh to Active/Auto-refresh command period    | 72  |         | 75  |         | ns              | 1-4                 |
| t <sub>RCD</sub>  | Active to Read or Write delay                         | 18  |         | 20  |         | ns              | 1-4                 |
| t <sub>RAP</sub>  | Active to Read Command with Autoprecharge             | min<br>(t <sub>RCD</sub> , t <sub>RAS</sub> )                                   |         | min<br>(t <sub>RCD</sub> , t <sub>RAS</sub> )                                   |         | ns              | 1-4                 |
| t <sub>RP</sub>   | Precharge command period                              | 18  |         | 20  |         | ns              | 1-4                 |
| t <sub>RRD</sub>  | Active bank A to Active bank B command                | 12  |         | 15  |         | ns              | 1-4                 |
| t <sub>WR</sub>   | Write recovery time                                   | 15  |         | 15  |         | ns              | 1-4                 |
| t <sub>DAL</sub>  | Auto precharge write recovery + precharge time        | (t <sub>WR</sub> /t <sub>CK</sub> )<br>+<br>(t <sub>RP</sub> /t <sub>CK</sub> ) |         | (t <sub>WR</sub> /t <sub>CK</sub> )<br>+<br>(t <sub>RP</sub> /t <sub>CK</sub> ) |         | t <sub>CK</sub> | 1-4, 13             |
| t <sub>WTR</sub>  | Internal write to read command delay                  | 1   |         | 1   |         | t <sub>CK</sub> | 1-4                 |
| t <sub>PDEX</sub> | Power down exit time                                  | 6   |         | 7.5   |         | ns              | 1-4                 |
| t <sub>XSNR</sub> | Exit self-refresh to non-read command                 | 75  |         | 75  |         | ns              | 1-4                 |
| t <sub>XSRD</sub> | Exit self-refresh to read command                     | 200   |         | 200   |         | t <sub>CK</sub> | 1-4                 |
| t <sub>REFI</sub> | Average Periodic Refresh Interval                     |   | 7.8     |   | 7.8     | μs              | 1-4, 8              |

## 256Mb DDR SDRAM

### Electrical Characteristics & AC Timing - Absolute Specifications Notes

1. Input slew rate = 1V/ns.
2. The CK/ $\overline{\text{CK}}$  input reference level (for timing reference to CK/ $\overline{\text{CK}}$ ) is the point at which CK and  $\overline{\text{CK}}$  cross; the input reference level for signals other than CK/ $\overline{\text{CK}}$  is  $V_{\text{REF}}$ .
3. Inputs are not recognized as valid until  $V_{\text{REF}}$  stabilizes.
4. The Output timing reference level, as measured at the timing reference point indicated in AC Characteristics (Note 3) is  $V_{\text{TT}}$ .
5.  $t_{\text{HZ}}$  and  $t_{\text{LZ}}$  transitions occur in the same access time windows as valid data transitions. These parameters are not referred to a specific voltage level, but specify when the device is no longer driving (HZ), or begins driving (LZ).
6. The maximum limit for this parameter is not a device limit. The device operates with a greater value for this parameter, but system performance (bus turnaround) degrades accordingly.
7. The specific requirement is that DQS be valid (high, low, or some point on a valid transition) on or before this CK edge. A valid transition is defined as monotonic and meeting the input slew rate specifications of the device. When no writes were previously in progress on the bus, DQS will be transitioning from Hi-Z to logic LOW. If a previous write was in progress, DQS could be HIGH, LOW, or transitioning from high to low at this time, depending on  $t_{\text{DQSS}}$ .
8. A maximum of eight Autorefresh commands can be posted to any given DDR SDRAM device.
9. For command/address input slew rate  $\geq 1.0\text{V/ns}$ . Slew rate is measured between  $V_{\text{OH}}$  (AC) and  $V_{\text{OL}}$  (AC).
10. For command/address input slew rate  $\geq 0.5\text{V/ns}$  and  $< 1.0\text{V/ns}$ . Slew rate is measured between  $V_{\text{OH}}$  (AC) and  $V_{\text{OL}}$  (AC).
11. CK/ $\overline{\text{CK}}$  slew rates are  $\geq 1.0\text{V/ns}$ .
12. These parameters guarantee device timing, but they are not necessarily tested on each device, and they may be guaranteed by design or tester characterization.
13. For each of the terms in parentheses, if not already an integer, round to the next highest integer.  $t_{\text{CK}}$  is equal to the actual system clock cycle time. For example, for DDR266B at CL = 2.5,  $t_{\text{DAL}} = (15\text{ns}/7.5\text{ns}) + (20\text{ns}/7.5\text{ns}) = 2 + 3 = 5$ .



## 256Mb DDR SDRAM

14. An input setup and hold time derating table is used to increase  $t_{IS}$  and  $t_{IH}$  in the case where the input slew rate is below 0.5 V/ns.

| Input Slew Rate | delta ( $t_{IS}$ ) | delta ( $t_{IH}$ ) | Unit | Notes |
|-----------------|--------------------|--------------------|------|-------|
| 0.5 V/ns        | 0                  | 0                  | ps   | 1,2   |
| 0.4 V/ns        | +50                | 0                  | ps   | 1,2   |
| 0.3 V/ns        | +100               | 0                  | ps   | 1,2   |

1. Input slew rate is based on the lesser of the slew rates determined by either  $V_{IH}(AC)$  to  $V_{IL}(AC)$  or  $V_{IH}(DC)$  to  $V_{IL}(DC)$ , similarly for rising transitions.
2. These derating parameters may be guaranteed by design or tester characterization and are not necessarily tested on each device.

15. An input setup and hold time derating table is used to increase  $t_{DS}$  and  $t_{DH}$  in the case where the I/O slew rate is below 0.5 V/ns.

| Input Slew Rate | delta ( $t_{DS}$ ) | delta ( $t_{DH}$ ) | Unit | Notes |
|-----------------|--------------------|--------------------|------|-------|
| 0.5 V/ns        | 0                  | 0                  | ps   | 1,2   |
| 0.4 V/ns        | +75                | +75                | ps   | 1,2   |
| 0.3 V/ns        | +150               | +150               | ps   | 1,2   |

1. I/O slew rate is based on the lesser of the slew rates determined by either  $V_{IH}(AC)$  to  $V_{IL}(AC)$  or  $V_{IH}(DC)$  to  $V_{IL}(DC)$ , similarly for rising transitions.
2. These derating parameters may be guaranteed by design or tester characterization and are not necessarily tested on each device.

16. An I/O Delta Rise, Fall Derating table is used to increase  $t_{DS}$  and  $t_{DH}$  in the case where DQ, DM, and DQS slew rates differ.

| Input Slew Rate | delta ( $t_{DS}$ ) | delta ( $t_{DH}$ ) | Unit | Notes   |
|-----------------|--------------------|--------------------|------|---------|
| 0.0 V/ns        | 0                  | 0                  | ps   | 1,2,3,4 |
| 0.25 V/ns       | +50                | +50                | ps   | 1,2,3,4 |
| 0.5 V/ns        | +100               | +100               | ps   | 1,2,3,4 |

1. Input slew rate is based on the lesser of the slew rates determined by either  $V_{IH}(AC)$  to  $V_{IL}(AC)$  or  $V_{IH}(DC)$  to  $V_{IL}(DC)$ , similarly for rising transitions.
2. Input slew rate is based on the larger of AC to AC delta rise, fall rate and DC to DC delta rise, fall rate.
3. The delta rise, fall rate is calculated as:  $[1/(\text{slew rate } 1)] - [1/(\text{slew rate } 2)]$   
 For example: slew rate 1 = 0.5 V/ns; slew rate 2 = 0.4 V/ns  
 Delta rise, fall =  $(1/0.5) - (1/0.4)$  [ns/V]  
 = -0.5 ns/V  
 Using the table above, this would result in an increase in  $t_{DS}$  and  $t_{DH}$  of 100 ps.
4. These derating parameters may be guaranteed by design or tester characterization and are not necessarily tested on each device.



**256Mb DDR SDRAM**

**Electrical Characteristics & AC Timing for DDR333/DDR266 - Absolute Specifications**  
**Expressed in Clock Cycles** ( $0\text{ }^{\circ}\text{C} \leq T_A \leq 70\text{ }^{\circ}\text{C}$ ;  $V_{DDQ} = 2.5\text{V} \pm 0.2\text{V}$ ;  $V_{DD} = 2.5\text{V} \pm 0.2\text{V}$ , See AC Characteristics)

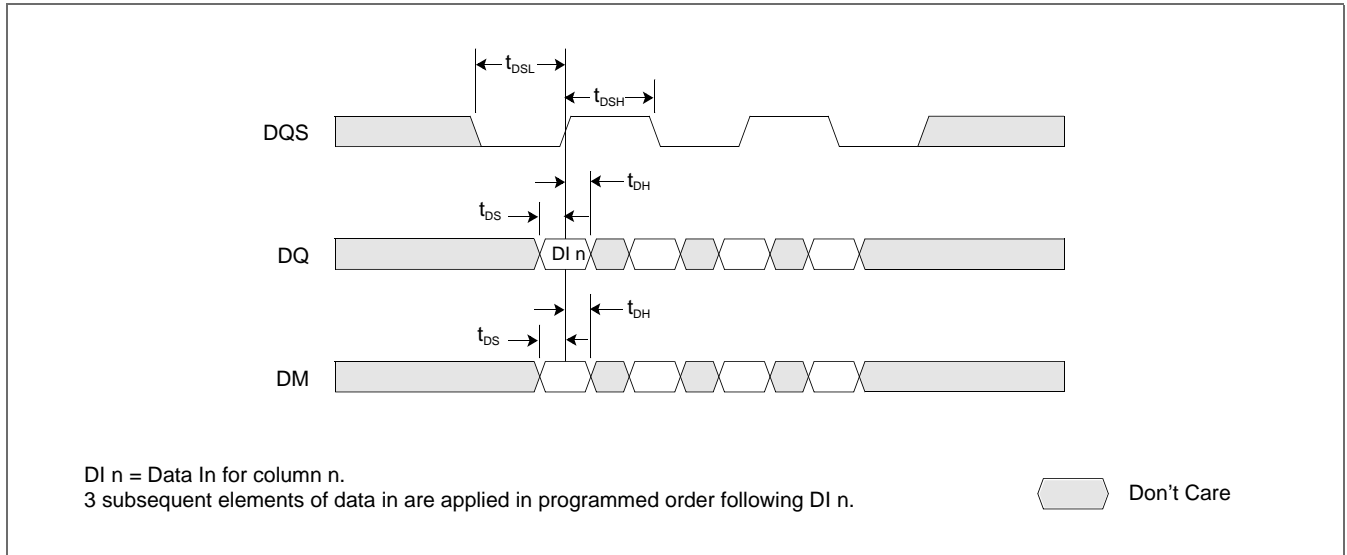
| Symbol     | Parameter  | $t_{CK} = 6.0\text{ns}$ |       | $t_{CK} = 7.5\text{ns}$ |       | Units    | Notes |
|------------|--|-------------------------|-------|-------------------------|-------|----------|-------|
|            |  | Min                     | Max   | Min                     | Max   |          |       |
| $t_{MRD}$  | Mode register set command cycle time               | 2                       |       | 2                       |       | $t_{CK}$ | 1-4   |
| $t_{WPRE}$ | Write preamble                                     | 0.25                    |       | 0.25                    |       | $t_{CK}$ | 1-4   |
| $t_{RAS}$  | Active to Precharge command                        | 7                       | 20000 | 6                       | 16000 | $t_{CK}$ | 1-4   |
| $t_{RC}$   | Active to Active/Auto-refresh command period       | 10                      |       | 9                       |       | $t_{CK}$ | 1-4   |
| $t_{RFC}$  | Auto-refresh to Active/Auto-refresh command period | 12                      |       | 10                      |       | $t_{CK}$ | 1-4   |
| $t_{RCD}$  | Active to Read or Write delay                      | 3                       |       | 3                       |       | $t_{CK}$ | 1-4   |
| $t_{RAP}$  | Active to Read Command with Autoprecharge          | 3                       |       | 3                       |       | $t_{CK}$ | 1-4   |
| $t_{RP}$   | Precharge command period                           | 3                       |       | 3                       |       | $t_{CK}$ | 1-4   |
| $t_{RRD}$  | Active bank A to Active bank B command             | 2                       |       | 2                       |       | $t_{CK}$ | 1-4   |
| $t_{WR}$   | Write recovery time                                | 3                       |       | 2                       |       | $t_{CK}$ | 1-4   |
| $t_{DAL}$  | Auto precharge write recovery + precharge time     | 6                       |       | 5                       |       | $t_{CK}$ | 1-5   |
| $t_{WTR}$  | Internal write to read command delay               | 1                       |       | 1                       |       | $t_{CK}$ | 1-4   |
| $t_{XSNR}$ | Exit self-refresh to non-read command              | 13                      |       | 10                      |       | $t_{CK}$ | 1-4   |
| $t_{XSRD}$ | Exit self-refresh to read command                  | 200                     |       | 200                     |       | $t_{CK}$ | 1-4   |

1. Input slew rate = 1V/ns
2. The  $\overline{CK}/\overline{CK}$  input reference level (for timing reference to  $\overline{CK}/\overline{CK}$ ) is the point at which  $\overline{CK}$  and  $\overline{CK}$  cross: the input reference level for signals other than  $\overline{CK}/\overline{CK}$ , is  $V_{REF}$ .
3. Inputs are not recognized as valid until  $V_{REF}$  stabilizes.
4. The Output timing reference level, as measured at the timing reference point indicated in AC Characteristics (Note 3) is  $V_{TT}$ .
5.  $t_{HZ}$  and  $t_{LZ}$  transitions occur in the same access time windows as valid data transitions. These parameters are not referred to a specific voltage level, but specify when the device is no longer driving (HZ), or begins driving (LZ).

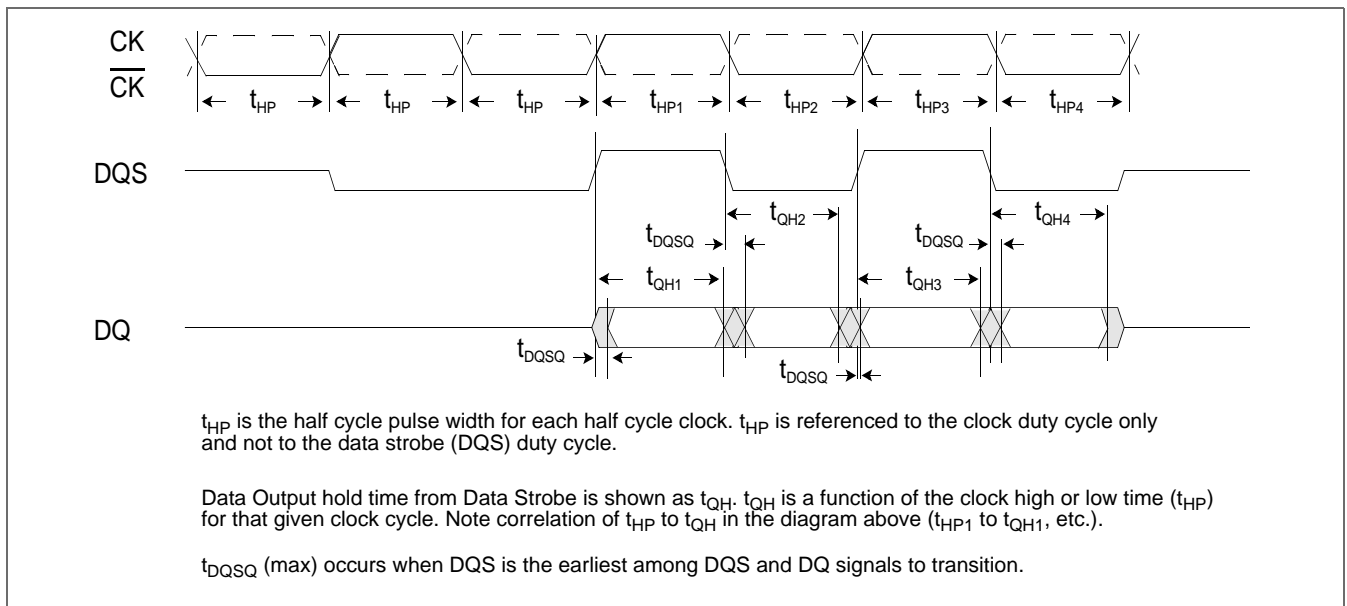


**256Mb DDR SDRAM**

**Data Input (Write)** (Timing Burst Length = 4)

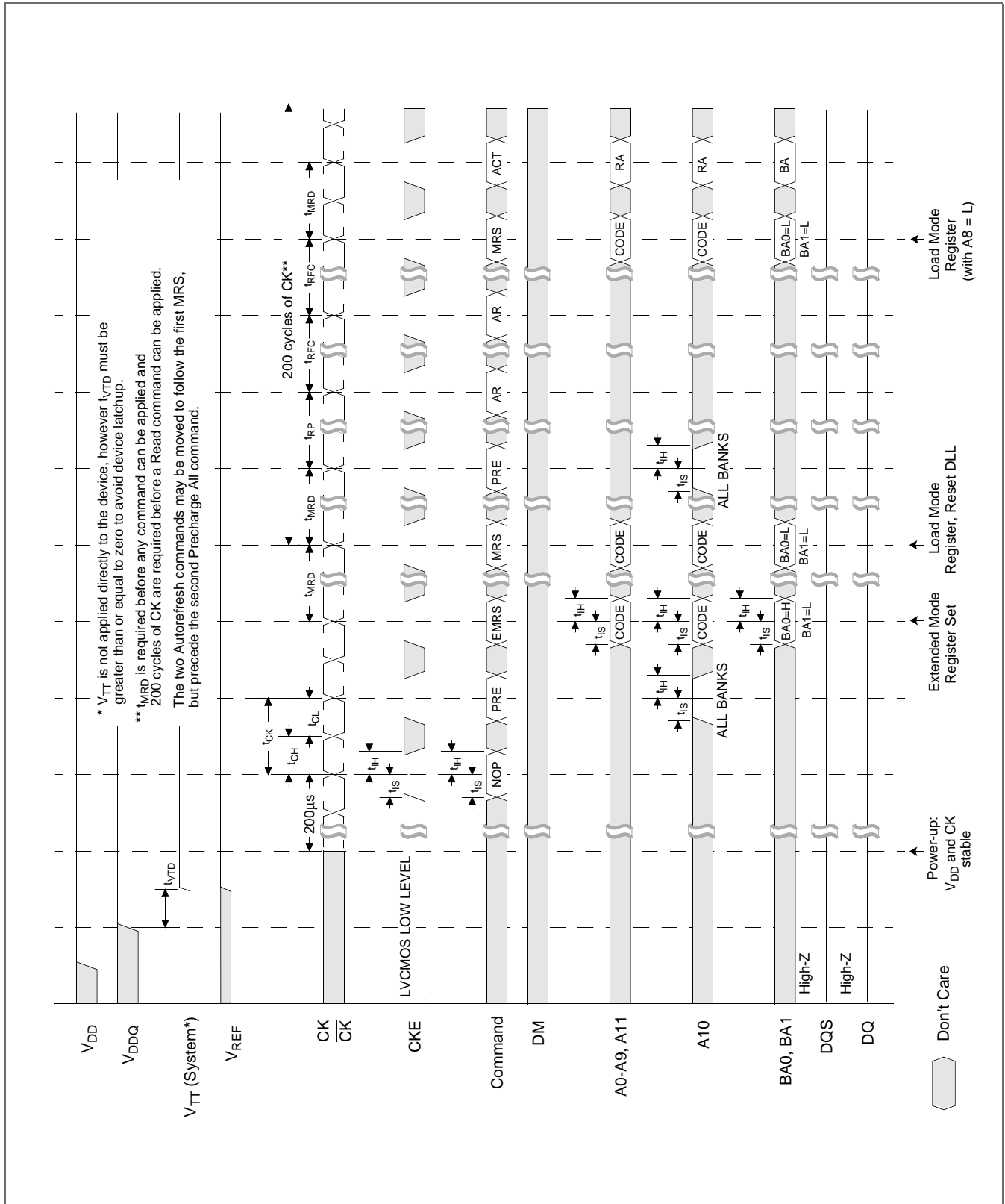


**Data Output (Read)** (Timing Burst Length = 4)



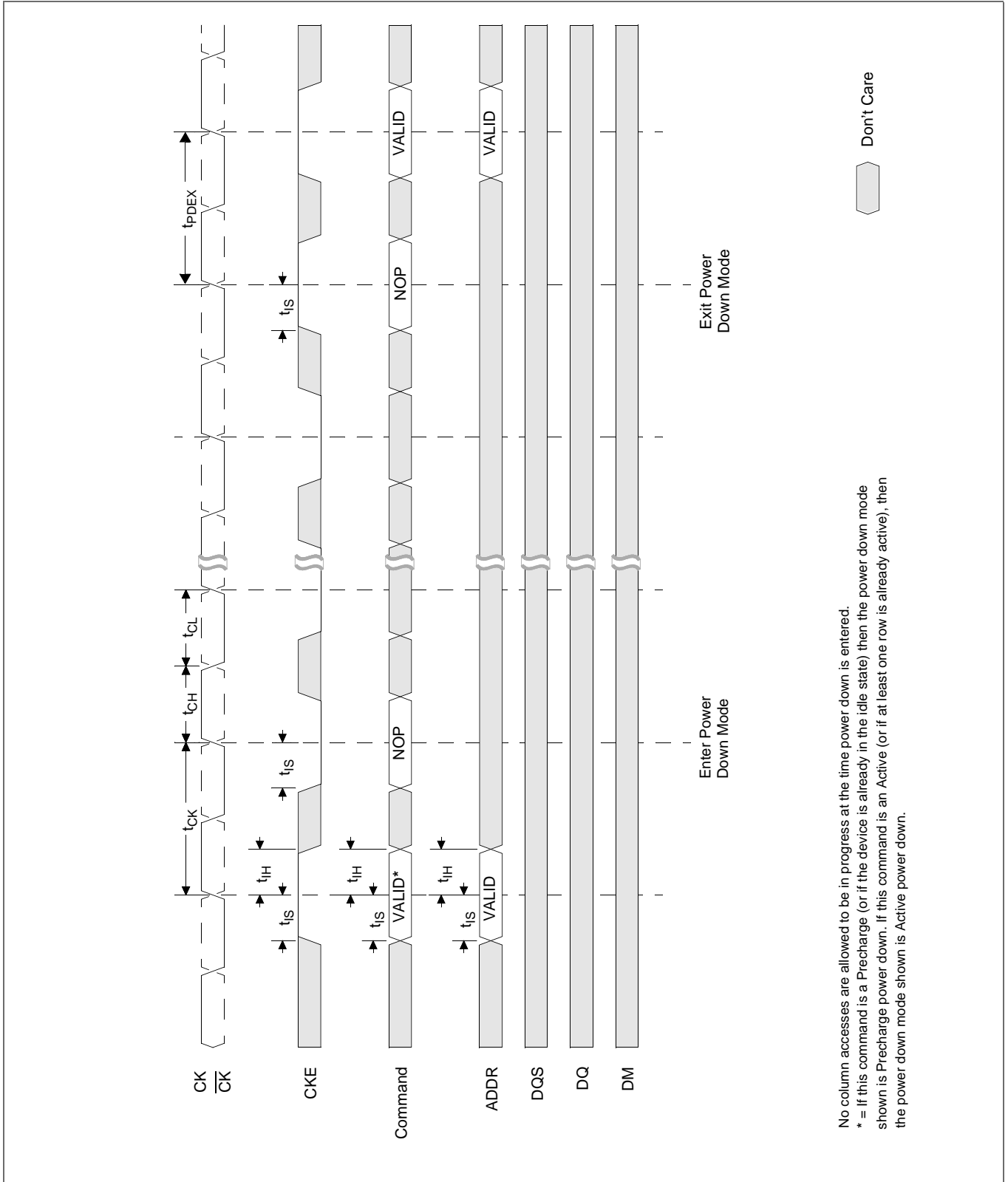
256Mb DDR SDRAM

Initialize and Mode Register Sets



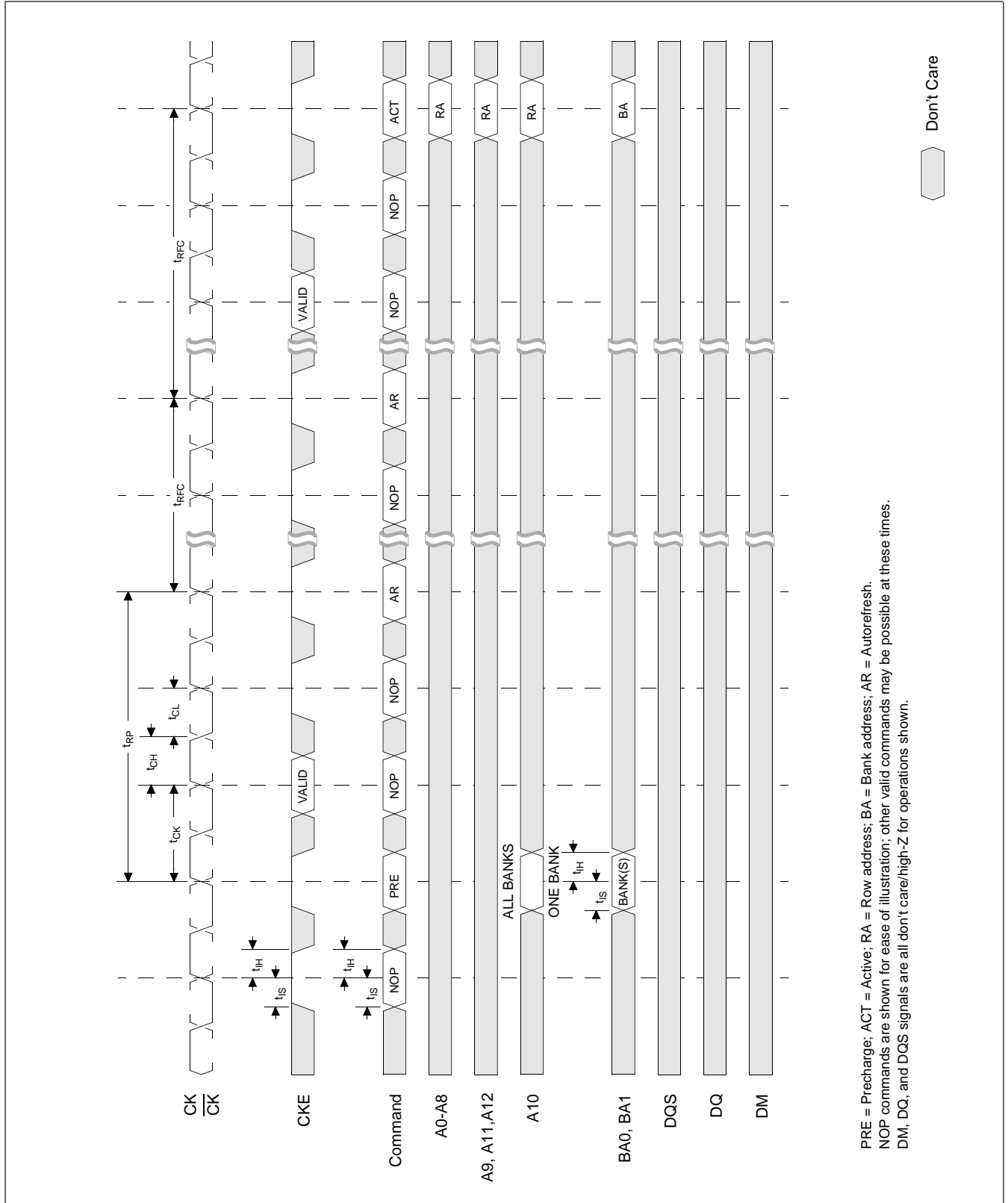
256Mb DDR SDRAM

Power Down Mode



256Mb DDR SDRAM

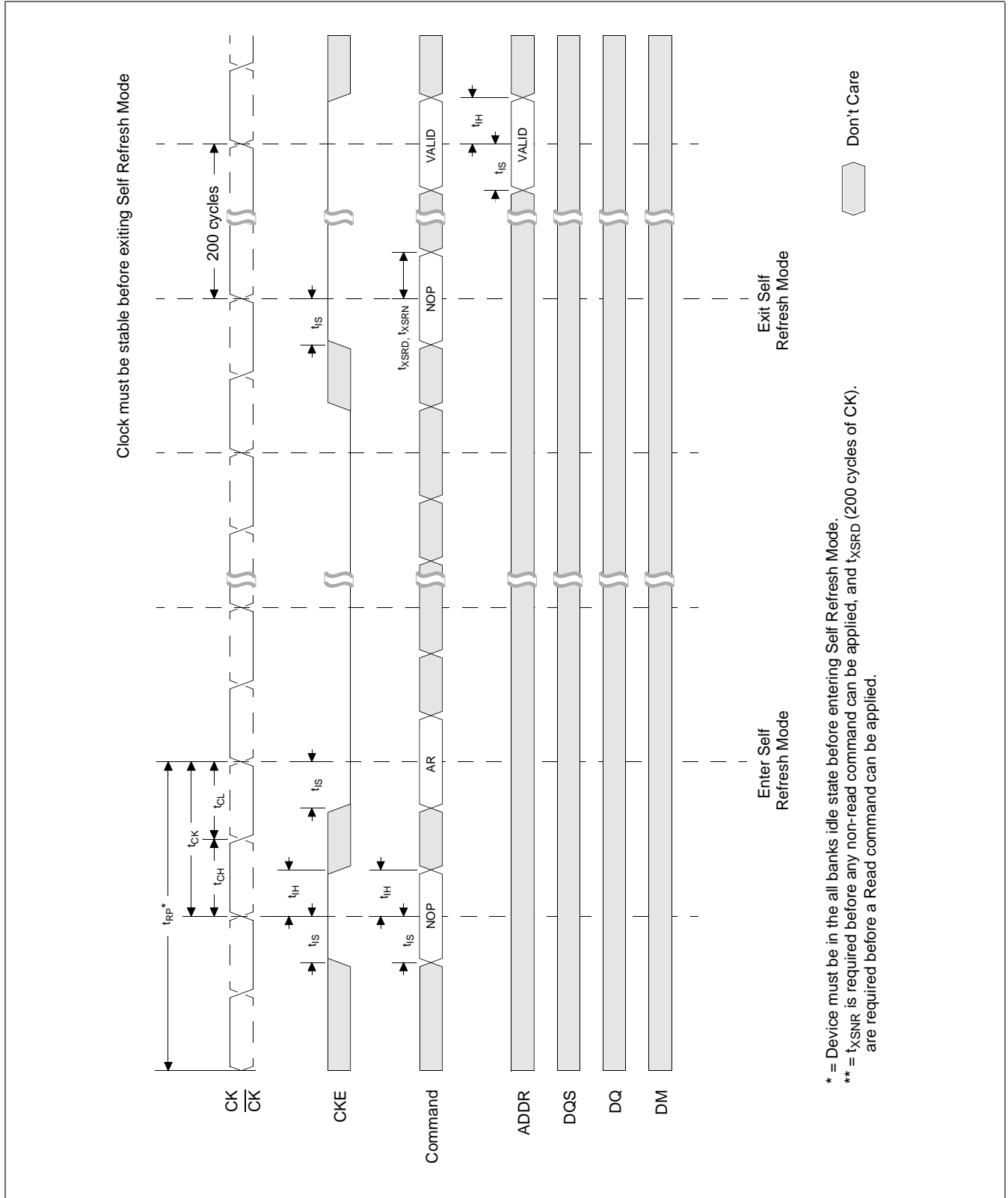
Auto Refresh Mode



PRE = Precharge; ACT = Active; RA = Row address; BA = Bank address; AR = Autorefresh.  
 NOP commands are shown for ease of illustration; other valid commands may be possible at these times.  
 DM, DQ, and DQS signals are all don't care/high-Z for operations shown.

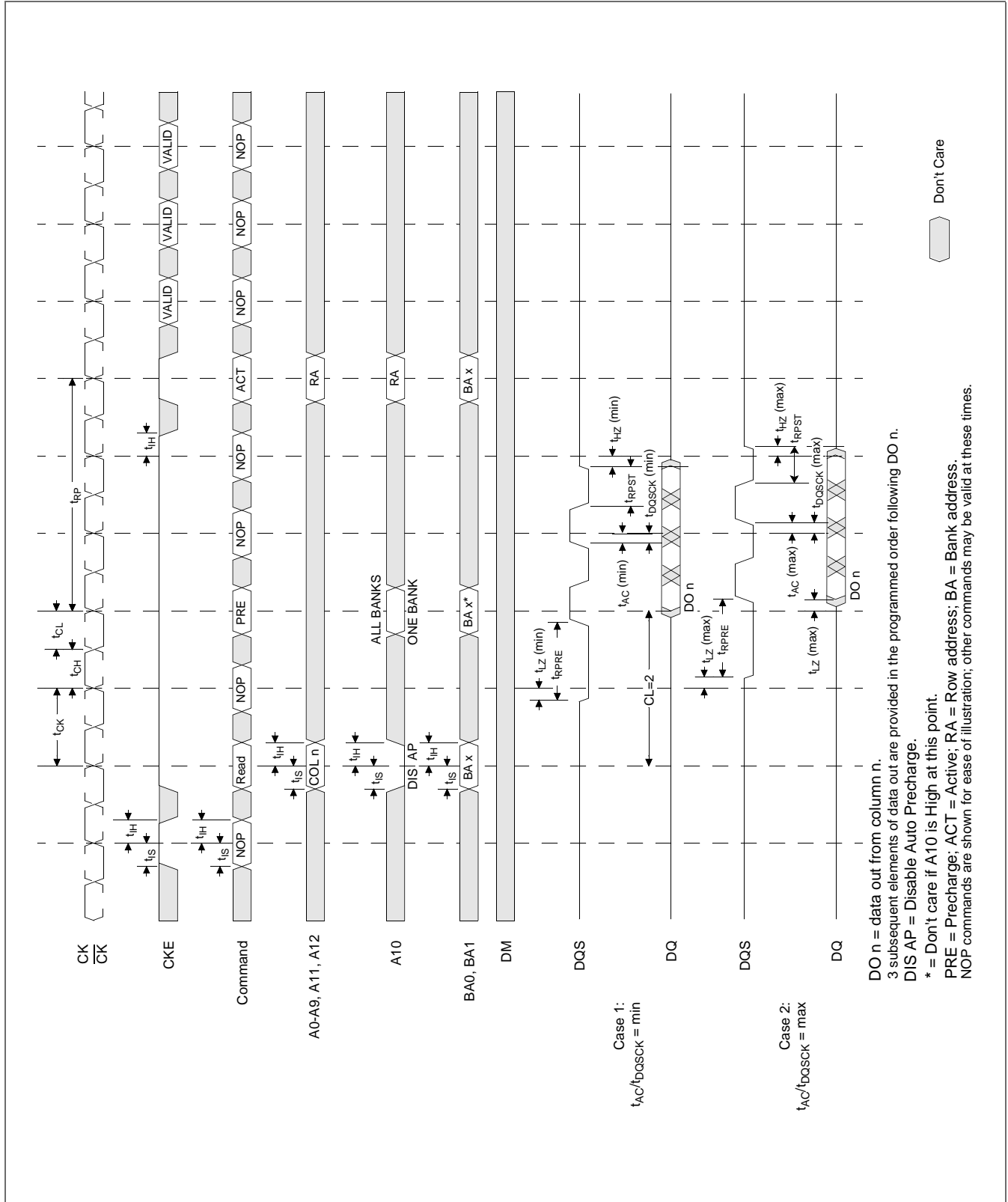
## 256Mb DDR SDRAM

### Self Refresh Mode



256Mb DDR SDRAM

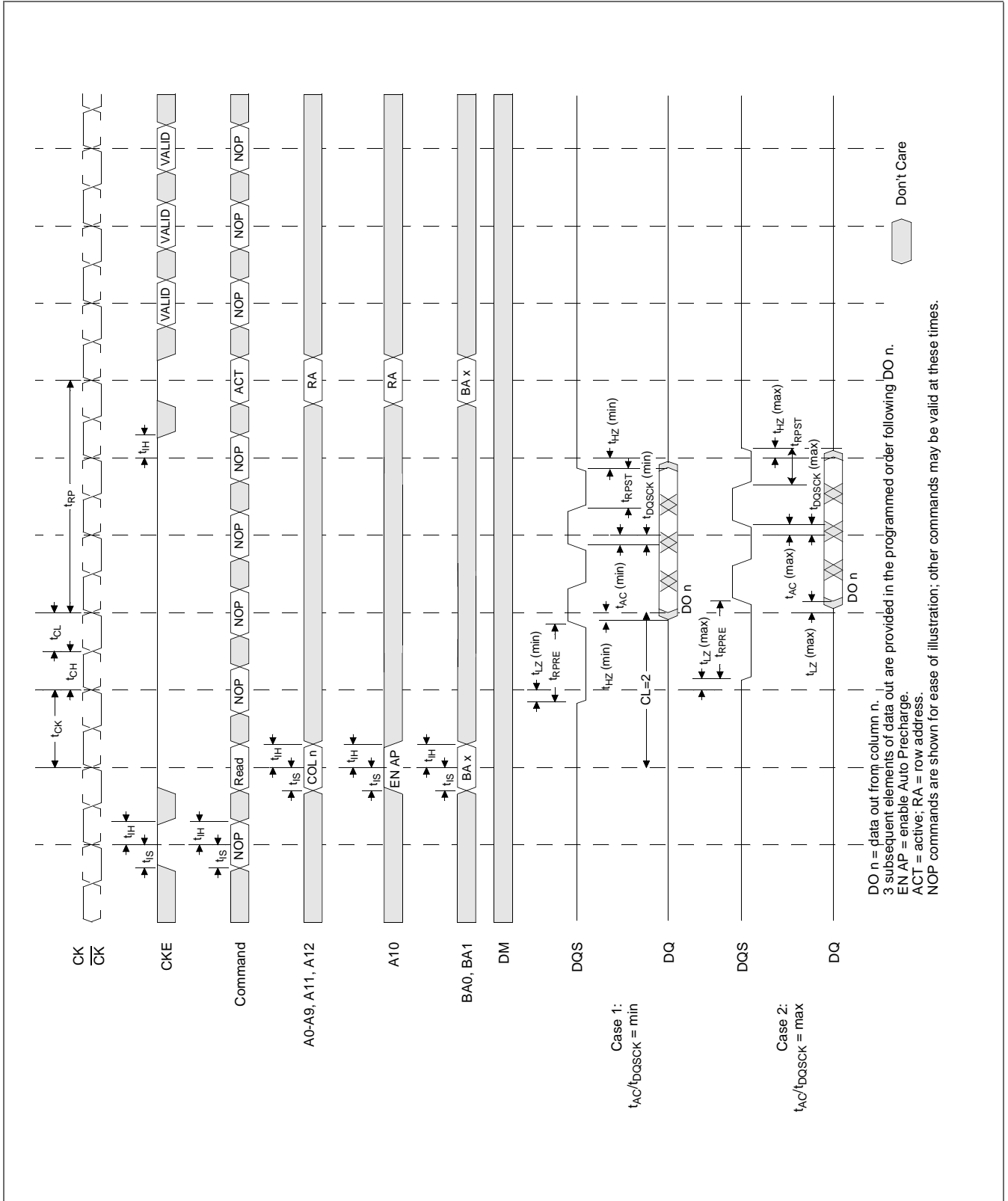
Read without Auto Precharge (Burst Length = 4)





256Mb DDR SDRAM

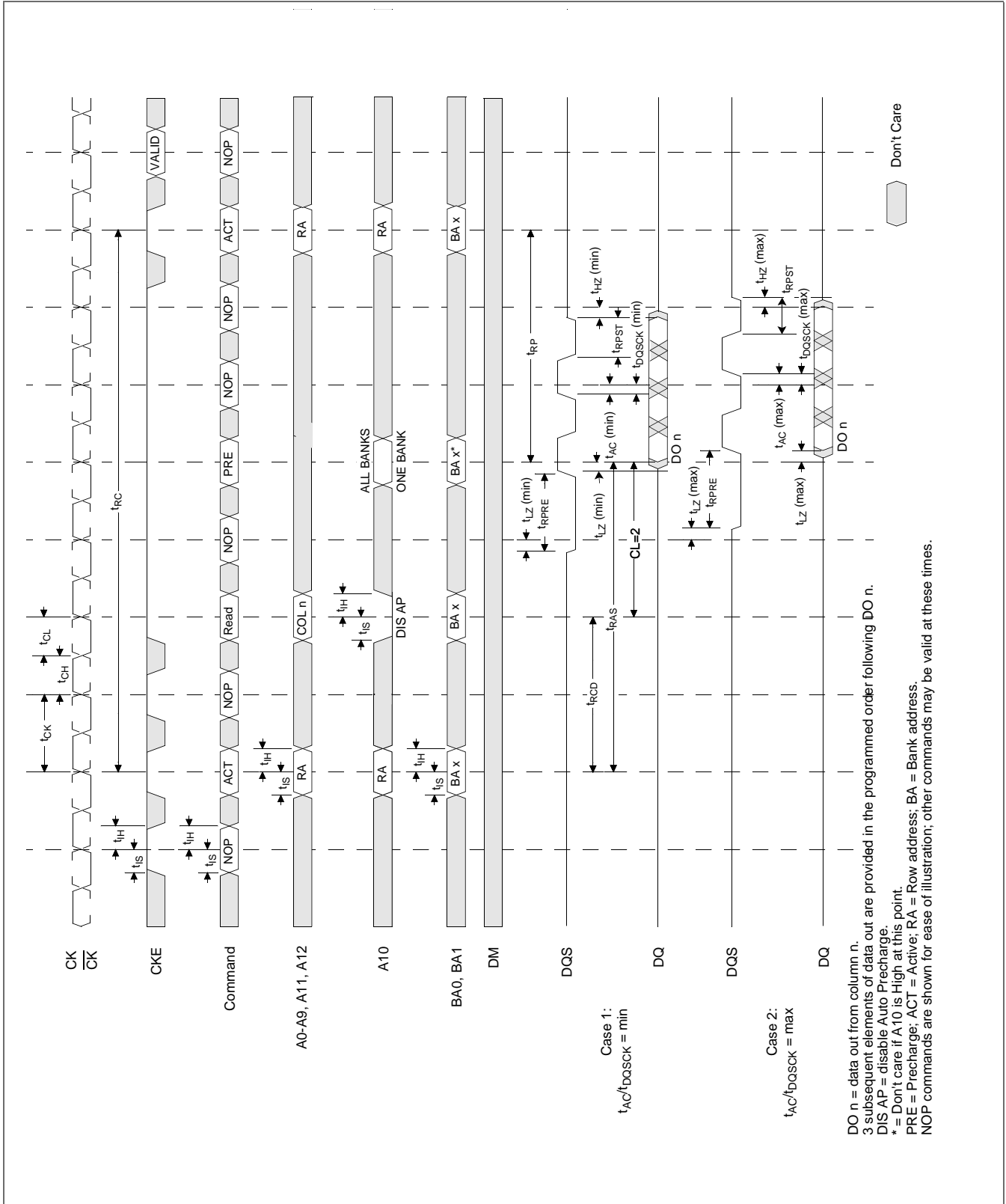
Read with Auto Precharge (Burst Length = 4)





256Mb DDR SDRAM

Bank Read Access (Burst Length = 4)











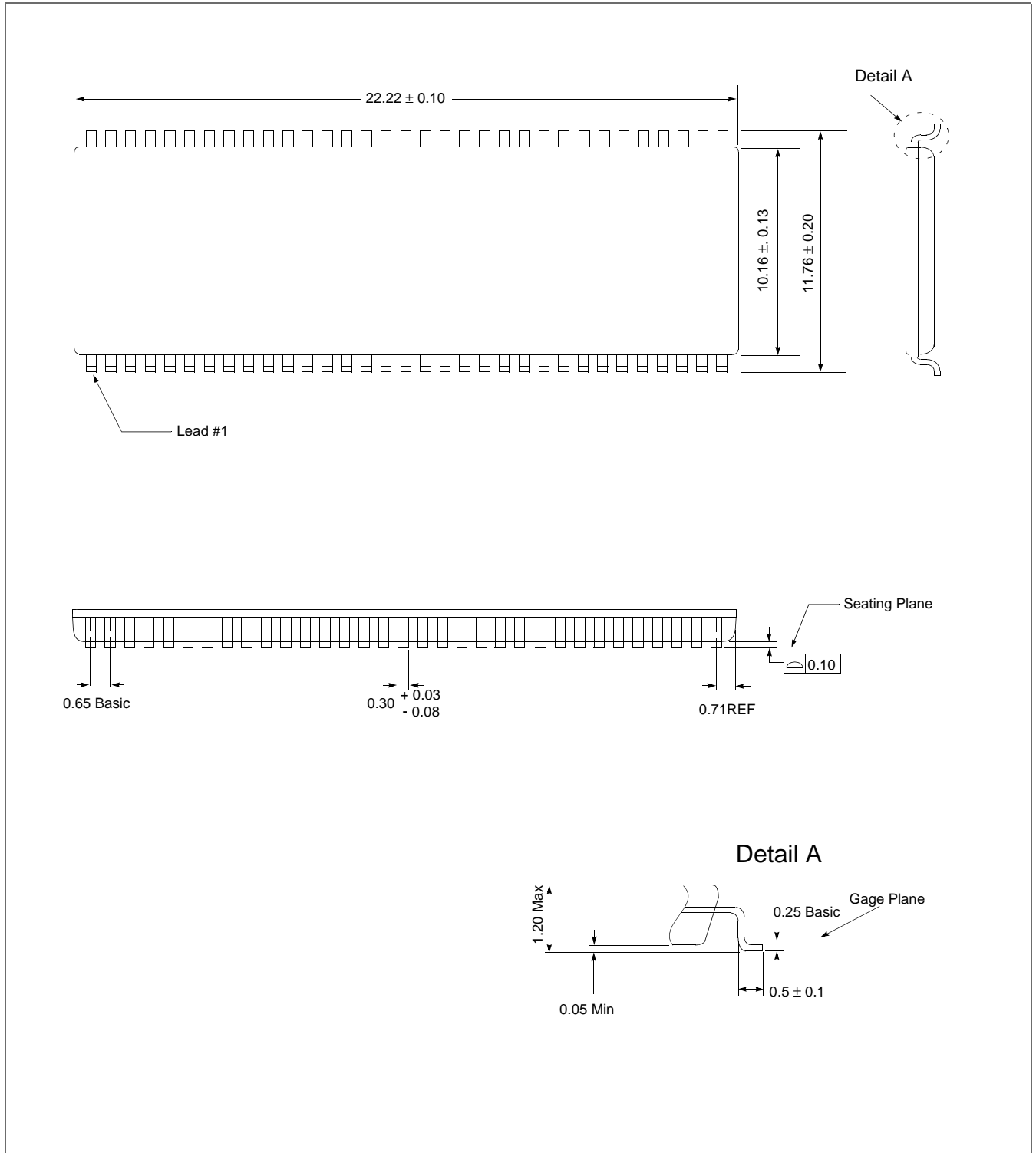


NT5DS64M4BT    NT5DS64M4BF    NT5DS64M4BS    NT5DS64M4BG  
 NT5DS32M8BT    NT5DS32M8BF    NT5DS32M8BS    NT5DS32M8BG  
 NT5DS16M16BT    NT5DS16M16BF    NT5DS16M16BS    NT5DS16M16BG



**256Mb DDR SDRAM**

**Package Dimensions** (400mil; 66 lead; Thin Small Outline Package)

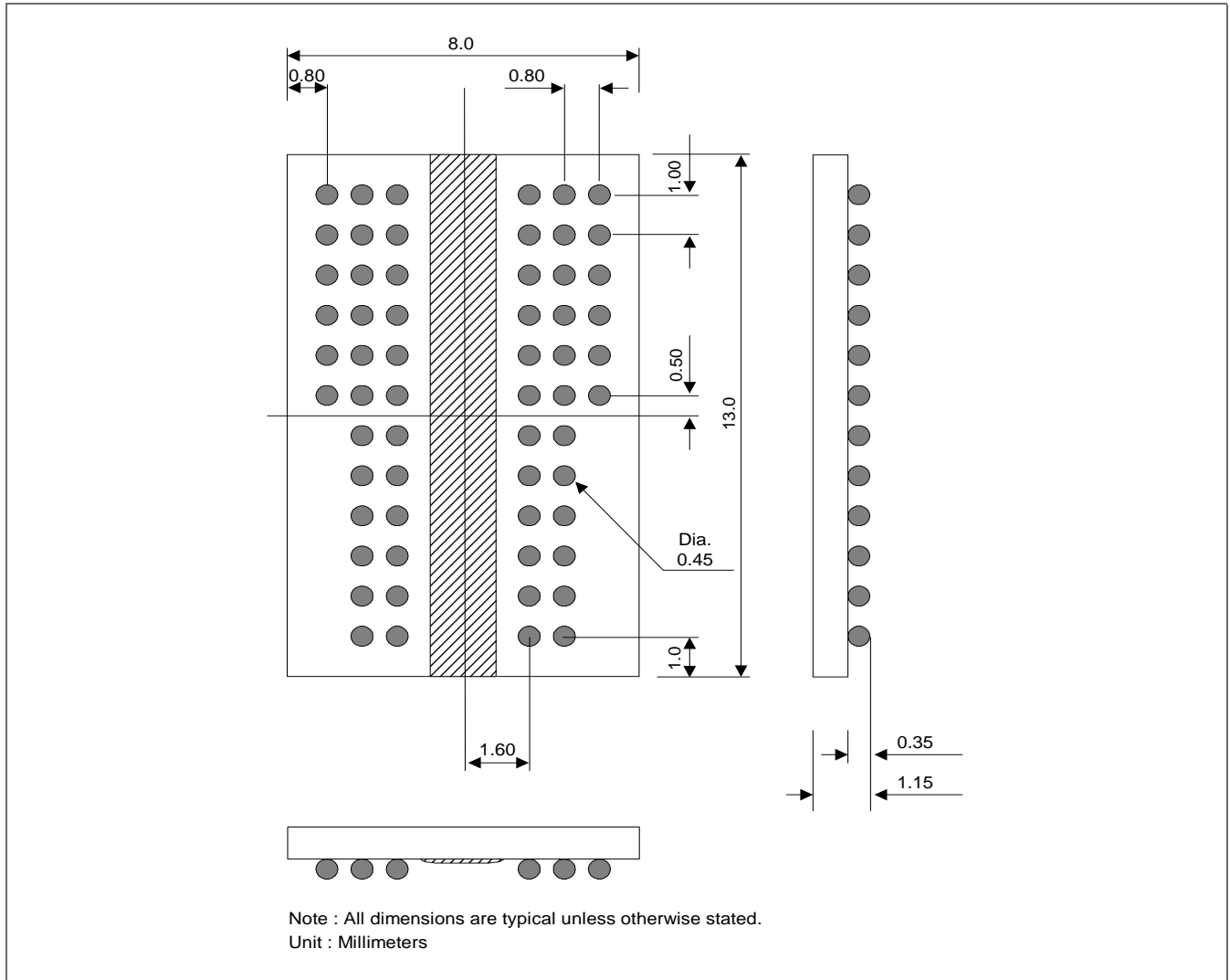


|              |              |              |              |
|--------------|--------------|--------------|--------------|
| NT5DS64M4BT  | NT5DS64M4BF  | NT5DS64M4BS  | NT5DS64M4BG  |
| NT5DS32M8BT  | NT5DS32M8BF  | NT5DS32M8BS  | NT5DS32M8BG  |
| NT5DS16M16BT | NT5DS16M16BF | NT5DS16M16BS | NT5DS16M16BG |



## 256Mb DDR SDRAM

### Package Dimensions (60 balls; 0.8mmx1.0mm Pitch; CSP Package)





## 256Mb DDR SDRAM

### Revision Log

| Rev | Date        | Modification  |
|-----|-------------|---|
| 0.1 | 10/2001     | Preliminary Release   |
| 0.2 | 11/2001     | Added 75T speed grade   |
|     |             | Removed 6T and 75A speed grades   |
| 0.3 | 08/2002     | Removed 75T speed grade   |
|     |             | Added I <sub>DD</sub> values for 6K speed grade   |
| 1.0 | 09/2002     | Official Release  |
|     |             | Added t <sub>PDEX</sub> (Power down exit time) to Power Down Mode Timing Diagram                |
|     |             | Added t <sub>PDEX</sub> (Power down exit time) to AC Timing Table                               |
| 1.1 | 11/2002     | Updated I <sub>DD6</sub> from 3mA to 2mA in I <sub>DD</sub> Specifications and Conditions Table |
| 1.2 | 12/2002     | Updated t <sub>QHS</sub> from 0.75ns to 0.55ns for 6K speed grade in AC Timing Table            |
|     |             | Updated I <sub>DD</sub> values in I <sub>DD</sub> Specifications and Conditions Table           |
| 1.3 | 01/2003     | Changed Part Number for BGA Package device  |
|     |             | Updated Package Dimensions for BGA Package device   |
|     |             | Added BGA Package specs to AC Timing Table  |
|     |             | Updated AC Timing Table format  |
| 1.4 | 05/2003     | Added Lead-free and Halogen-free component part numbers   |
| 1.5 | 6 Jul 2004  | Added 6KL speed sort for NT5DS16M16BT & NT5DS16M16BS  |
| 1.6 | 21 Jul 2004 | Added 6KL speed sort for NT5DS32M8BT and NT5DS32M8BS  |



Nanya Technology Corporation.

All rights reserved.

Printed in Taiwan, R.O.C.

The following are trademarks of NANYA TECHNOLOGY CORPORATION in R.O.C, or other countries, or both.  
NANYA NANYA logo

Other company, product and service names may be trademarks or service marks of others.

NANYA TECHNOLOGY CORPORATION (NTC) reserves the right to make changes without notice. NTC warrants performance of its semiconductor products and related software to the specifications applicable at the time of sale in accordance with NTC's standard warranty. Testing and other quality control techniques are utilized to the extent NTC deems necessary to support this warranty. Specific testing of all parameters of each device is not necessarily performed, except those mandated by government requirements.

Certain applications using semiconductor products may involve potential risks of death, personal injury, or severe property or environmental damage ("Critical Applications").

NTC SEMICONDUCTOR PRODUCTS ARE NOT DESIGNED, INTEND, AUTHORIZED, OR WARRANTED TO BE SUITABLE FOR USE IN LIFE-SUPPORT APPLICATIONS, DEVICES OR SYSTEMS OR OTHER CRITICAL APPLICATIONS.

Inclusion of NTC products in such applications is understood to be fully at the risk of the customer. Use of NTC products in such applications requires the written approval of an appropriate NTC officer. Question concerning potential risk applications should be directed to NTC through a local sales office.

In order to minimize risks associated with the customer's applications, adequate design and operating safeguards should be provided by customer to minimize the inherent or procedural hazards.

NTC assumes no liability of applications assistance, customer product design, software performance, or infringement of patents or services described herein. Nor does NTC warrant or represent that any license, either express or implied, is granted under any patent right, copyright, mask work right, or other intellectual property right of NTC covering or relating to any combination, machine, or process in which such semiconductor products or services might be or are used.

NANYA TECHNOLOGY CORPORATION  
HWA YA Technology Park  
669, FU HSING 3rd Rd., Kueishan,  
Taoyuan, Taiwan, R.O.C.

The NANYA TECHNOLOGY CORPORATION home page can be found at  
<http://www.nanya.com>