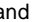


TA-VE150

SERVICE MANUAL

AEP Model
UK Model



This amplifier has the Dolby Surround system.
Manufactured under license from Dolby Laboratories Licensing Corporation.
“Dolby”, the double-D symbol  and “Pro Logic” are trademarks of Dolby Laboratories Licensing Corporation.

SPECIFICATIONS

Amplifier section

Power output

Stereo mode (DIN 1 kHz, 8 ohms)
25 W + 25 W

Surround mode (DIN 1 kHz, 8 ohms)
Front: 25 W/ch
Centre: 25 W
Rear: 25 W/ch

5.1 CH INPUT/DVD mode (DIN 1 kHz, 8 ohms)
Front: 25 W/ch
Centre: 25 W
Rear: 25 W/ch

Frequency response TV, VIDEO, DVD-2CH,
5.1 CH INPUT/DVD:
20 Hz-50 kHz \pm 1 dB

Inputs

| | Sensitivity | Impedance | S/N | |
|-----------------------------------------|-------------|---------------|--------|-------------|
| (weighting network, input level) | | | | |
| TV, VIDEO, DVD-2CH, 5.1 CH INPUT/DVD | 200 mV | 50 kilohms | 82 dB* | (A, 150 mV) |

*78 IHF

Outputs

VIDEO (AUDIO OUT):
Voltage 200 mV,
Impedance 10 kilohms
WOOFER/AUDIO OUT:
Voltage: 2 V
Impedance: 1 kilohms

Muting

Full mute

BASS BOOST

+9 dB at 70 Hz

General

Power requirements 230 V AC, 50/60 Hz

Power consumption 115 W

Dimensions 430 \times 274 \times 64.5 mm

Mass (Approx.) 5.4 kg

Supplied accessories

Remote controller
(remote) (1)
Size AA (R6) batteries (2)
Scart adaptor (1)

Design and specifications are subject to change without notice.

Specifications indicated are measured at 230 VAC, 50 HZ.

INTEGRATED AV AMPLIFIER



www.rtv-horvat-dj.hr **SONY**®

TABLE OF CONTENTS

| | |
|--------------------------------------------------------------------|----|
| 1. GENERAL | 3 |
| 2. DISASSEMBLY | 4 |
| 3. TEST MODE | 5 |
| 4. DIAGRAMS | 6 |
| 4-1. Notes for Printed Wiring Board and Schematic Diagram | 7 |
| 4-2. Printed Wiring Board – MAIN Section – | 11 |
| 4-3. Schematic Diagram – MAIN Section (1/2) – | 13 |
| 4-4. Schematic Diagram – MAIN Section (2/2) – | 15 |
| 4-5. Printed Wiring Boards – PANEL Section – | 17 |
| 4-6. Schematic Diagram – PANEL Section – | 19 |
| 4-7. Printed Wiring Boards – POWER Section – | 21 |
| 4-8. Schematic Diagram – POWER Section – | 23 |
| 4-9. IC Pin Function Description | 25 |
| 5. EXPLODED VIEWS | 27 |
| 6. ELECTRICAL PARTS LIST | 29 |

Notes on chip component replacement

- Never reuse a disconnected chip component.
- Notice that the minus side of a tantalum capacitor may be damaged by heat.

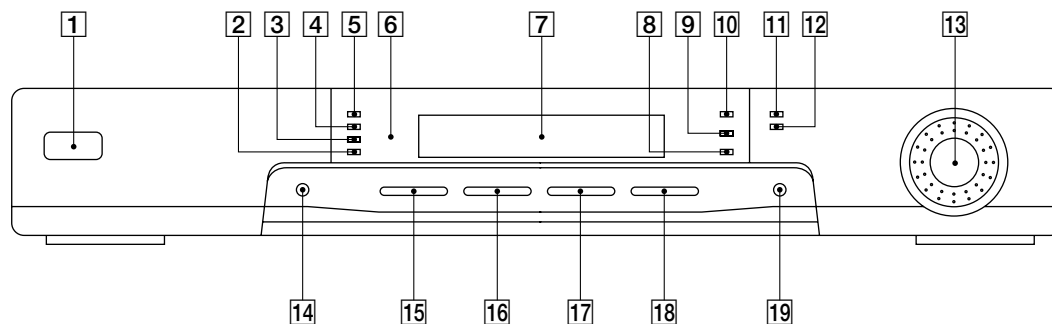
SAFETY-RELATED COMPONENT WARNING!!

COMPONENTS IDENTIFIED BY A \triangle MARK ON THE SCHEMATIC DIAGRAMS, EXPLODED VIEWS AND IN THE PARTS LIST ARE CRITICAL TO SAFE OPERATION. REPLACE THESE COMPONENTS WITH SONY PARTS WHOSE PART NUMBERS APPEAR AS SHOWN IN THIS MANUAL OR IN SUPPLEMENTS PUBLISHED BY SONY.

SECTION 1 GENERAL

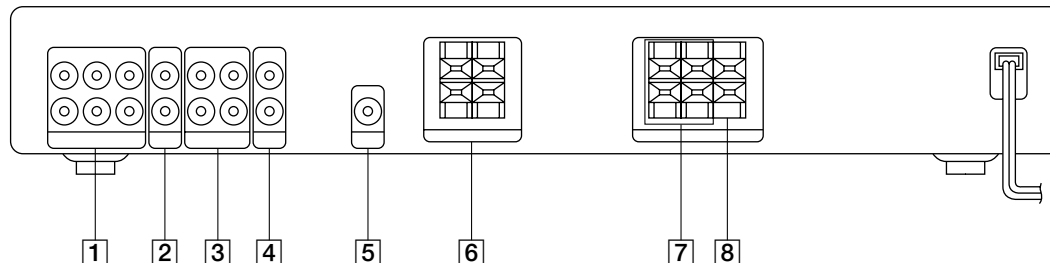
Location of controls

— Front view —



- | | |
|-------------------------------|------------------------------------|
| 1 I / \odot button | 11 BASS BOOST indicator |
| 2 3 STEREO indicator | 12 MUTING indicator |
| 3 NORMAL indicator | 13 MASTER VOLUME dial |
| 4 WIDE indicator | 14 CENTER MODE button |
| 5 PHANTOM indicator | 15 TV button |
| 6 Remote sensor | 16 VIDEO button |
| 7 Display window | 17 DVD, 2 CH button |
| 8 SIMULATED indicator | 18 5.1 CH INPUT, DVD button |
| 9 C. STUDIO indicator | 19 SURROUND MODE button |
| 10 PRO LOGIC indicator | |

— Rear view —

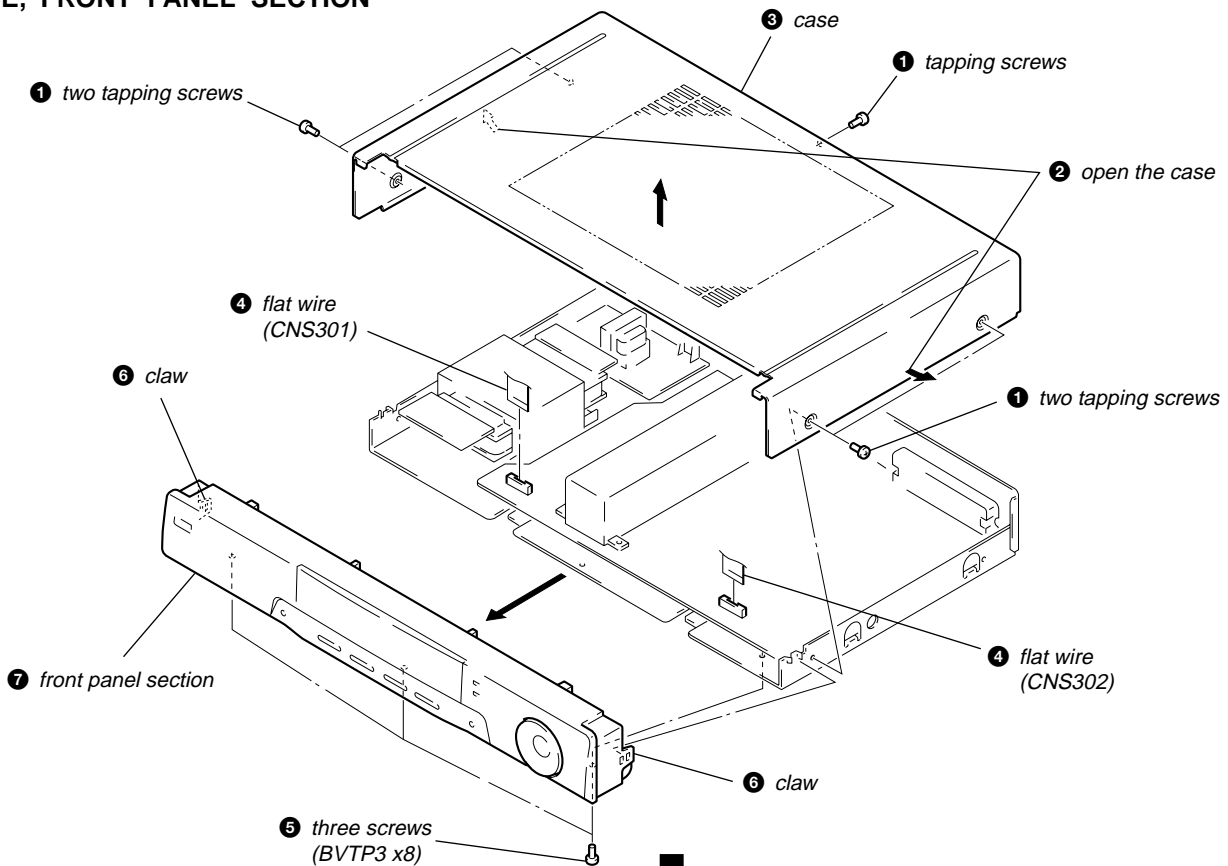


- | | |
|---------------------------------|-----------------------------------|
| 1 5.1 CH INPUT/DVD jacks | 5 WOOFER jack |
| 2 DVD 2 CH jacks | 6 FRONT SPEAKERS terminals |
| 3 VIDEO jacks | 7 REAR SPEAKERS terminals |
| 4 TV jacks | 8 CENTER SPEAKER terminals |

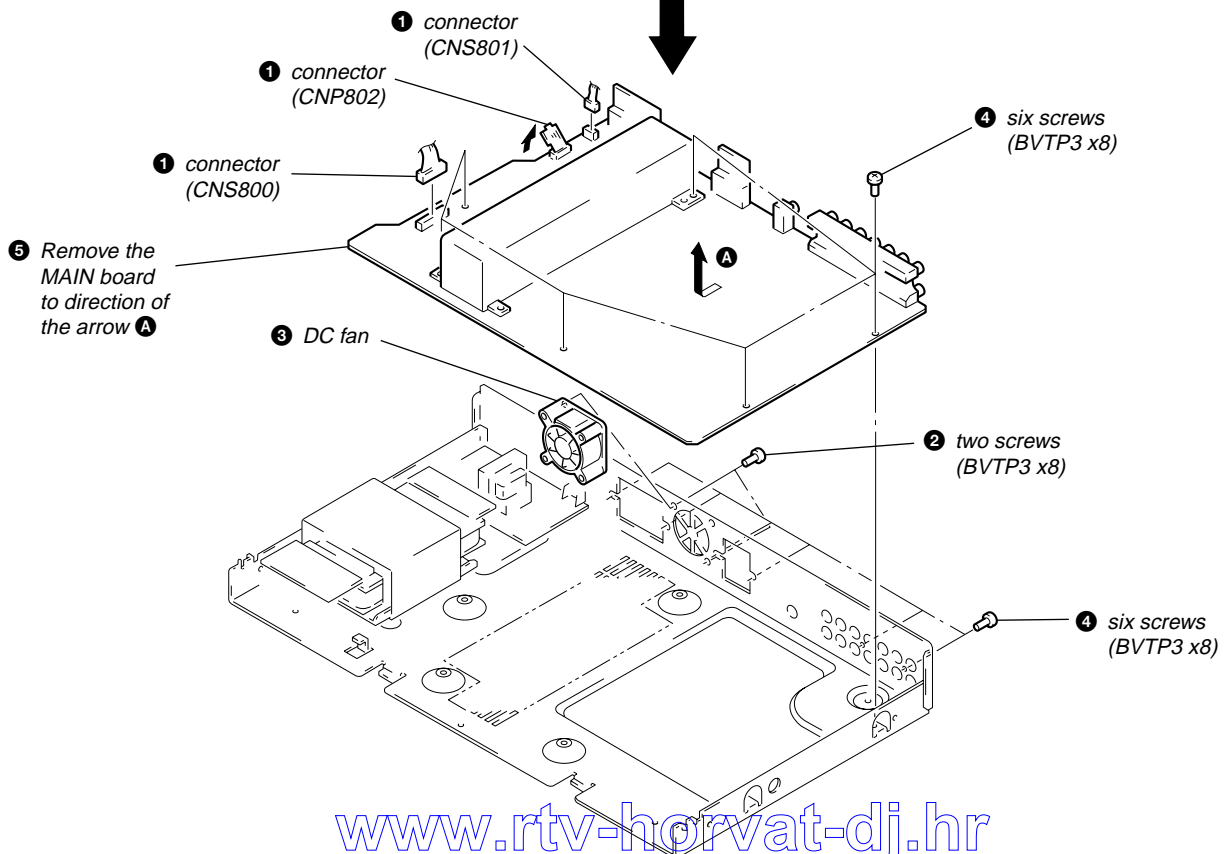
SECTION 2 DISASSEMBLY

Note: Follow the disassembly procedure in the numerical order given.

CASE, FRONT PANEL SECTION



MAIN BOARD



SECTION 3 TEST MODE

This equipment is provided with a test mode built in the micro-computer. The contents are described in the following.

[Initial Mode]

1. Press **[I/⏻]** button while pressing both **[VIDEO]** and **[5.1CH INPUT, DVD]** buttons simultaneously.
2. "INITIAL" is displayed on the fluorescent indicator tube, and the status of the unit is set in the following.
 - All Memory is clear.
 - Center, rear level set to 0.
 - Center mode set to Phantom.
 - DBFB clear.
 - Muting clear.
 - Volume level set to min.

[Factory Mode]

1. Press **[I/⏻]** button while pressing three buttons of **[TV]**, **[DVD, 2CH]**, and **[5.1CH INPUT, DVD]** simultaneously.
2. Factory setting same as initial except center mode set to normal using jog can set to volume max or min directly.

[FL Check Mode]

1. Press **[I/⏻]** button while both **[CENTER MODE]** and **[VIDEO]** buttons simultaneously.
2. Fluorescent indicator tube and LED are checked, "FINISH" is displayed and the status of the unit is set back in normal condition.

[Gain Up Mode]

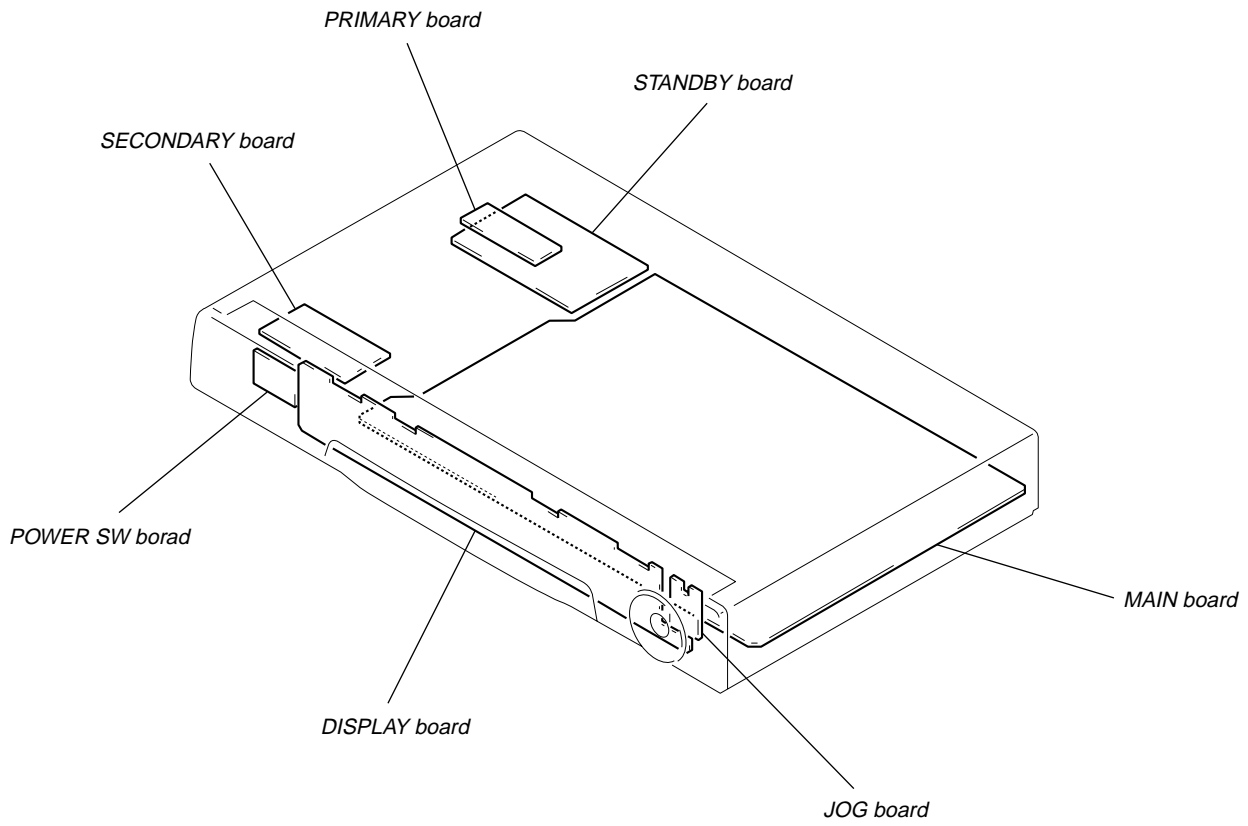
1. Press **[I/⏻]** button while pressing **[SURROUND MODE]** button.
2. "GAIN UP" is displayed on the fluorescent indicator tube and the rear is gained up 3 dB.
3. To exit from this mode, press two buttons in the same manner as step1.
"NORMAL" is displayed on the fluorescent indicator tube and the status of the unit is set back in normal condition.

[Version Mode]

1. Press **[I/⏻]** button while pressing both **[CENTER MODE]** and **[SURROUND MODE]** buttons simultaneously.
2. Version of its destination is displayed on the fluorescent indicator tube.


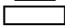
SECTION 4 DIAGRAMS

- Circuit Boards Location

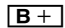
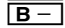






4-1. NOTES FOR PRINTED WIRING BOARD AND SCHEMATIC DIAGRAM

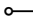


Note on Schematic Diagram:

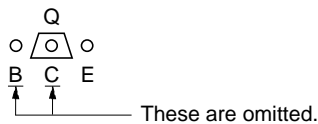
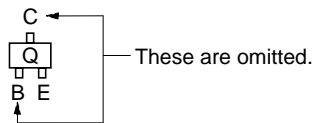
- All capacitors are in μF unless otherwise noted. pF: μpF 50 WV or less are not indicated except for electrolytics and tantalums.
- All resistors are in Ω and $1/4\text{ W}$ or less unless otherwise specified.
- Δ : internal component.
-  : nonflammable resistor.
-  : panel designation.

Note: The components identified by mark Δ or dotted line with mark Δ are critical for safety.
Replace only with part number specified.

-  : B+ Line.
-  : B- Line.
- Voltages and waveforms are dc with respect to ground under no-signal conditions.
no mark : VIDEO
- Voltages are taken with a VOM (Input impedance $10\text{ M}\Omega$).
Voltage variations may be noted due to normal production tolerances.
- Waveforms are taken with a oscilloscope.
Voltage variations may be noted due to normal production tolerances.
- Circled numbers refer to waveforms.
- Signal path.
-  : FRONT/AUDIO IN
-  : REAR
-  : CENTER
-  : WOOFER

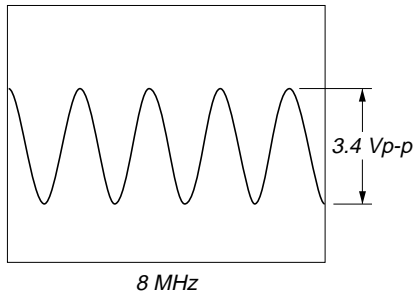
Note on Printed Wiring Board:

-  : parts extracted from the component side.
-  : parts mounted on the conductor side.
-  : Pattern from the side which enables seeing.
- Indication of transistor.



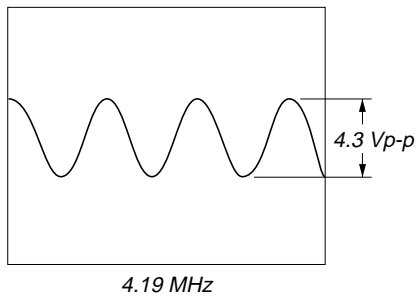
• Waveforms
– MAIN Board –

① IC300 ③① (OSC)



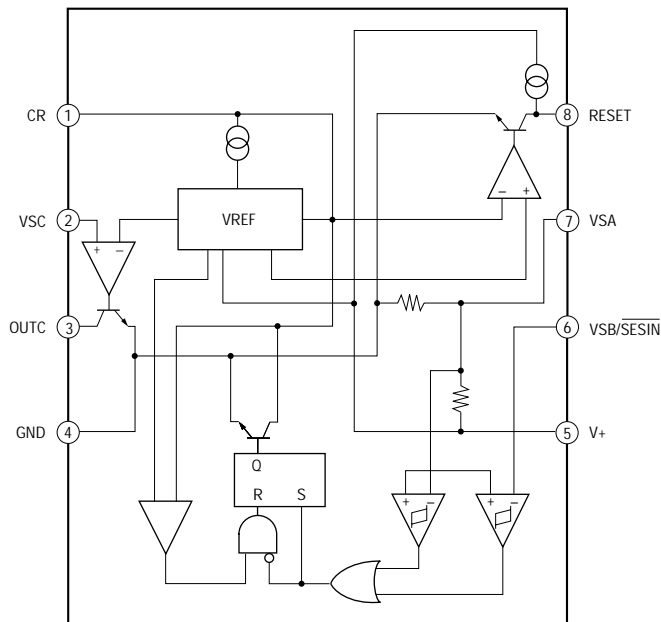
– DISPLAY Board –

① IC201 ③④ (X1)



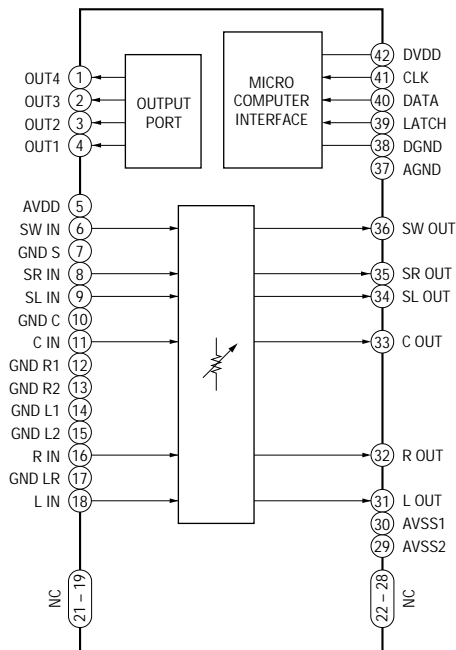
• IC Block Diagrams
 – STANDBY Board –

IC950 NJM2103D

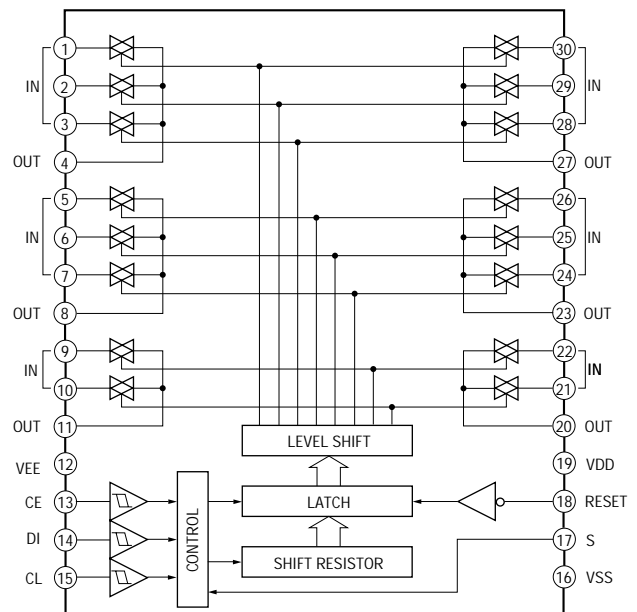


– MAIN Board –

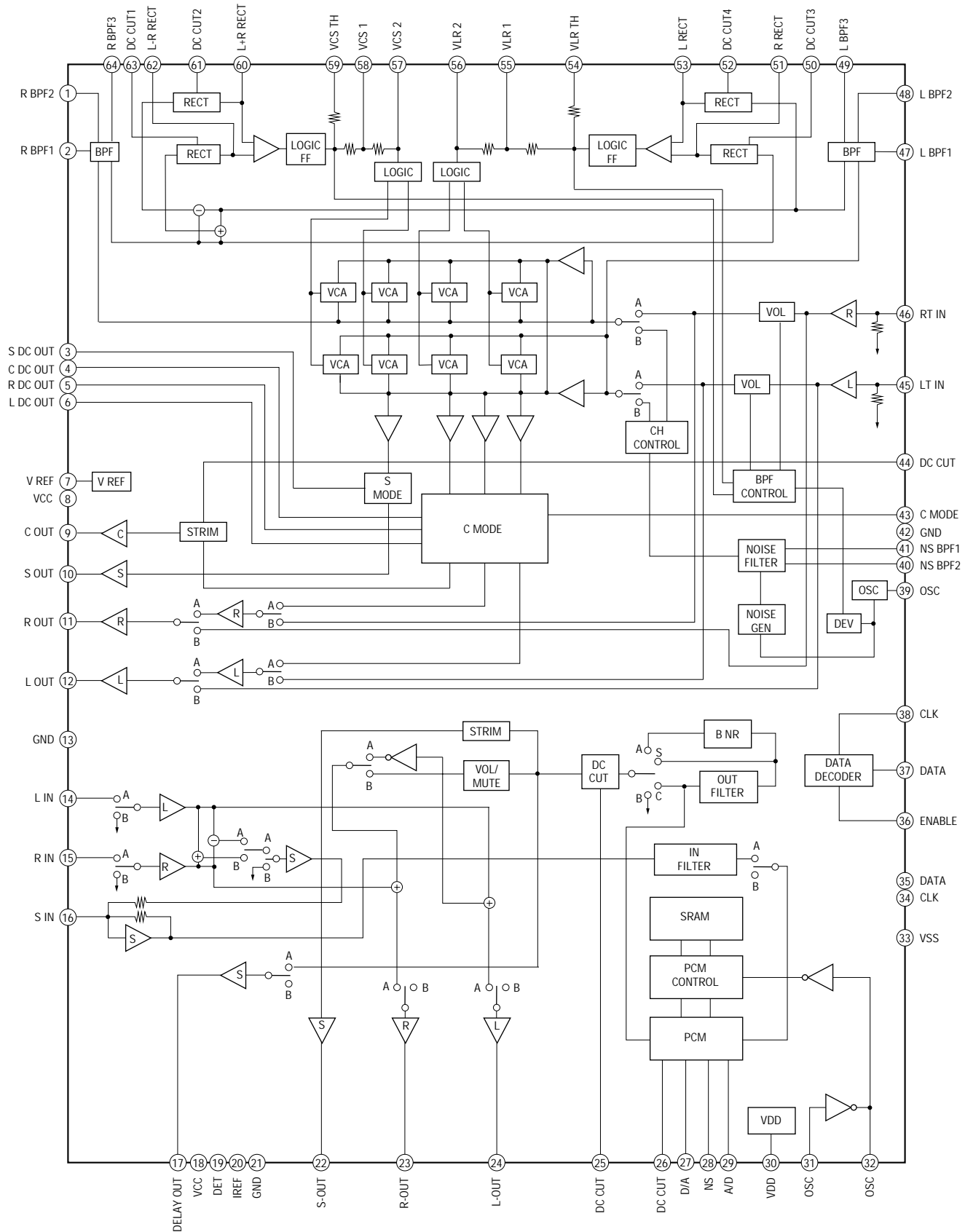
IC100 M62447SP



IC500 LC7822

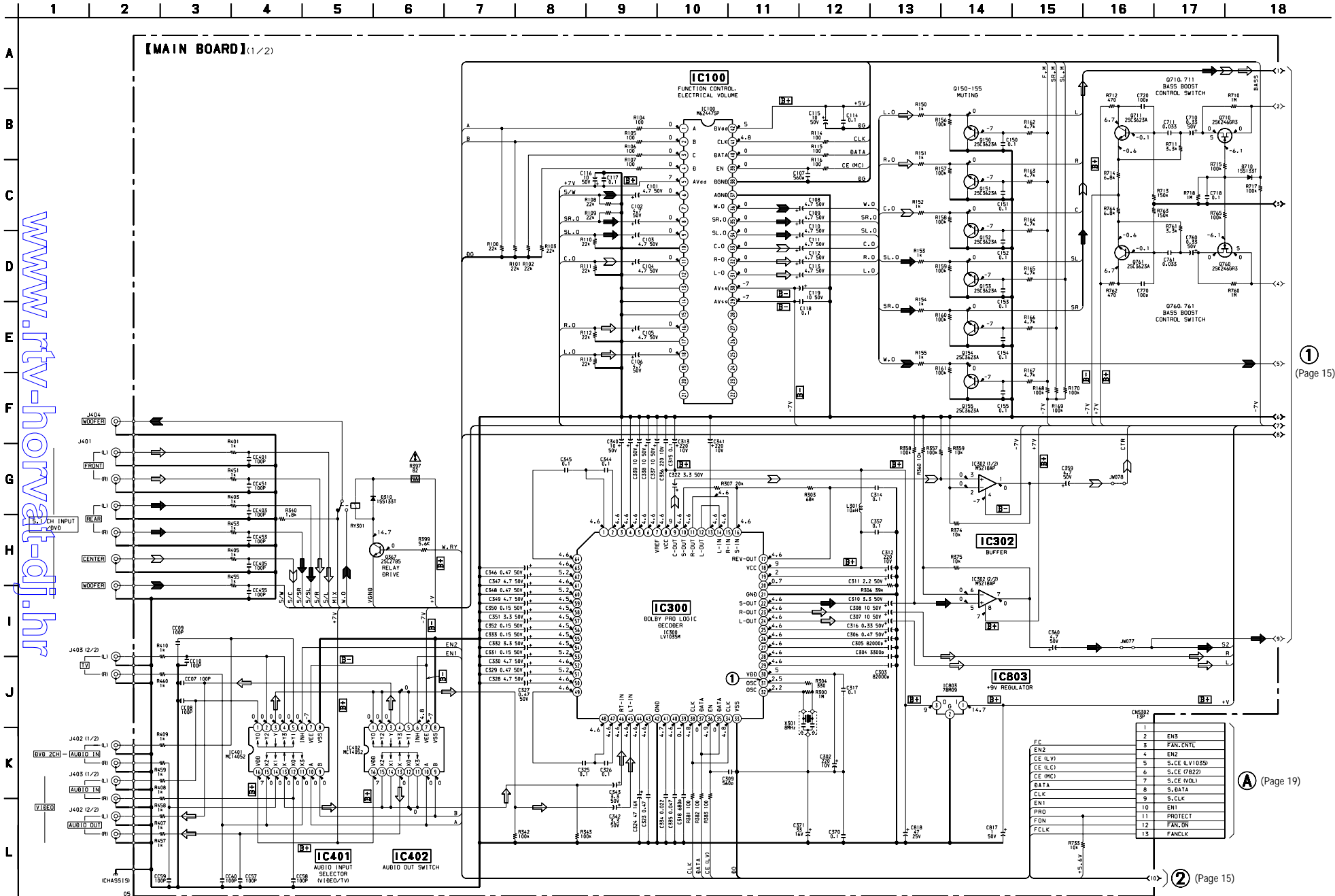


IC300 LV1035M



The components identified by mark Δ or dotted line with mark Δ are critical for safety. Replace only with part number specified.

4-3. SCHEMATIC DIAGRAM – MAIN Section (1/2) – • See page 8 for Waveform. • See page 9 for IC Block Diagrams.



www.rtv-horvat-dj.hr

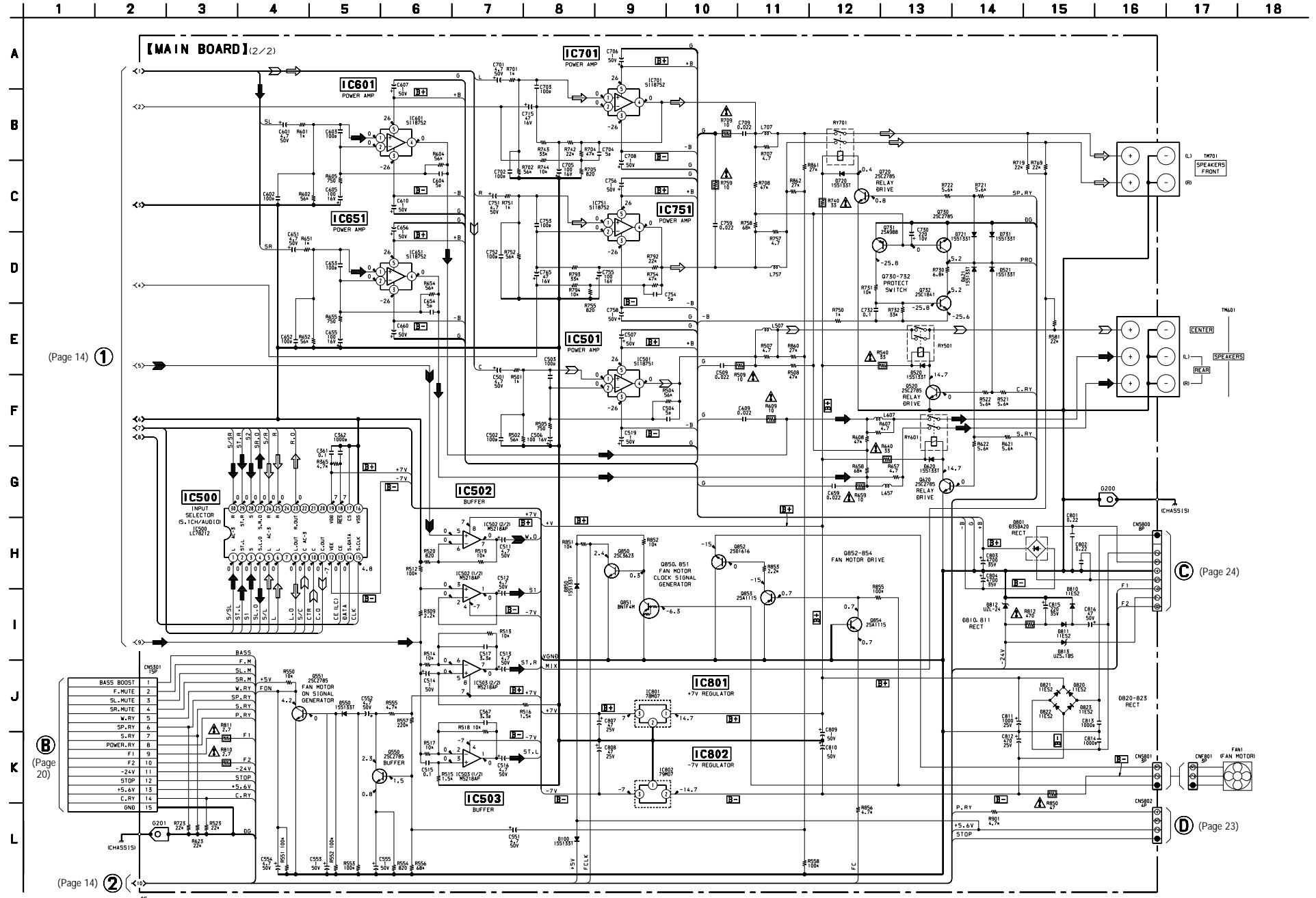
① (Page 15)

Ⓐ (Page 19)

② (Page 15)

The components identified by mark Δ or dotted line with mark Δ are critical for safety. Replace only with part number specified.

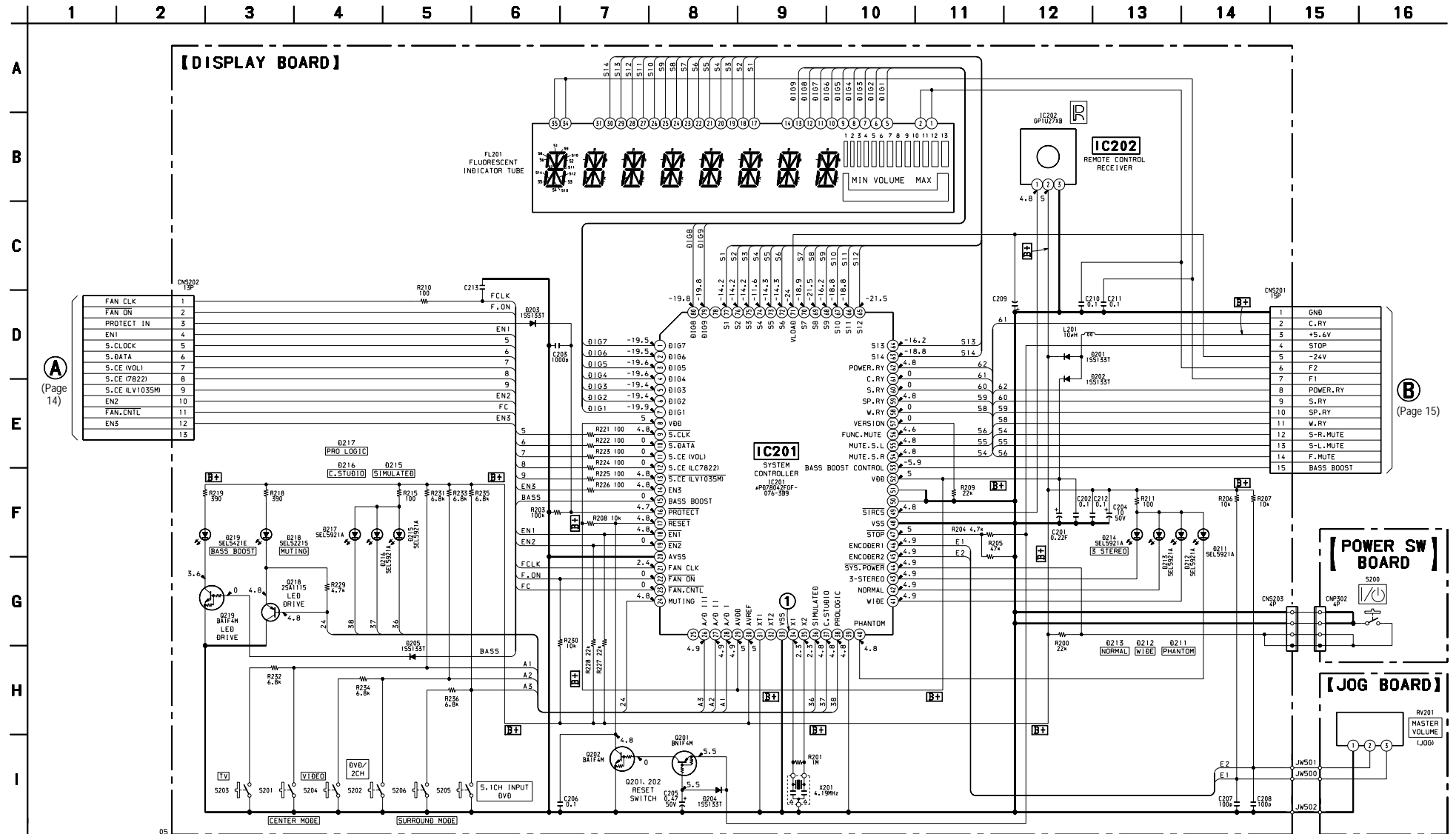
4-4. SCHEMATIC DIAGRAM – MAIN Section (2/2) – • See page 9 for IC Block Diagram.



www.rtv-horvat-dj.hr

4-6. SCHEMATIC DIAGRAM – PANEL Section – • See page 8 for Waveform.

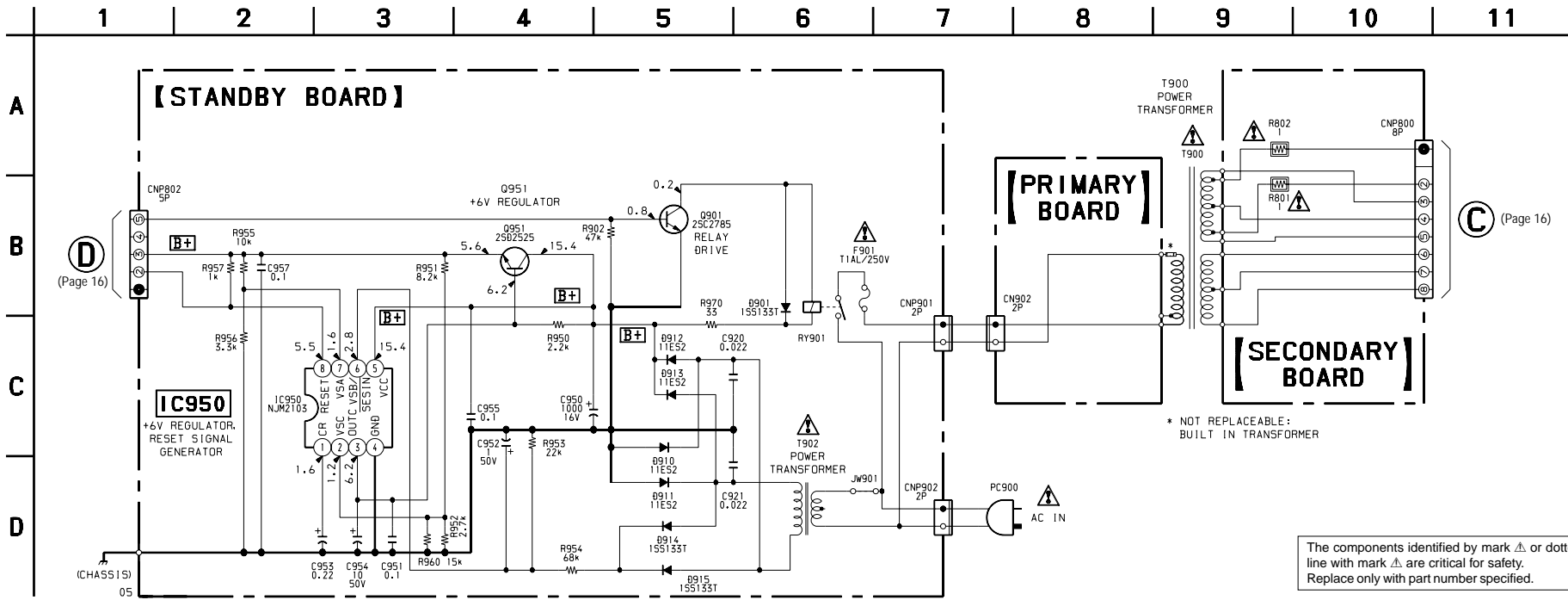
www.rtv-horvat-dj.hr



(Page 14)

(Page 15)

4-8. SCHEMATIC DIAGRAM – POWER Section – • See page 9 for IC Block Diagram.



www.rtv-horvat-dj.hr

(Page 16)

The components identified by mark Δ or dotted line with mark Δ are critical for safety. Replace only with part number specified.

4-9. IC PIN FUNCTION DESCRIPTION

• DISPLAY BOARD IC201 μ PD78042FGF-076-3B9 (SYSTEM CONTROLLER, FL/LED DRIVER, KEY CONTROL)

| Pin No. | Pin Name | I/O | Function |
|---------|-----------------|-----|-------------------------------------------------------------------------------------------------------------------------------------------------------------------------------|
| 1 to 7 | DIG7 to DIG1 | O | Grid drive signal output to the fluorescent indicator tube (FL201) |
| 8 | VDD | — | Power supply terminal (+5V) |
| 9 | S. CLK | O | Serial data transfer clock signal output to the M62447SP (IC100), LV1035M (IC300) and LC7822 (IC500) |
| 10 | S. DATA | O | Serial data output to the M62447SP (IC100), LV1035M (IC300) and LC7822 (IC500) |
| 11 | S. CE (VOL) | O | Chip enable signal output to the M62447SP (IC100) "H" active |
| 12 | S. CE (LC7822) | O | Chip enable signal output to the LC7822 (IC500) "H" active |
| 13 | S. CE (LV1035M) | O | Chip enable signal output to the LV1035M (IC300) "H" active |
| 14 | EN3 | O | Enable signal output terminal "L" active Not used |
| 15 | BASS BOOST | O | LED drive signal output of the BASS BOOST LED (D219) "H": LED on |
| 16 | PROTECT | I | Overload protection input terminal |
| 17 | RESET | I | System reset signal input from the reset signal generator circuit "L": reset For several hundreds msec. after the power supply rises, "L" is input, then it changes to "H" |
| 18 | EN1 | O | Enable signal output to the function switch (IC402) "L" active |
| 19 | EN2 | O | Enable signal output to the function switch (IC401) "L" active |
| 20 | AVSS | — | Ground terminal (for A/D converter) |
| 21 | FAN CLK | I | Fan motor clock signal input terminal |
| 22 | FAN ON | I | Fan on signal input for the fan motor drive |
| 23 | FAN. CNTL | O | Fan motor control signal output terminal "L": fan motor on |
| 24 | MUTING | O | LED drive signal output of the MUTING LED (D218) "H": LED on |
| 25 | — | I | Not used (open) |
| 26 | A/D III | I | Key input terminal (A/D input) S205, 206 (5.1 IN, SURROUND MODE keys input) |
| 27 | A/D II | I | Key input terminal (A/D input) S202, 204 (VIDEO, DVD keys input) |
| 28 | A/D I | I | Key input terminal (A/D input) S201, 203 (CENTER MODE, TV keys input) |
| 29 | AVDD | — | Power supply terminal (+5V) (for A/D converter) |
| 30 | AVREF | I | Reference voltage (+5V) input terminal (for A/D converter) |
| 31 | XT1 | I | Sub system clock input terminal Not used (fixed at "L") |
| 32 | XT2 | O | Sub system clock output terminal Not used (open) |
| 33 | VSS | — | Ground terminal |
| 34 | X1 | I | Main system clock input terminal (4.19 MHz) |
| 35 | X2 | O | Main system clock output terminal (4.19 MHz) |
| 36 | SIMULATED | O | LED drive signal output of the SIMULATED LED (D215) "L": LED on |
| 37 | C. STUDIO | O | LED drive signal output of the C.STUDIO LED (D216) "L": LED on |
| 38 | PROLOGIC | O | LED drive signal output of the PROLOGIC LED (D217) "L": LED on |
| 39 | — | I | Not used (fixed at "L") |
| 40 | PHANTOM | O | LED drive signal output of the PHANTOM LED (D211) "L": LED on |
| 41 | WIDE | O | LED drive signal output of the WIDE LED (D212) "L": LED on |
| 42 | NORMAL | O | LED drive signal output of the NORMAL LED (D213) "L": LED on |
| 43 | 3-STEREO | O | LED drive signal output of the 3 STEREO LED (D214) "L": LED on |
| 44 | SYS. POWER | I | System power on/off switch (S200 I/⏻) input terminal |
| 45 | ENCODER 2 | I | Jog dial pulse input from the rotary encoder (RV201 MASTER VOLUME) |
| 46 | ENCODER 1 | I | Jog dial pulse input from the rotary encoder (RV201 MASTER VOLUME) |
| 47 | STOP | I | Power down detection signal input from the NJM2103D (IC950) "L": power down |
| 48 | VSS | — | Ground terminal |
| 49 | SIRCS | I | Sircs signal input from the remote control receiver (IC202) |
| 50, 51 | — | I | Not used (fixed at "L") |

| Pin No. | Pin Name | I/O | Function |
|----------|--------------------|-----|---------------------------------------------------------------------------------------------------|
| 52 | VDD | — | Power supply terminal (+5V) |
| 53 | BASS BOOST CONTROL | O | Bass boost on/off control signal output for the DBFB circuit “H”: bass boost on |
| 54 | MUTE. S. R | O | Line muting on/off control signal output for the rear speaker right channel signal “H”: muting on |
| 55 | MUTE. S. L | O | Line muting on/off control signal output for the rear speaker left channel signal “H”: muting on |
| 56 | FUNC. MUTE | O | Line muting on/off control signal output for the front and center speakers signal “H”: muting on |
| 57 | VERSION | I | Setting terminal for the version (fixed at “L” in this set) |
| 58 | W. RY | O | Woofer on/off relay drive signal output terminal “H”: relay on |
| 59 | SP. RY | O | Front speaker on/off relay drive signal output terminal (for protect) “H”: relay on |
| 60 | S. RY | O | Rear speaker on/off relay drive signal output terminal (for protect) “H”: relay on |
| 61 | C. RY | O | Center speaker on/off relay drive signal output terminal (for protect) “H”: relay on |
| 62 | POWER. RY | O | Power on/off relay drive signal output terminal “H”: relay on (power on) |
| 63 to 70 | S14 to S7 | O | Segment drive signal output to the fluorescent indicator tube (FL201) |
| 71 | VLOAD | — | Power supply terminal (-24V) (for FL drive) |
| 72 to 77 | S6 to S1 | O | Segment drive signal output to the fluorescent indicator tube (FL201) |
| 78 | — | O | Not used (open) |
| 79, 80 | DIG9, DIG8 | O | Grid drive signal output to the fluorescent indicator tube (FL201) |

SECTION 5 EXPLODED VIEWS

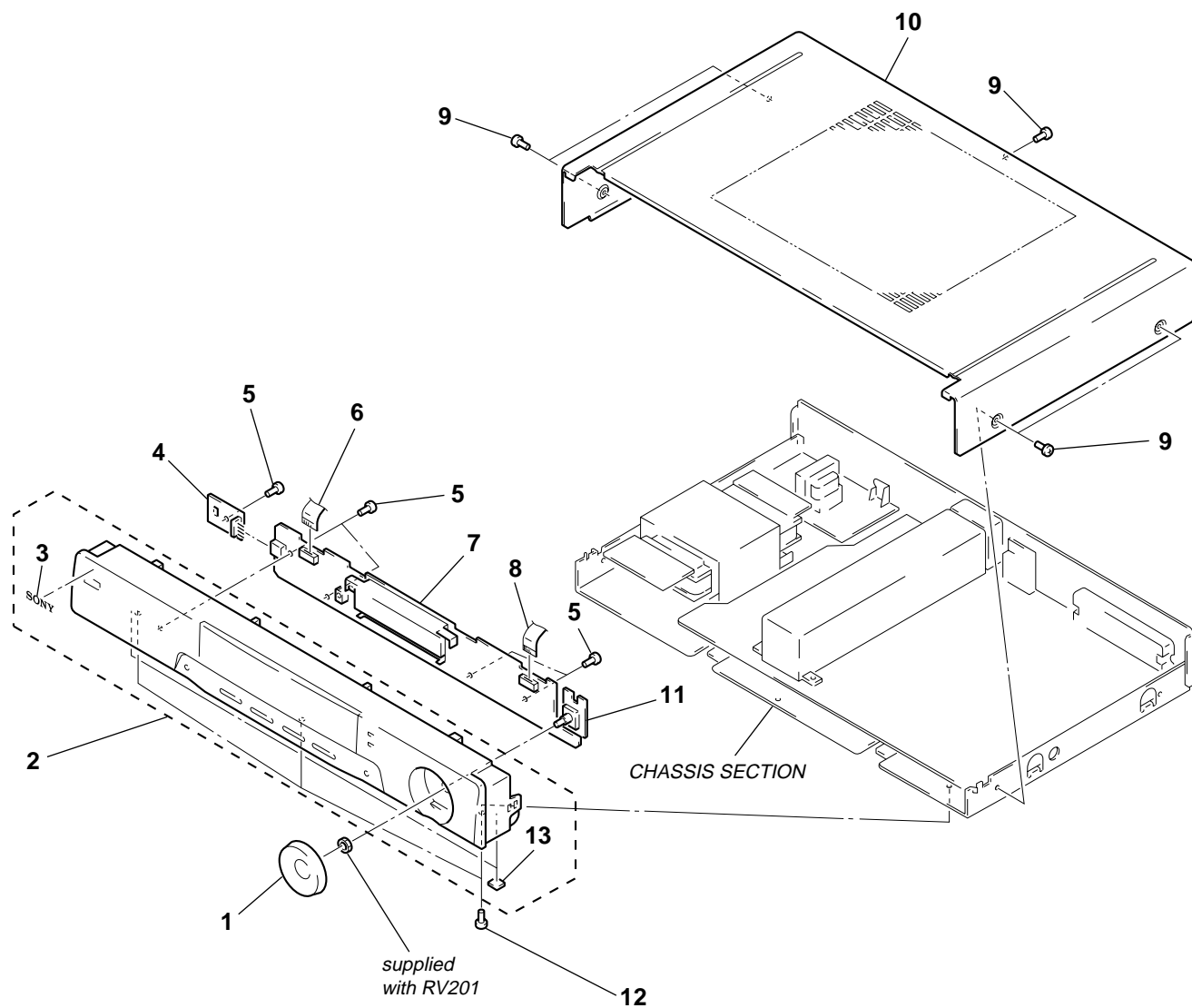
NOTE:

- -XX and -X mean standardized parts, so they may have some difference from the original one.
 - Color Indication of Appearance Parts
Example:
KNOB, BALANCE (WHITE) . . . (RED)
- ↑
↑
 Parts Color Cabinet's Color

- Items marked "*" are not stocked since they are seldom required for routine service. Some delay should be anticipated when ordering these items.
- The mechanical parts with no reference number in the exploded views are not supplied.
- Accessories and packing materials are given in the last of the electrical parts list.

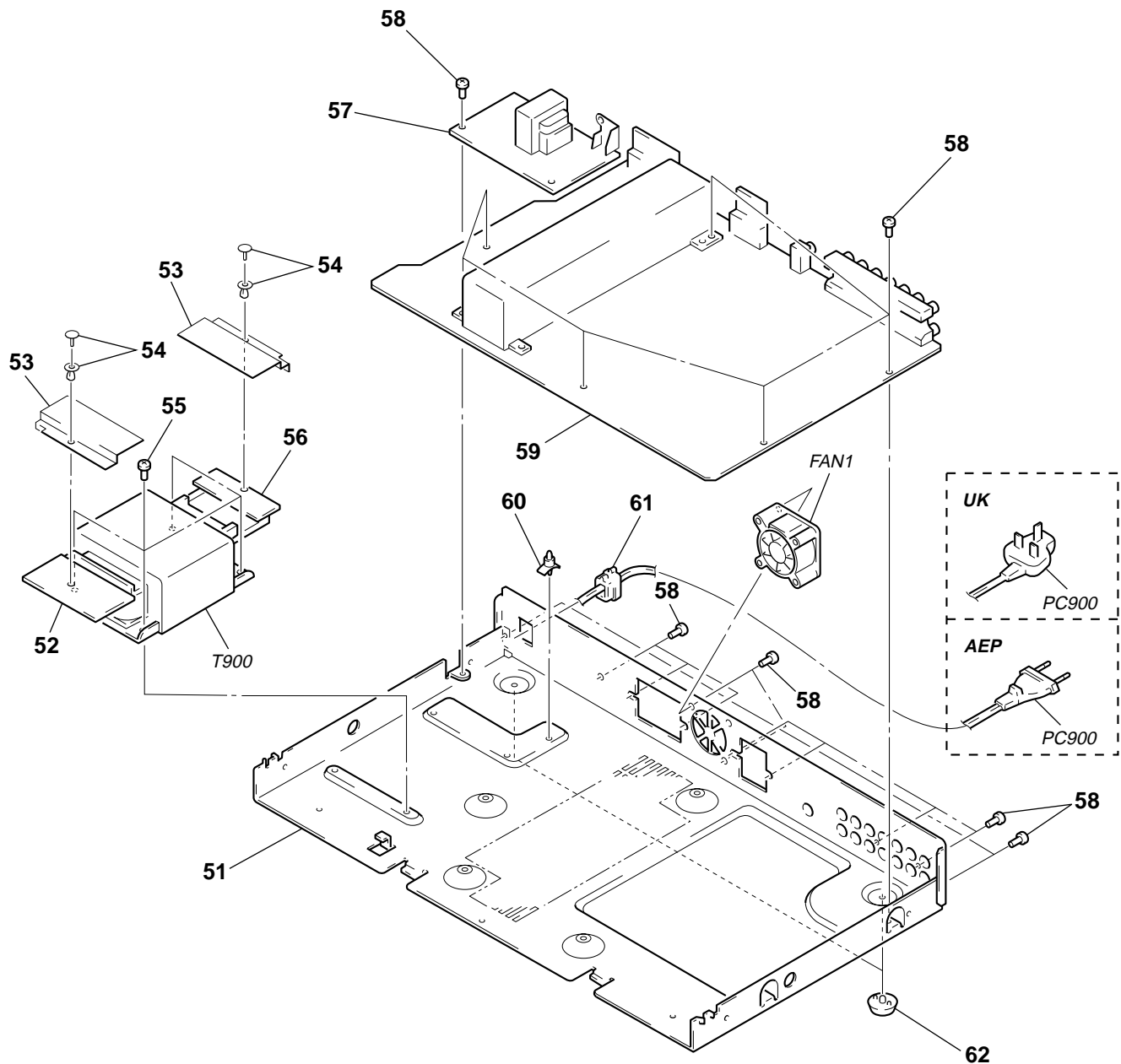
The components identified by mark Δ or dotted line with mark Δ are critical for safety. Replace only with part number specified.

(1) CASE, FRONT PANEL SECTION



| Ref. No. | Part No. | Description | Remark | Ref. No. | Part No. | Description | Remark |
|----------|--------------|----------------------------|--------|----------|--------------|----------------------------|--------|
| 1 | 4-211-178-01 | KNOB (VOL) | | 8 | 1-769-973-11 | WIRE (FLAT TYPE) (13 CORE) | |
| 2 | X-4950-243-1 | FRONT PANEL ASSY | | 9 | 3-710-901-11 | SCREW, TAPPING | |
| 3 | 3-008-600-11 | EMBLEM (5-AR), SONY | | * 10 | 4-211-182-01 | CASE | |
| * 4 | 1-670-635-11 | POWER SW BOARD | | * 11 | 1-670-683-11 | JOG BOARD | |
| 5 | 4-951-620-01 | SCREW (2.6X8), +BVTP | | 12 | 7-685-646-79 | SCREW +BVTP 3X8 TYPE2 N-S | |
| 6 | 1-777-353-11 | WIRE (FLAT TYPE) (15 CORE) | | 13 | 4-977-358-11 | CUSHION | |
| * 7 | A-4414-849-A | DISPLAY BOARD, COMPLETE | | | | | |

(2) CHASSIS SECTION



The components identified by mark \triangle or dotted line with mark \triangle are critical for safety. Replace only with part number specified.

| Ref. No. | Part No. | Description | Remark | Ref. No. | Part No. | Description | Remark |
|----------|--------------|---------------------------|--------|-------------------|--------------|----------------------|--------|
| * 51 | 4-211-183-01 | CHASSIS PANEL | | * 59 | A-4414-854-A | MAIN BOARD, COMPLETE | |
| * 52 | 1-670-639-11 | SECONDARY BOARD | | * 60 | 4-924-098-21 | HOLDER, PC BOARD | |
| 53 | 4-212-070-01 | INSULATOR (PT) | | * 61 | 3-703-244-00 | BUSHING (2104), CORD | |
| 54 | 3-531-576-11 | RIVET | | 62 | 4-965-822-01 | FOOT | |
| 55 | 7-685-880-09 | SCREW +BVTT 4X6 (S) | | FAN1 | 1-763-137-11 | FAN, DC | |
| * 56 | 1-670-638-11 | PRIMARY BOARD | | \triangle PC900 | 1-751-520-11 | CORD, POWER (UK) | |
| * 57 | A-4414-851-A | STANDBY BOARD, COMPLETE | | \triangle PC900 | 1-777-071-21 | CORD, POWER (AEP) | |
| 58 | 7-685-646-79 | SCREW +BVTP 3X8 TYPE2 N-S | | \triangle T900 | 1-431-979-11 | TRANSFORMER, POWER | |

SECTION 6 ELECTRICAL PARTS LIST

DISPLAY

NOTE:

- Due to standardization, replacements in the parts list may be different from the parts specified in the diagrams or the components used on the set.
- -XX and -X mean standardized parts, so they may have some difference from the original one.
- **RESISTORS**
All resistors are in ohms.
METAL: Metal-film resistor.
METAL OXIDE: Metal oxide-film resistor.
F: nonflammable

- Items marked “*” are not stocked since they are seldom required for routine service. Some delay should be anticipated when ordering these items.
- **SEMICONDUCTORS**
In each case, u: μ , for example:
uA. . : μ A. . uPA. . : μ PA. .
uPB. . : μ PB. . uPC. . : μ PC. .
uPD. . : μ PD. .
- **CAPACITORS**
uF: μ F
- **COILS**
uH: μ H

The components identified by mark Δ or dotted line with mark Δ are critical for safety. Replace only with part number specified.

When indicating parts by reference number, please include the board.

| Ref. No. | Part No. | Description | Remark | Ref. No. | Part No. | Description | Remark |
|----------|--------------|----------------------------------|---------|----------|--------------|------------------------|--------|
| * | A-4414-849-A | DISPLAY BOARD, COMPLETE ***** | | | | < IC > | |
| | | | | IC201 | 8-759-546-41 | IC uPD78042FGF-076-3B9 | |
| * | 4-921-941-01 | CUSHION (FL) | | IC202 | 8-759-332-18 | IC GP1U27XB | |
| * | 4-943-107-11 | HOLDER (FL TUBE) | | | | < COIL > | |
| | | < CAPACITOR > | | L201 | 1-410-509-11 | INDUCTOR 10uH | |
| C201 | 1-125-486-11 | DOUBLE LAYERS 0.22F | 5.5V | | | < TRANSISTOR > | |
| C202 | 1-164-159-11 | CERAMIC 0.1uF | 50V | | | | |
| C203 | 1-162-294-31 | CERAMIC 0.001uF | 10% 50V | | | | |
| C204 | 1-124-261-00 | ELECT 10uF | 20% 50V | Q201 | 8-729-900-63 | TRANSISTOR DTA124ES | |
| C205 | 1-124-465-00 | ELECT 0.47uF | 20% 50V | Q202 | 8-729-900-36 | TRANSISTOR DTC124ES | |
| | | | | Q218 | 8-729-119-76 | TRANSISTOR 2SA1175-HFE | |
| C206 | 1-164-159-11 | CERAMIC 0.1uF | 50V | Q219 | 8-729-900-36 | TRANSISTOR DTC124ES | |
| C207 | 1-162-282-31 | CERAMIC 100PF | 10% 50V | | | < RESISTOR > | |
| C208 | 1-162-282-31 | CERAMIC 100PF | 10% 50V | R200 | 1-249-433-11 | CARBON 22K 5% 1/4W | |
| C210 | 1-164-159-11 | CERAMIC 0.1uF | 50V | R201 | 1-247-903-00 | CARBON 1M 5% 1/4W | |
| C211 | 1-164-159-11 | CERAMIC 0.1uF | 50V | R203 | 1-249-441-11 | CARBON 100K 5% 1/4W | |
| | | | | R204 | 1-249-425-11 | CARBON 4.7K 5% 1/4W | |
| C212 | 1-164-159-11 | CERAMIC 0.1uF | 50V | R205 | 1-249-437-11 | CARBON 47K 5% 1/4W | |
| | | < CONNECTOR > | | R206 | 1-249-429-11 | CARBON 10K 5% 1/4W | |
| * CNS201 | 1-569-306-11 | SOCKET, CONNECTOR (L TYRE) 15P | | R207 | 1-249-429-11 | CARBON 10K 5% 1/4W | |
| CNS202 | 1-568-444-11 | SOCKET, CONNECTOR 13P | | R208 | 1-249-429-11 | CARBON 10K 5% 1/4W | |
| * CNS203 | 1-565-480-11 | CONNECTOR, BOARD TO BOARD 4P | | R209 | 1-249-433-11 | CARBON 22K 5% 1/4W | |
| | | < DIODE > | | R210 | 1-247-807-31 | CARBON 100 5% 1/4W | |
| D201 | 8-719-911-19 | DIODE 1SS119 | | R211 | 1-247-807-31 | CARBON 100 5% 1/4W | |
| D202 | 8-719-911-19 | DIODE 1SS119 | | R215 | 1-247-807-31 | CARBON 100 5% 1/4W | |
| D203 | 8-719-911-19 | DIODE 1SS119 | | R218 | 1-249-412-11 | CARBON 390 5% 1/4W | |
| D204 | 8-719-911-19 | DIODE 1SS119 | | R219 | 1-249-412-11 | CARBON 390 5% 1/4W | |
| D205 | 8-719-911-19 | DIODE 1SS119 | | R221 | 1-247-807-31 | CARBON 100 5% 1/4W | |
| D211 | 8-719-046-36 | LED SEL5921A-TP15 (PHANTOM) | | R222 | 1-247-807-31 | CARBON 100 5% 1/4W | |
| D212 | 8-719-046-36 | LED SEL5921A-TP15 (WIDE) | | R223 | 1-247-807-31 | CARBON 100 5% 1/4W | |
| D213 | 8-719-046-36 | LED SEL5921A-TP15 (NORMAL) | | R224 | 1-247-807-31 | CARBON 100 5% 1/4W | |
| D214 | 8-719-046-36 | LED SEL5921A-TP15 (3 STEREO) | | R225 | 1-247-807-31 | CARBON 100 5% 1/4W | |
| D215 | 8-719-046-36 | LED SEL5921A-TH15 (SIMULATED) | | R226 | 1-247-807-31 | CARBON 100 5% 1/4W | |
| D216 | 8-719-046-36 | LED SEL5921A-TH15 (C. STUDIO) | | R227 | 1-249-433-11 | CARBON 22K 5% 1/4W | |
| D217 | 8-719-046-36 | LED SEL5921A-TH15 (PRO LOGIC) | | R228 | 1-249-433-11 | CARBON 22K 5% 1/4W | |
| D218 | 8-719-046-44 | LED SEL5221S (MUTING) | | R229 | 1-249-425-11 | CARBON 4.7K 5% 1/4W | |
| D219 | 8-719-046-43 | LED SEL5421E-TP15 (BASS BOOST) | | R230 | 1-249-429-11 | CARBON 10K 5% 1/4W | |
| | | < FLUORESCENT INDICATOR TUBE > | | R231 | 1-249-427-11 | CARBON 6.8K 5% 1/4W | |
| FL201 | 1-517-786-11 | INDICATOR TUBE, FLUORESCENT | | R232 | 1-249-427-11 | CARBON 6.8K 5% 1/4W | |
| | | | | R233 | 1-249-427-11 | CARBON 6.8K 5% 1/4W | |
| | | | | R234 | 1-249-427-11 | CARBON 6.8K 5% 1/4W | |
| | | | | R235 | 1-249-427-11 | CARBON 6.8K 5% 1/4W | |

DISPLAY **JOG** **MAIN**

| Ref. No. | Part No. | Description | Remark | Ref. No. | Part No. | Description | Remark |
|----------|--------------|-------------------------------------|-----------------|----------|--------------|-------------|-----------------|
| R236 | 1-249-427-11 | CARBON | 6.8K 5% 1/4W | C307 | 1-126-964-11 | ELECT | 10uF 20% 50V |
| | | < SWITCH > | | C308 | 1-126-964-11 | ELECT | 10uF 20% 50V |
| S201 | 1-762-875-21 | SWITCH, KEYBOARD (CENTER MODE) | | C309 | 1-162-291-31 | CERAMIC | 560PF 10% 50V |
| S202 | 1-762-875-21 | SWITCH, KEYBOARD (DVD, 2CH) | | C310 | 1-126-962-11 | ELECT | 3.3uF 20% 50V |
| S203 | 1-762-875-21 | SWITCH, KEYBOARD (TV) | | C311 | 1-126-961-11 | ELECT | 2.2uF 20% 50V |
| S204 | 1-762-875-21 | SWITCH, KEYBOARD (VIDEO) | | C312 | 1-126-934-11 | ELECT | 220uF 20% 10V |
| S205 | 1-762-875-21 | SWITCH, KEYBOARD (5.1CH INPUT, DVD) | | C313 | 1-126-934-11 | ELECT | 220uF 20% 10V |
| | | < VIBRATOR > | | C314 | 1-136-165-00 | FILM | 0.1uF 5% 50V |
| S206 | 1-762-875-21 | SWITCH, KEYBOARD (SURROUND MODE) | | C315 | 1-164-159-11 | CERAMIC | 0.1uF 20% 50V |
| | | < VIBRATOR > | | C316 | 1-124-252-00 | ELECT | 0.33uF 20% 50V |
| X201 | 1-577-101-11 | VIBRATOR, CERAMIC (4.19MHz) | | C317 | 1-164-159-11 | CERAMIC | 0.1uF 50V |
| | | ***** | | C318 | 1-136-357-11 | FILM | 680PF 5% 50V |
| * | 1-670-683-11 | JOG BOARD | | C322 | 1-126-962-11 | ELECT | 3.3uF 20% 50V |
| | | ***** | | C323 | 1-136-173-00 | FILM | 0.47uF 5% 50V |
| | | < ROTARY ENCODER > | | C324 | 1-104-664-11 | ELECT | 47uF 20% 16V |
| RV201 | 1-475-886-11 | ENCODER, ROTARY (MASTER VOLUME) | | C325 | 1-136-165-00 | FILM | 0.1uF 5% 50V |
| | | ***** | | C326 | 1-136-165-00 | FILM | 0.1uF 5% 50V |
| * | A-4414-854-A | MAIN BOARD, COMPLETE | | C327 | 1-126-959-11 | ELECT | 0.47uF 20% 50V |
| | | ***** | | C328 | 1-126-163-11 | ELECT | 4.7uF 20% 50V |
| | 4-812-134-00 | RIVET (DIA. 3.5), NYLON | | C329 | 1-126-959-11 | ELECT | 0.47uF 20% 50V |
| | 7-685-872-09 | SCREW +BVTT 3X8 (S) | | C330 | 1-126-163-11 | ELECT | 4.7uF 20% 50V |
| | | < CAPACITOR > | | C331 | 1-124-250-11 | ELECT | 0.15uF 20% 50V |
| C101 | 1-126-163-11 | ELECT | 4.7uF 20% 50V | C332 | 1-126-962-11 | ELECT | 3.3uF 20% 50V |
| C102 | 1-126-163-11 | ELECT | 4.7uF 20% 50V | C333 | 1-124-250-11 | ELECT | 0.15uF 20% 50V |
| C103 | 1-126-163-11 | ELECT | 4.7uF 20% 50V | C334 | 1-137-372-11 | FILM | 0.022uF 5% 50V |
| C104 | 1-126-163-11 | ELECT | 4.7uF 20% 50V | C335 | 1-136-161-00 | FILM | 0.047uF 5% 50V |
| C105 | 1-126-163-11 | ELECT | 4.7uF 20% 50V | C336 | 1-126-934-11 | ELECT | 220uF 20% 10V |
| C106 | 1-126-163-11 | ELECT | 4.7uF 20% 50V | C337 | 1-126-964-11 | ELECT | 10uF 20% 50V |
| C107 | 1-162-291-31 | CERAMIC | 560PF 10% 50V | C338 | 1-126-964-11 | ELECT | 10uF 20% 50V |
| C108 | 1-126-163-11 | ELECT | 4.7uF 20% 50V | C339 | 1-126-964-11 | ELECT | 10uF 20% 50V |
| C109 | 1-126-163-11 | ELECT | 4.7uF 20% 50V | C340 | 1-126-964-11 | ELECT | 10uF 20% 50V |
| C110 | 1-126-163-11 | ELECT | 4.7uF 20% 50V | C341 | 1-126-934-11 | ELECT | 220uF 20% 10V |
| C111 | 1-126-163-11 | ELECT | 4.7uF 20% 50V | C342 | 1-126-962-11 | ELECT | 3.3uF 20% 50V |
| C112 | 1-126-163-11 | ELECT | 4.7uF 20% 50V | C343 | 1-126-962-11 | ELECT | 3.3uF 20% 50V |
| C113 | 1-126-163-11 | ELECT | 4.7uF 20% 50V | C344 | 1-136-165-00 | FILM | 0.1uF 5% 50V |
| C114 | 1-164-159-11 | CERAMIC | 0.1uF 50V | C345 | 1-136-165-00 | FILM | 0.1uF 5% 50V |
| C115 | 1-126-964-11 | ELECT | 10uF 20% 50V | C346 | 1-126-959-11 | ELECT | 0.47uF 20% 50V |
| C116 | 1-126-964-11 | ELECT | 10uF 20% 50V | C347 | 1-126-163-11 | ELECT | 4.7uF 20% 50V |
| C117 | 1-164-159-11 | CERAMIC | 0.1uF 50V | C348 | 1-126-959-11 | ELECT | 0.47uF 20% 50V |
| C118 | 1-164-159-11 | CERAMIC | 0.1uF 50V | C349 | 1-126-163-11 | ELECT | 4.7uF 20% 50V |
| C119 | 1-126-964-11 | ELECT | 10uF 20% 50V | C350 | 1-124-250-11 | ELECT | 0.15uF 20% 50V |
| C150 | 1-164-159-11 | CERAMIC | 0.1uF 50V | C351 | 1-126-962-11 | ELECT | 3.3uF 20% 50V |
| C151 | 1-164-159-11 | CERAMIC | 0.1uF 50V | C352 | 1-124-250-11 | ELECT | 0.15uF 20% 50V |
| C152 | 1-164-159-11 | CERAMIC | 0.1uF 50V | C357 | 1-164-159-11 | CERAMIC | 0.1uF 50V |
| C153 | 1-164-159-11 | CERAMIC | 0.1uF 50V | C359 | 1-126-163-11 | ELECT | 4.7uF 20% 50V |
| C154 | 1-164-159-11 | CERAMIC | 0.1uF 50V | C360 | 1-126-163-11 | ELECT | 4.7uF 20% 50V |
| C155 | 1-164-159-11 | CERAMIC | 0.1uF 50V | C361 | 1-164-159-11 | CERAMIC | 0.1uF 50V |
| C302 | 1-126-934-11 | ELECT | 220uF 20% 10V | C362 | 1-162-294-31 | CERAMIC | 0.001uF 10% 50V |
| C303 | 1-130-494-11 | MYLAR | 0.082uF 5% 50V | C370 | 1-164-159-11 | CERAMIC | 0.1uF 50V |
| C304 | 1-137-367-11 | FILM | 0.0033uF 5% 50V | C371 | 1-126-966-11 | ELECT | 33uF 20% 16V |
| C305 | 1-130-494-11 | MYLAR | 0.082uF 5% 50V | C501 | 1-126-163-11 | ELECT | 4.7uF 20% 50V |
| C306 | 1-126-959-11 | ELECT | 0.47uF 20% 50V | C502 | 1-162-282-31 | CERAMIC | 100PF 10% 50V |
| | | | | C503 | 1-162-282-31 | CERAMIC | 100PF 10% 50V |
| | | | | C504 | 1-102-942-00 | CERAMIC | 5.0PF 0.5PF 50V |
| | | | | C506 | 1-104-665-11 | ELECT | 100uF 20% 16V |
| | | | | C507 | 1-126-160-11 | ELECT | 1uF 20% 50V |
| | | | | C509 | 1-137-372-11 | FILM | 0.022uF 5% 50V |
| | | | | C511 | 1-126-163-11 | ELECT | 4.7uF 20% 50V |

| Ref. No. | Part No. | Description | Remark | | | Ref. No. | Part No. | Description | Remark | | |
|----------|--------------|-------------|---------|-------|-----|---------------|--------------|--------------------------------|---------|-----|-----|
| C512 | 1-126-163-11 | ELECT | 4.7uF | 20% | 50V | C802 | 1-136-169-00 | FILM | 0.22uF | 5% | 50V |
| C513 | 1-126-163-11 | ELECT | 4.7uF | 20% | 50V | C803 | 1-126-256-11 | ELECT | 4700uF | 20% | 35V |
| C514 | 1-126-160-11 | ELECT | 1uF | 20% | 50V | C804 | 1-126-256-11 | ELECT | 4700uF | 20% | 35V |
| C515 | 1-164-159-11 | CERAMIC | 0.1uF | | 50V | C807 | 1-104-664-11 | ELECT | 47uF | 20% | 25V |
| C516 | 1-126-163-11 | ELECT | 4.7uF | 20% | 50V | C808 | 1-104-664-11 | ELECT | 47uF | 20% | 25V |
| C517 | 1-162-193-31 | CERAMIC | 3.3PF | 10% | 50V | C809 | 1-126-160-11 | ELECT | 1uF | 20% | 50V |
| C519 | 1-126-160-11 | ELECT | 1uF | 20% | 50V | C810 | 1-126-160-11 | ELECT | 1uF | 20% | 50V |
| C551 | 1-126-163-11 | ELECT | 4.7uF | 20% | 50V | C811 | 1-126-942-61 | ELECT | 1000uF | 20% | 25V |
| C552 | 1-126-163-11 | ELECT | 4.7uF | 20% | 50V | C812 | 1-126-941-11 | ELECT | 470uF | 20% | 25V |
| C553 | 1-126-160-11 | ELECT | 1uF | 20% | 50V | C813 | 1-101-001-00 | CERAMIC | 0.001uF | | 50V |
| C554 | 1-126-163-11 | ELECT | 4.7uF | 20% | 50V | C814 | 1-101-001-00 | CERAMIC | 0.001uF | | 50V |
| C555 | 1-126-160-11 | ELECT | 1uF | 20% | 50V | C815 | 1-126-949-11 | ELECT | 220uF | 20% | 35V |
| C567 | 1-162-193-31 | CERAMIC | 3.3PF | 10% | 50V | C816 | 1-126-967-11 | ELECT | 47uF | 20% | 50V |
| C601 | 1-126-163-11 | ELECT | 4.7uF | 20% | 50V | C817 | 1-126-160-11 | ELECT | 1uF | 20% | 50V |
| C602 | 1-162-282-31 | CERAMIC | 100PF | 10% | 50V | C818 | 1-104-664-11 | ELECT | 47uF | 20% | 25V |
| C603 | 1-162-282-31 | CERAMIC | 100PF | 10% | 50V | CC07 | 1-162-282-31 | CERAMIC | 100PF | 10% | 50V |
| C604 | 1-102-942-00 | CERAMIC | 5.0PF | 0.5PF | 50V | CC08 | 1-162-282-31 | CERAMIC | 100PF | 10% | 50V |
| C605 | 1-104-665-11 | ELECT | 100uF | 20% | 16V | CC09 | 1-162-282-31 | CERAMIC | 100PF | 10% | 50V |
| C607 | 1-126-160-11 | ELECT | 1uF | 20% | 50V | CC10 | 1-162-282-31 | CERAMIC | 100PF | 10% | 50V |
| C609 | 1-137-372-11 | FILM | 0.022uF | 5% | 50V | CC57 | 1-162-282-31 | CERAMIC | 100PF | 10% | 50V |
| C610 | 1-126-160-11 | ELECT | 1uF | 20% | 50V | CC58 | 1-162-282-31 | CERAMIC | 100PF | 10% | 50V |
| C651 | 1-126-163-11 | ELECT | 4.7uF | 20% | 50V | CC59 | 1-162-282-31 | CERAMIC | 100PF | 10% | 50V |
| C652 | 1-162-282-31 | CERAMIC | 100PF | 10% | 50V | CC60 | 1-162-282-31 | CERAMIC | 100PF | 10% | 50V |
| C653 | 1-162-282-31 | CERAMIC | 100PF | 10% | 50V | CC401 | 1-162-282-31 | CERAMIC | 100PF | 10% | 50V |
| C654 | 1-102-942-00 | CERAMIC | 5.0PF | 0.5PF | 50V | CC403 | 1-162-282-31 | CERAMIC | 100PF | 10% | 50V |
| C655 | 1-104-665-11 | ELECT | 100uF | 20% | 16V | CC405 | 1-162-282-31 | CERAMIC | 100PF | 10% | 50V |
| C656 | 1-126-160-11 | ELECT | 1uF | 20% | 50V | CC451 | 1-162-282-31 | CERAMIC | 100PF | 0% | 50V |
| C659 | 1-137-372-11 | FILM | 0.022uF | 5% | 50V | CC453 | 1-162-282-31 | CERAMIC | 100PF | 10% | 50V |
| C660 | 1-126-160-11 | ELECT | 1uF | 20% | 50V | CC455 | 1-162-282-31 | CERAMIC | 100PF | 10% | 50V |
| C701 | 1-126-163-11 | ELECT | 4.7uF | 20% | 50V | < CONNECTOR > | | | | | |
| C702 | 1-162-282-31 | CERAMIC | 100PF | 10% | 50V | CNS301 | 1-569-321-11 | SOCKET, CONNECTOR 15P | | | |
| C703 | 1-162-282-31 | CERAMIC | 100PF | 10% | 50V | CNS302 | 1-568-443-11 | SOCKET, CONNECTOR 13P | | | |
| C704 | 1-102-942-00 | CERAMIC | 5.0PF | 0.5PF | 50V | CNS800 | 1-691-770-11 | PLUG (MICRO CONNECTOR) 8P | | | |
| C705 | 1-104-665-11 | ELECT | 100uF | 20% | 16V | CNS801 | 1-564-506-11 | PLUG, CONNECTOR 3P | | | |
| C706 | 1-126-160-11 | ELECT | 1uF | 20% | 50V | CNS802 | 1-770-479-11 | PLUG,CONNECTOR PIN(PC BOARD)4P | | | |
| C708 | 1-126-160-11 | ELECT | 1uF | 20% | 50V | < DIODE > | | | | | |
| C709 | 1-137-372-11 | FILM | 0.022uF | 5% | 50V | D100 | 8-719-911-19 | DIODE 1SS119 | | | |
| C710 | 1-124-252-00 | ELECT | 0.33uF | 20% | 50V | D310 | 8-719-911-19 | DIODE 1SS119 | | | |
| C711 | 1-136-159-00 | FILM | 0.033uF | 5% | 50V | D520 | 8-719-911-19 | DIODE 1SS119 | | | |
| C715 | 1-104-664-11 | ELECT | 47uF | 20% | 16V | D521 | 8-719-911-19 | DIODE 1SS119 | | | |
| C718 | 1-164-159-11 | CERAMIC | 0.1uF | | 50V | D550 | 8-719-911-19 | DIODE 1SS119 | | | |
| C720 | 1-102-973-00 | CERAMIC | 100PF | 5% | 50V | D620 | 8-719-911-19 | DIODE 1SS119 | | | |
| C730 | 1-126-934-11 | ELECT | 220uF | 20% | 10V | D621 | 8-719-911-19 | DIODE 1SS119 | | | |
| C732 | 1-164-159-11 | CERAMIC | 0.1uF | | 50V | D710 | 8-719-911-19 | DIODE 1SS119 | | | |
| C751 | 1-126-163-11 | ELECT | 4.7uF | 20% | 50V | D720 | 8-719-911-19 | DIODE 1SS119 | | | |
| C752 | 1-162-282-31 | CERAMIC | 100PF | 10% | 50V | D721 | 8-719-911-19 | DIODE 1SS119 | | | |
| C753 | 1-162-282-31 | CERAMIC | 100PF | 10% | 50V | D731 | 8-719-911-19 | DIODE 1SS119 | | | |
| C754 | 1-102-942-00 | CERAMIC | 5.0PF | 0.5PF | 50V | D801 | 8-719-028-23 | DIODE D3SBA20-4101 | | | |
| C755 | 1-104-665-11 | ELECT | 100uF | 20% | 16V | D810 | 8-719-024-99 | DIODE 11ES2-NTA2B | | | |
| C756 | 1-126-160-11 | ELECT | 1uF | 20% | 50V | D811 | 8-719-024-99 | DIODE 11ES2-NTA2B | | | |
| C758 | 1-126-160-11 | ELECT | 1uF | 20% | 50V | D812 | 8-719-986-54 | DIODE HZS24-1LTA | | | |
| C759 | 1-137-372-11 | FILM | 0.022uF | 5% | 50V | D813 | 8-719-109-85 | DIODE RD5.1ES-B2 | | | |
| C760 | 1-124-252-00 | ELECT | 0.33uF | 20% | 50V | D820 | 8-719-024-99 | DIODE 11ES2-NTA2B | | | |
| C761 | 1-136-159-00 | FILM | 0.033uF | 5% | 50V | D821 | 8-719-024-99 | DIODE 11ES2-NTA2B | | | |
| C765 | 1-104-664-11 | ELECT | 47uF | 20% | 16V | D822 | 8-719-024-99 | DIODE 11ES2-NTA2B | | | |
| C770 | 1-102-973-00 | CERAMIC | 100PF | 5% | 50V | D823 | 8-719-024-99 | DIODE 11ES2-NTA2B | | | |
| C801 | 1-136-169-00 | FILM | 0.22uF | 5% | 50V | | | | | | |

MAIN

| Ref. No. | Part No. | Description | Remark | Ref. No. | Part No. | Description | Remark |
|----------|--------------|---------------------------------|--------|----------|--------------|------------------------|--------|
| D850 | 8-719-911-19 | DIODE 1SS119 | | Q760 | 8-729-202-67 | FET 2SK246-GR3 | |
| | | < EARTH TERMINAL > | | Q761 | 8-729-141-30 | TRANSISTOR 2SC3623A-LK | |
| * G200 | 1-537-738-21 | TERMINAL, EARTH | | Q850 | 8-729-141-30 | TRANSISTOR 2SC3623A-LK | |
| * G201 | 1-537-738-21 | TERMINAL, EARTH | | | | | |
| * G202 | 1-537-738-21 | TERMINAL, EARTH | | Q851 | 8-729-900-63 | TRANSISTOR DTA124ES | |
| | | < IC > | | Q852 | 8-729-116-81 | TRANSISTOR 2SD1616 | |
| IC100 | 8-759-537-31 | IC M62447SP | | Q853 | 8-729-119-76 | TRANSISTOR 2SA1175-HFE | |
| IC300 | 8-759-527-00 | IC LV1035M | | Q854 | 8-729-119-76 | TRANSISTOR 2SA1175-HFE | |
| IC302 | 8-759-636-74 | IC M5218AP-22 | | | | < RESISTOR > | |
| IC401 | 8-759-000-48 | IC MC14052BCP | | R100 | 1-249-433-11 | CARBON 22K 5% 1/4W | |
| IC402 | 8-759-000-48 | IC MC14052BCP | | R101 | 1-249-433-11 | CARBON 22K 5% 1/4W | |
| | | | | R102 | 1-249-433-11 | CARBON 22K 5% 1/4W | |
| IC500 | 8-759-545-64 | IC LC78212 | | R103 | 1-249-433-11 | CARBON 22K 5% 1/4W | |
| IC501 | 8-759-502-33 | IC S118752 | | R104 | 1-247-807-31 | CARBON 100 5% 1/4W | |
| IC502 | 8-759-636-74 | IC M5218AP-22 | | R105 | 1-247-807-31 | CARBON 100 5% 1/4W | |
| IC503 | 8-759-636-74 | IC M5218AP-22 | | R106 | 1-247-807-31 | CARBON 100 5% 1/4W | |
| IC601 | 8-759-502-33 | IC S118752 | | R107 | 1-247-807-31 | CARBON 100 5% 1/4W | |
| | | | | R108 | 1-249-433-11 | CARBON 22K 5% 1/4W | |
| IC651 | 8-759-502-33 | IC S118752 | | R109 | 1-249-433-11 | CARBON 22K 5% 1/4W | |
| IC701 | 8-759-502-33 | IC S118752 | | R110 | 1-249-433-11 | CARBON 22K 5% 1/4W | |
| IC751 | 8-759-502-33 | IC S118752 | | R111 | 1-249-433-11 | CARBON 22K 5% 1/4W | |
| IC801 | 8-759-605-00 | IC M5F78M07L | | R112 | 1-249-433-11 | CARBON 22K 5% 1/4W | |
| IC802 | 8-759-604-95 | IC M5F79M07L | | R113 | 1-249-433-11 | CARBON 22K 5% 1/4W | |
| | | | | R114 | 1-247-807-31 | CARBON 100 5% 1/4W | |
| IC803 | 8-759-701-59 | IC NJM78M09FA | | R115 | 1-247-807-31 | CARBON 100 5% 1/4W | |
| | | < JACK > | | R116 | 1-247-807-31 | CARBON 100 5% 1/4W | |
| J401 | 1-779-381-11 | JACK, PIN 6P (5.1 CH INPUT/DVD) | | R150 | 1-249-417-11 | CARBON 1K 5% 1/4W | |
| J402 | 1-770-614-11 | JACK, PIN 4P (VIDEO, DVD 2CH) | | R151 | 1-249-417-11 | CARBON 1K 5% 1/4W | |
| J403 | 1-770-613-11 | JACK, PIN 4P (TV) | | R152 | 1-249-417-11 | CARBON 1K 5% 1/4W | |
| J404 | 1-774-843-11 | JACK, PIN 1P (WOOFER) | | | | | |
| | | < COIL > | | R153 | 1-249-417-11 | CARBON 1K 5% 1/4W | |
| L301 | 1-410-509-11 | INDUCTOR 10uH | | R154 | 1-249-417-11 | CARBON 1K 5% 1/4W | |
| L507 | 1-420-872-00 | COIL, AIR-CORE | | R155 | 1-249-417-11 | CARBON 1K 5% 1/4W | |
| L607 | 1-420-872-00 | COIL, AIR-CORE | | R156 | 1-249-441-11 | CARBON 100K 5% 1/4W | |
| L657 | 1-420-872-00 | COIL, AIR-CORE | | R157 | 1-249-441-11 | CARBON 100K 5% 1/4W | |
| L707 | 1-420-872-00 | COIL, AIR-CORE | | | | | |
| L757 | 1-420-872-00 | COIL, AIR-CORE | | R158 | 1-249-441-11 | CARBON 100K 5% 1/4W | |
| | | < TRANSISTOR > | | R159 | 1-249-441-11 | CARBON 100K 5% 1/4W | |
| Q150 | 8-729-141-30 | TRANSISTOR 2SC3623A-LK | | R160 | 1-249-441-11 | CARBON 100K 5% 1/4W | |
| Q151 | 8-729-141-30 | TRANSISTOR 2SC3623A-LK | | R161 | 1-249-441-11 | CARBON 100K 5% 1/4W | |
| Q152 | 8-729-141-30 | TRANSISTOR 2SC3623A-LK | | R162 | 1-249-425-11 | CARBON 4.7K 5% 1/4W | |
| Q153 | 8-729-141-30 | TRANSISTOR 2SC3623A-LK | | | | | |
| Q154 | 8-729-141-30 | TRANSISTOR 2SC3623A-LK | | R163 | 1-249-425-11 | CARBON 4.7K 5% 1/4W | |
| Q155 | 8-729-141-30 | TRANSISTOR 2SC3623A-LK | | R164 | 1-249-425-11 | CARBON 4.7K 5% 1/4W | |
| Q367 | 8-729-119-78 | TRANSISTOR 2SC2785-HFE | | R165 | 1-249-425-11 | CARBON 4.7K 5% 1/4W | |
| Q520 | 8-729-119-78 | TRANSISTOR 2SC2785-HFE | | R166 | 1-249-425-11 | CARBON 4.7K 5% 1/4W | |
| Q550 | 8-729-119-78 | TRANSISTOR 2SC2785-HFE | | R167 | 1-249-425-11 | CARBON 4.7K 5% 1/4W | |
| Q551 | 8-729-119-78 | TRANSISTOR 2SC2785-HFE | | | | | |
| Q620 | 8-729-119-78 | TRANSISTOR 2SC2785-HFE | | R168 | 1-249-441-11 | CARBON 100K 5% 1/4W | |
| Q710 | 8-729-202-67 | FET 2SK246-GR3 | | R169 | 1-249-441-11 | CARBON 100K 5% 1/4W | |
| Q711 | 8-729-141-30 | TRANSISTOR 2SC3623A-LK | | R170 | 1-249-441-11 | CARBON 100K 5% 1/4W | |
| Q720 | 8-729-119-78 | TRANSISTOR 2SC2785-HFE | | R300 | 1-247-903-00 | CARBON 1M 5% 1/4W | |
| Q730 | 8-729-119-78 | TRANSISTOR 2SC2785-HFE | | R303 | 1-249-439-11 | CARBON 68K 5% 1/4W | |
| Q731 | 8-729-140-82 | TRANSISTOR 2SA988-PAFAEA | | | | | |
| Q732 | 8-729-140-84 | TRANSISTOR 2SC1841-PAFAEA | | R304 | 1-249-411-11 | CARBON 330 5% 1/4W | |
| | | | | R306 | 1-249-436-11 | CARBON 39K 5% 1/4W | |
| | | | | R307 | 1-247-862-11 | CARBON 20K 5% 1/4W | |
| | | | | R309 | 1-249-421-11 | CARBON 2.2K 5% 1/4W | |
| | | | | R340 | 1-249-420-11 | CARBON 1.8K 5% 1/4W | |
| | | | | | | | |
| | | | | R342 | 1-249-441-11 | CARBON 100K 5% 1/4W | |
| | | | | R343 | 1-249-441-11 | CARBON 100K 5% 1/4W | |
| | | | | R357 | 1-249-441-11 | CARBON 100K 5% 1/4W | |
| | | | | R358 | 1-249-441-11 | CARBON 100K 5% 1/4W | |

| Ref. No. | Part No. | Description | Remark | Ref. No. | Part No. | Description | Remark |
|----------|--------------|-------------|--------------|----------|--------------|-------------|--------------|
| R359 | 1-249-429-11 | CARBON | 10K 5% 1/4W | R605 | 1-247-828-11 | CARBON | 750 5% 1/4W |
| R360 | 1-249-429-11 | CARBON | 10K 5% 1/4W | R607 | 1-249-389-11 | CARBON | 4.7 5% 1/4W |
| R365 | 1-249-425-11 | CARBON | 4.7K 5% 1/4W | R608 | 1-249-437-11 | CARBON | 47K 5% 1/4W |
| R374 | 1-249-429-11 | CARBON | 10K 5% 1/4W | △R609 | 1-249-393-11 | CARBON | 10 5% 1/4W F |
| R375 | 1-249-429-11 | CARBON | 10K 5% 1/4W | R621 | 1-249-426-11 | CARBON | 5.6K 5% 1/4W |
| R381 | 1-247-807-31 | CARBON | 100 5% 1/4W | R622 | 1-249-426-11 | CARBON | 5.6K 5% 1/4W |
| R382 | 1-247-807-31 | CARBON | 100 5% 1/4W | R623 | 1-249-433-11 | CARBON | 22K 5% 1/4W |
| R383 | 1-247-807-31 | CARBON | 100 5% 1/4W | △R640 | 1-249-399-11 | CARBON | 33 5% 1/4W F |
| △R397 | 1-249-404-00 | CARBON | 82 5% 1/4W F | R651 | 1-249-417-11 | CARBON | 1K 5% 1/4W |
| R399 | 1-249-426-11 | CARBON | 5.6K 5% 1/4W | R652 | 1-249-438-11 | CARBON | 56K 5% 1/4W |
| R401 | 1-249-417-11 | CARBON | 1K 5% 1/4W | R654 | 1-249-438-11 | CARBON | 56K 5% 1/4W |
| R403 | 1-249-417-11 | CARBON | 1K 5% 1/4W | R655 | 1-247-828-11 | CARBON | 750 5% 1/4W |
| R405 | 1-249-417-11 | CARBON | 1K 5% 1/4W | R657 | 1-249-389-11 | CARBON | 4.7 5% 1/4W |
| R407 | 1-249-417-11 | CARBON | 1K 5% 1/4W | R658 | 1-249-439-11 | CARBON | 68K 5% 1/4W |
| R408 | 1-249-417-11 | CARBON | 1K 5% 1/4W | △R659 | 1-249-393-11 | CARBON | 10 5% 1/4W F |
| R409 | 1-249-417-11 | CARBON | 1K 5% 1/4W | R701 | 1-249-417-11 | CARBON | 1K 5% 1/4W |
| R410 | 1-249-417-11 | CARBON | 1K 5% 1/4W | R702 | 1-249-438-11 | CARBON | 56K 5% 1/4W |
| R451 | 1-249-417-11 | CARBON | 1K 5% 1/4W | R704 | 1-249-437-11 | CARBON | 47K 5% 1/4W |
| R453 | 1-249-417-11 | CARBON | 1K 5% 1/4W | R705 | 1-249-416-11 | CARBON | 820 5% 1/4W |
| R455 | 1-249-417-11 | CARBON | 1K 5% 1/4W | R707 | 1-249-389-11 | CARBON | 4.7 5% 1/4W |
| R457 | 1-249-417-11 | CARBON | 1K 5% 1/4W | R708 | 1-249-437-11 | CARBON | 47K 5% 1/4W |
| R458 | 1-249-417-11 | CARBON | 1K 5% 1/4W | △R709 | 1-249-393-11 | CARBON | 10 5% 1/4W F |
| R459 | 1-249-417-11 | CARBON | 1K 5% 1/4W | R710 | 1-247-903-00 | CARBON | 1M 5% 1/4W |
| R460 | 1-249-417-11 | CARBON | 1K 5% 1/4W | R711 | 1-247-843-11 | CARBON | 3.3K 5% 1/4W |
| R501 | 1-249-417-11 | CARBON | 1K 5% 1/4W | R712 | 1-249-413-11 | CARBON | 470 5% 1/4W |
| R502 | 1-249-438-11 | CARBON | 56K 5% 1/4W | R713 | 1-247-883-00 | CARBON | 150K 5% 1/4W |
| R504 | 1-249-438-11 | CARBON | 56K 5% 1/4W | R714 | 1-249-427-11 | CARBON | 6.8K 5% 1/4W |
| R505 | 1-247-828-11 | CARBON | 750 5% 1/4W | R715 | 1-249-441-11 | CARBON | 100K 5% 1/4W |
| R507 | 1-249-389-11 | CARBON | 4.7 5% 1/4W | R717 | 1-249-441-11 | CARBON | 100K 5% 1/4W |
| R508 | 1-249-437-11 | CARBON | 47K 5% 1/4W | R718 | 1-247-903-00 | CARBON | 1M 5% 1/4W |
| △R509 | 1-249-393-11 | CARBON | 10 5% 1/4W F | R719 | 1-249-433-11 | CARBON | 22K 5% 1/4W |
| R512 | 1-249-441-11 | CARBON | 100K 5% 1/4W | R721 | 1-249-426-11 | CARBON | 5.6K 5% 1/4W |
| R513 | 1-249-429-11 | CARBON | 10K 5% 1/4W | R722 | 1-249-426-11 | CARBON | 5.6K 5% 1/4W |
| R514 | 1-249-429-11 | CARBON | 10K 5% 1/4W | R723 | 1-249-433-11 | CARBON | 22K 5% 1/4W |
| R515 | 1-249-419-11 | CARBON | 1.5K 5% 1/4W | R730 | 1-249-427-11 | CARBON | 6.8K 5% 1/4W |
| R516 | 1-249-419-11 | CARBON | 1.5K 5% 1/4W | R731 | 1-249-429-11 | CARBON | 10K 5% 1/4W |
| R517 | 1-249-429-11 | CARBON | 10K 5% 1/4W | R732 | 1-249-435-11 | CARBON | 33K 5% 1/4W |
| R518 | 1-249-429-11 | CARBON | 10K 5% 1/4W | R733 | 1-249-429-11 | CARBON | 10K 5% 1/4W |
| R519 | 1-249-429-11 | CARBON | 10K 5% 1/4W | △R740 | 1-249-399-11 | CARBON | 33 5% 1/4W F |
| R520 | 1-249-416-11 | CARBON | 820 5% 1/4W | R742 | 1-249-433-11 | CARBON | 22K 5% 1/4W |
| R521 | 1-249-426-11 | CARBON | 5.6K 5% 1/4W | R743 | 1-249-435-11 | CARBON | 33K 5% 1/4W |
| R522 | 1-249-426-11 | CARBON | 5.6K 5% 1/4W | R744 | 1-249-429-11 | CARBON | 10K 5% 1/4W |
| R523 | 1-249-433-11 | CARBON | 22K 5% 1/4W | R750 | 1-249-417-11 | CARBON | 1K 5% 1/4W |
| △R540 | 1-249-399-11 | CARBON | 33 5% 1/4W F | R751 | 1-249-417-11 | CARBON | 1K 5% 1/4W |
| R550 | 1-249-429-11 | CARBON | 10K 5% 1/4W | R752 | 1-249-438-11 | CARBON | 56K 5% 1/4W |
| R551 | 1-249-441-11 | CARBON | 100K 5% 1/4W | R754 | 1-249-437-11 | CARBON | 47K 5% 1/4W |
| R552 | 1-249-441-11 | CARBON | 100K 5% 1/4W | R755 | 1-249-416-11 | CARBON | 820 5% 1/4W |
| R553 | 1-249-441-11 | CARBON | 100K 5% 1/4W | R757 | 1-249-389-11 | CARBON | 4.7 5% 1/4W |
| R554 | 1-249-416-11 | CARBON | 820 5% 1/4W | R758 | 1-249-439-11 | CARBON | 68K 5% 1/4W |
| R555 | 1-249-425-11 | CARBON | 4.7K 5% 1/4W | △R759 | 1-249-393-11 | CARBON | 10 5% 1/4W F |
| R556 | 1-249-439-11 | CARBON | 68K 5% 1/4W | R760 | 1-247-903-00 | CARBON | 1M 5% 1/4W |
| R557 | 1-247-887-00 | CARBON | 220K 5% 1/4W | R761 | 1-247-843-11 | CARBON | 3.3K 5% 1/4W |
| R558 | 1-249-441-11 | CARBON | 100K 5% 1/4W | R762 | 1-249-413-11 | CARBON | 470 5% 1/4W |
| R581 | 1-249-433-11 | CARBON | 22K 5% 1/4W | R763 | 1-247-883-00 | CARBON | 150K 5% 1/4W |
| R601 | 1-249-417-11 | CARBON | 1K 5% 1/4W | R764 | 1-249-427-11 | CARBON | 6.8K 5% 1/4W |
| R602 | 1-249-438-11 | CARBON | 56K 5% 1/4W | R765 | 1-249-441-11 | CARBON | 100K 5% 1/4W |
| R604 | 1-249-438-11 | CARBON | 56K 5% 1/4W | R769 | 1-249-433-11 | CARBON | 22K 5% 1/4W |
| | | | | R792 | 1-249-433-11 | CARBON | 22K 5% 1/4W |

| | | | | |
|-------------|-----------------|----------------|------------------|----------------|
| MAIN | POWER SW | PRIMARY | SECONDARY | STANDBY |
|-------------|-----------------|----------------|------------------|----------------|

| Ref. No. | Part No. | Description | Remark |
|---------------|--------------|----------------------------------------------------------|--------|
| R793 | 1-249-435-11 | CARBON 33K 5% | 1/4W |
| R794 | 1-249-429-11 | CARBON 10K 5% | 1/4W |
| △R810 | 1-249-386-11 | CARBON 2.7 5% | 1/6W F |
| △R811 | 1-249-386-11 | CARBON 2.7 5% | 1/6W F |
| △R812 | 1-249-413-11 | CARBON 470 5% | 1/4W F |
| △R850 | 1-249-401-11 | CARBON 47 5% | 1/4W F |
| R851 | 1-249-429-11 | CARBON 10K 5% | 1/4W |
| R852 | 1-249-429-11 | CARBON 10K 5% | 1/4W |
| R853 | 1-249-421-11 | CARBON 2.2K 5% | 1/4W |
| R855 | 1-249-441-11 | CARBON 100K 5% | 1/4W |
| R856 | 1-249-425-11 | CARBON 4.7K 5% | 1/4W |
| R860 | 1-249-434-11 | CARBON 27K 5% | 1/4W |
| R861 | 1-249-434-11 | CARBON 27K 5% | 1/4W |
| R862 | 1-249-434-11 | CARBON 27K 5% | 1/4W |
| R901 | 1-249-425-11 | CARBON 4.7K 5% | 1/4W |
| < RELAY > | | | |
| RY301 | 1-755-267-11 | RELAY | |
| RY501 | 1-515-921-11 | RELAY (12V) | |
| RY601 | 1-515-921-11 | RELAY (12V) | |
| RY701 | 1-515-921-11 | RELAY (12V) | |
| < TERMINAL > | | | |
| TM601 | 1-537-510-11 | TERMINAL BOARD (SPEAKER) (6P) (SPEAKERS, CENTER/REAR) | |
| TM701 | 1-537-240-11 | TERMINAL BOARD (CHECKER PIN) (SPEAKERS, FRONT) | |
| < VIBRATOR > | | | |
| X301 | 1-579-952-11 | VIBRATOR, CERAMIC (8MHz) | |
| ***** | | | |
| * | 1-670-635-11 | POWER SW BOARD ***** | |
| < CONNECTOR > | | | |
| * CNP203 | 1-565-295-11 | PLUG, CONNECTOR 4P | |
| < SWITCH > | | | |
| S200 | 1-762-875-21 | SWITCH, KEYBOARD (I/⏻) | |
| ***** | | | |
| * | 1-670-638-11 | PRIMARY BOARD ***** | |
| ***** | | | |
| * | 1-670-639-11 | SECONDARY BOARD ***** | |
| < RESISTOR > | | | |
| △R801 | 1-249-381-11 | CARBON 1 5% | 1/4W F |
| △R802 | 1-249-381-11 | CARBON 1 5% | 1/4W F |
| ***** | | | |
| * | A-4414-851-A | STANDBY BOARD, COMPLETE ***** | |
| | 1-533-293-11 | FUSE HOLDER | |

| Ref. No. | Part No. | Description | Remark |
|-----------------|--------------|-----------------------------|--------|
| < CAPACITOR > | | | |
| C920 | 1-161-494-00 | CERAMIC 0.022uF | 25V |
| C921 | 1-161-494-00 | CERAMIC 0.022uF | 25V |
| C950 | 1-126-767-11 | ELECT 1000uF 20% | 16V |
| C951 | 1-164-159-11 | CERAMIC 0.1uF | 50V |
| C952 | 1-126-960-11 | ELECT 1uF 20% | 50V |
| C953 | 1-124-464-11 | ELECT 0.22uF 20% | 50V |
| C954 | 1-126-964-11 | ELECT 10uF 20% | 50V |
| C955 | 1-164-159-11 | CERAMIC 0.1uF | 50V |
| C957 | 1-164-159-11 | CERAMIC 0.1uF | 50V |
| < CONNECTOR > | | | |
| CNP802 | 1-770-480-11 | SOCKET, CONNECTOR PIN 4P | |
| CNP902 | 1-564-321-00 | PIN, CONNECTOR 2P | |
| < DIODE > | | | |
| D901 | 8-719-911-19 | DIODE 1SS119 | |
| D910 | 8-719-024-99 | DIODE 11ES2-NTA2B | |
| D911 | 8-719-024-99 | DIODE 11ES2-NTA2B | |
| D912 | 8-719-024-99 | DIODE 11ES2-NTA2B | |
| D913 | 8-719-024-99 | DIODE 11ES2-NTA2B | |
| D914 | 8-719-911-19 | DIODE 1SS119 | |
| D915 | 8-719-911-19 | DIODE 1SS119 | |
| < FUSE > | | | |
| △F901 | 1-532-463-51 | FUSE, TIME LAG (T1AL/250V) | |
| < IC > | | | |
| IC950 | 8-759-333-83 | IC NJM2103D | |
| < TRANSISTOR > | | | |
| Q901 | 8-729-119-78 | TRANSISTOR 2SC2785-HFE | |
| Q951 | 8-729-026-68 | TRANSISTOR 2SD2525 (TP) | |
| < RESISTOR > | | | |
| R902 | 1-249-437-11 | CARBON 47K 5% | 1/4W |
| R950 | 1-249-421-11 | CARBON 2.2K 5% | 1/4W |
| R951 | 1-249-428-11 | CARBON 8.2K 5% | 1/4W |
| R952 | 1-249-422-11 | CARBON 2.7K 5% | 1/4W |
| R953 | 1-249-433-11 | CARBON 22K 5% | 1/4W |
| R954 | 1-249-439-11 | CARBON 68K 5% | 1/4W |
| R955 | 1-249-429-11 | CARBON 10K 5% | 1/4W |
| R956 | 1-247-843-11 | CARBON 3.3K 5% | 1/4W |
| R957 | 1-249-417-11 | CARBON 1K 5% | 1/4W |
| R960 | 1-249-431-11 | CARBON 15K 5% | 1/4W |
| R970 | 1-249-399-11 | CARBON 33 5% | 1/4W |
| < RELAY > | | | |
| RY901 | 1-755-018-11 | RELAY | |
| < TRANSFORMER > | | | |
| △T902 | 1-450-358-11 | TRANSFORMER, POWER ***** | |

The components identified by mark △ or dotted line with mark △ are critical for safety. Replace only with part number specified.

| <u>Ref. No.</u> | <u>Part No.</u> | <u>Description</u> | <u>Remark</u> |
|-----------------|-----------------|----------------------------|---------------|
| | | MISCELLANEOUS ***** | |
| 6 | 1-777-353-11 | WIRE (FLAT TYPE) (15 CORE) | |
| 8 | 1-769-973-11 | WIRE (FLAT TYPE) (13 CORE) | |
| FAN1 | 1-763-137-11 | FAN, DC | |
| △PC900 | 1-751-520-11 | CORD, POWER (UK) | |
| △PC900 | 1-777-071-21 | CORD, POWER (AEP) | |
| △T900 | 1-431-979-11 | TRANSFORMER, POWER | |

ACCESSORIES & PACKING MATERIALS

- 1-475-042-11 ADAPTOR (EURO SCART ADAPTOR)
- 1-475-808-11 REMOTE COMMANDER (RM-U150)
- 3-864-251-11 INSTRUCTION MANUAL
(ENGLISH, FRENCH, DUTCH, SWEDISH) (AEP)
- 3-864-251-21 INSTRUCTION MANUAL (GERMAN, SPANISH,
ITALIAN, PORTUGUESE) (AEP)
- 3-864-251-31 INSTRUCTION MANUAL (ENGLISH) (UK)
- 4-981-643-01 COVER, BATTERY (for RM-U150)