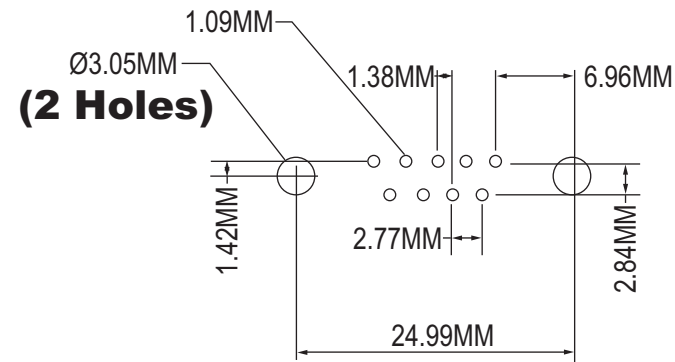
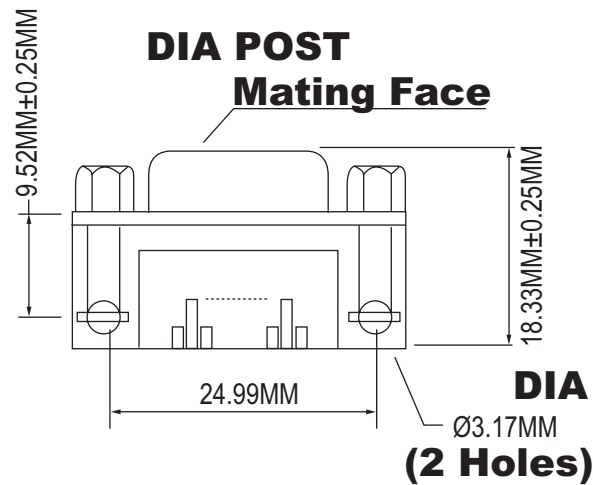


Material:

- Shell: Tin Plated Steel
- Insulator: PBT Thermo Plastic, Black Color, 30% Glass Filled Self-Extinguishing, UL94V-0 Rated
- Contact Material:
 - Pin: Brass
 - Socket: Phosphor Bronze
- Contact Plating: Gold over Nickel

Electrical:

- Current Rating: 5 Amps
- Dielectric Strength: 1,000V AC Min.
- Insulation Resistance: 5,000MΩ Min.
- Operating Temperature Range: -55°C ~ +125°C



PCB Hole Patterns

⊕ = Assmann logo



ITEM NO.	ADF09A-KG-TAXB3-R
TITLE	D-Sub Connector, Right Angle 9 Pin

ASSMANN
Electronics, Inc.

1840 W. Drake Drive, Suite 101 • Tempe, AZ 85283
Toll Free: 1-877-277-6266 • Email: info@usa-assmann.com

THIS DRAWING IS UNPUBLISHED
©Copyright 2009 by Assmann Electronic Components
All International Rights Reserved