

Double-Balanced Mixer

M63H/M63HC

V3

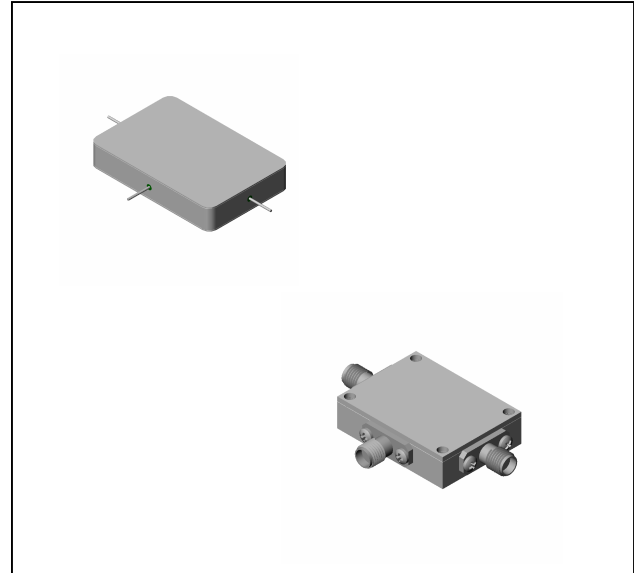
Features

- LO 2.5 TO 7.5 GHz
- RF 2.5 TO 6.5 GHz
- IF DC TO 1.5 GHz
- LO DRIVE: +20 dBm (NOMINAL)
- HIGH THIRD-ORDER IP +22 dBm (TYP.)

Description

The M63H is a double balanced mixer, designed for use in military, commercial and test equipment applications. The design utilizes Schottky ring quad diodes and broadband soft dielectric and ferrite baluns to attain excellent performance. This mixer can also be used as a phase detector and/or bi-phase modulator since the IF port is DC coupled to the diodes. The use of high temperature solder and welded assembly processes used internally makes it ideal for use in manual, semi-automated assembly. Environmental screening available to MIL-STD-883, MIL-STD-202, or MIL-DTL-28837, consult factory.

Product Image



Ordering Information

Part Number	Package
M63H	Minpac
M63HC	SMA Connectorized

www.DataSheet4U.com

Electrical Specifications: $Z_0 = 50\Omega$ $Lo = +20$ dBm (Downconverter application only)

Parameter	Test Conditions	Units	Typical	Guaranteed	
				+25°C	-54° to +85°C
SSB Conversion Loss (max) & SSB Noise Figure (max)	fR = 3 to 5 GHz, fL = 3 to 5.5 GHz, fl = 0.03 to 0.5 GHz fR = 2.5 to 6.5 GHz, fL = 2.5 to 7.5 GHz, fl = 0.03 to 1.5 GHz	dB	5.8	6.5	6.8
			6.0	7.5	7.8
Isolation, L to R (min)	fL = 2.5 to 6.5 GHz fL = 6.5 to 7.5 GHz	dB	42	30	29
			32	26	25
Isolation, L to I (min)	fL = 3 to 5.5 GHz fL = 5.5 to 7.5GHz fL = 2.5 to 3 GHz	dB	24	19	18
			18	13	12
			21	17	16
1 dB Conversion Comp.	fL = +20 dBm	dBm	+14		
Input IP3	fR1=4 GHz at 0 dBm, fR2=3.99 GHz at 0 dBm, fL = 5 GHz at = 20 dBm	dBm	+22		

1

M/A-COM Inc. and its affiliates reserve the right to make changes to the product(s) or information contained herein without notice. M/A-COM makes no warranty, representation or guarantee regarding the suitability of its products for any particular purpose, nor does M/A-COM assume any liability whatsoever arising out of the use or application of any product(s) or information.

• **North America** Tel: 800.366.2266 / Fax: 978.366.2266
 • **Europe** Tel: 44.1908.574.200 / Fax: 44.1908.574.300
 • **Asia/Pacific** Tel: 81.44.844.8296 / Fax: 81.44.844.8298

Visit www.macom.com for additional data sheets and product information.

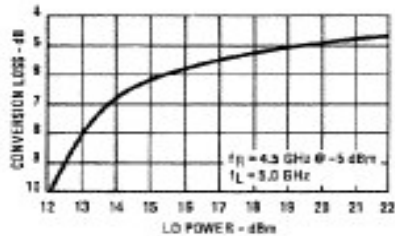
Double-Balanced Mixer

M63H/M63HC

V3

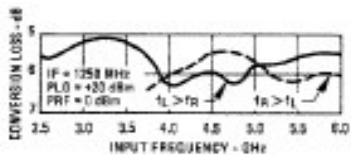
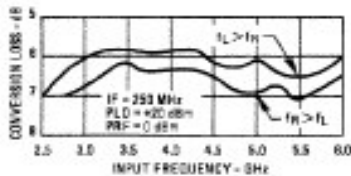
Typical Performance Curves

Drive Level

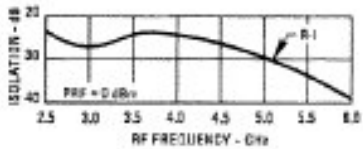
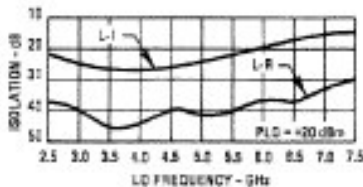


Drive Level: The maximum recommended drive level is +23 dBm.

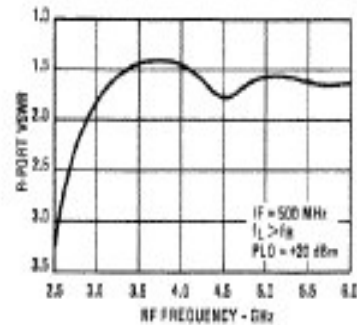
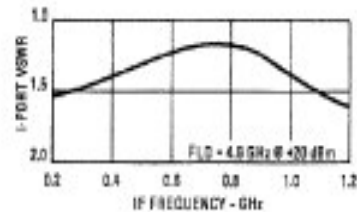
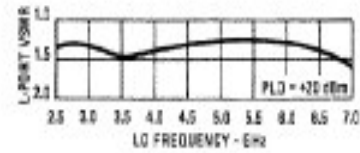
Conversion Loss



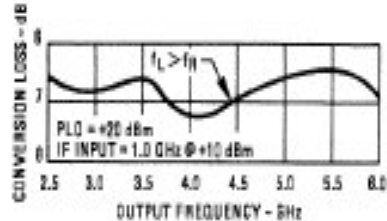
Isolation



VSWR



Conversion Loss (Upconversion)



Double-Balanced Mixer

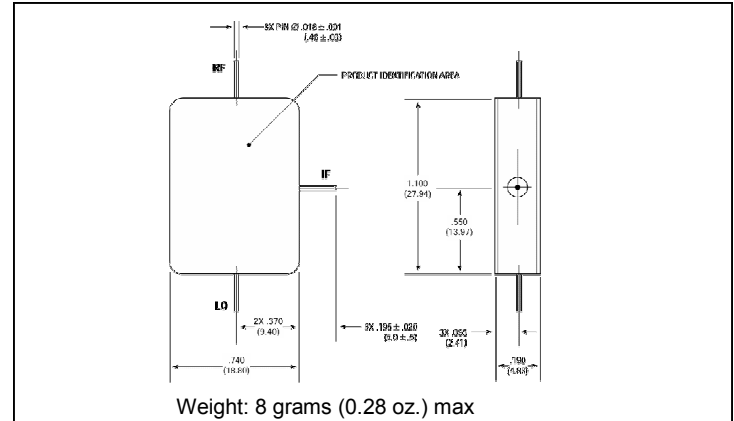
M63H/M63HC

V3

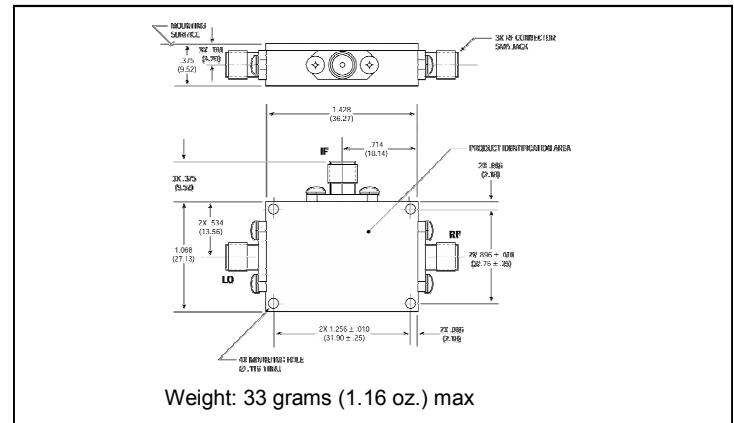
Absolute Maximum Ratings

Parameter	Absolute Maximum
Operating Temperature	-54°C to +100°C
Storage Temperature	-65°C to +100°C
Peak Input Power	+25 dBm max @ +25°C +21 dBm max @ +100°C
Peak Input Current	100 mA DC

Outline Drawing: Minipac *



Outline Drawing: SMA Connectorized *



* Dimensions are inches (millimeters) ±0.015 (0.38) unless otherwise specified.