



**SF2182D**

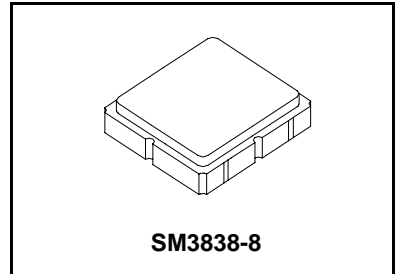
**140 MHz  
SAW Filter**

- 22 MHz Filter Bandwidth
- 3.8 x 3.8 x 1.4 mm Surface-mount Package
- Complies with Directive 2002/95/EC (RoHS)



**Absolute Maximum Ratings**

Rating	Value	Units
Maximum Incident Power in Passband	+10	dBm
Maximum DC Voltage on any Non-ground Terminal	3	VDC
Storage Temperature Range in Tape and Reel	-40 to +85	°C
Suitable for Lead-free Soldering - Maximum Soldering Profile	260°C for 30 s	



**Electrical Characteristics**

Characteristic	Sym	Notes	Min	Typ	Max	Units
Nominal Center Frequency	$F_C$	1		140		MHz
Insertion Loss	$IL_{MAX}$	1		13.5	15.0	dB
Insertion Loss Variation over Temperature		1			1	dB
3 dB Bandwidth		1	40	43		MHz
Passband Amplitude Ripple, Single-ended Matching, 120 to 160 MHz		1		0.8	1.5	dB <sub>p,p</sub>
Passband Amplitude Ripple, Balanced Matching, 120 to 160 MHz		1		1.2	2.0	dB <sub>p,p</sub>
Absolute Attenuation (referenced to $IL_{MAX}$ )						
10 to 70 MHz		3	45	50		dB
70 to 115 MHz		3	25	40		
166.5 to 200 MHz		3	25	40		
200 to 400 MHz		3	45	50		
Absolute Group Delay in Passband		1		400	450	ns
Passband Group Delay Ripple, Matching Network A or B, 129 to 151 MHz		1		20	50	ns <sub>p,p</sub>
Input Impedance, Unbalanced Matching Network		1		50		ohm
Input Impedance, Balanced Matching Network		1		200		ohm
Input Return Loss through any Matching Network		1	3	8		dB
Output Impedance, Unbalanced Matching Network		1		50		ohm
Output Impedance, Balanced Matching Network		1		200		ohm
Output Return Loss through any Matching Network		1	3	10		dB
Operating Temperature Range			-40		+85	°C
Case Style		SM3838-8 3.8 x 3.8 mm Nominal Footprint				
Lid Symbolization (Y=year, WW=week, S=shift)		RFM 873 YWWS				

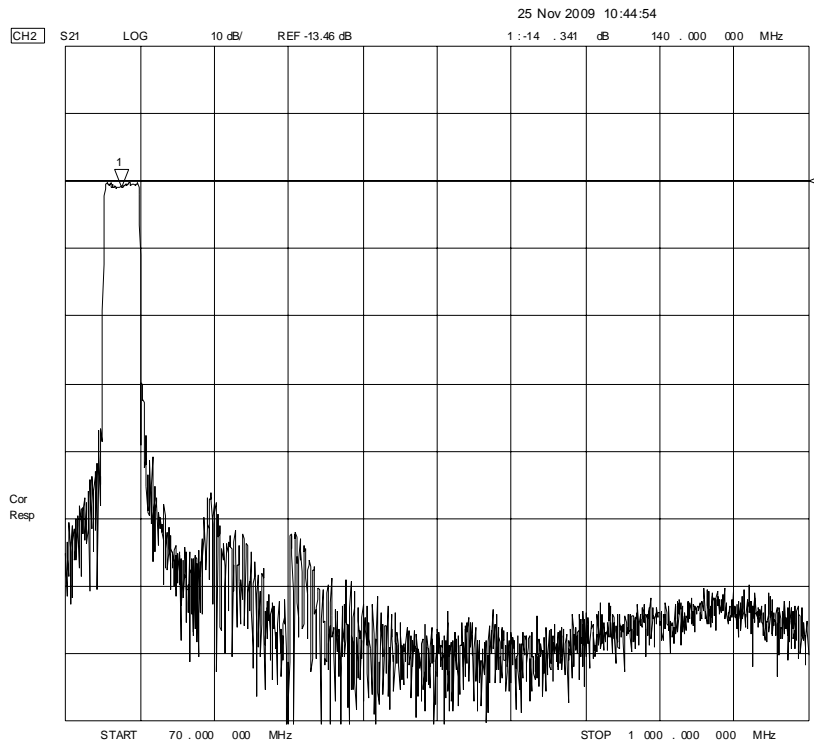
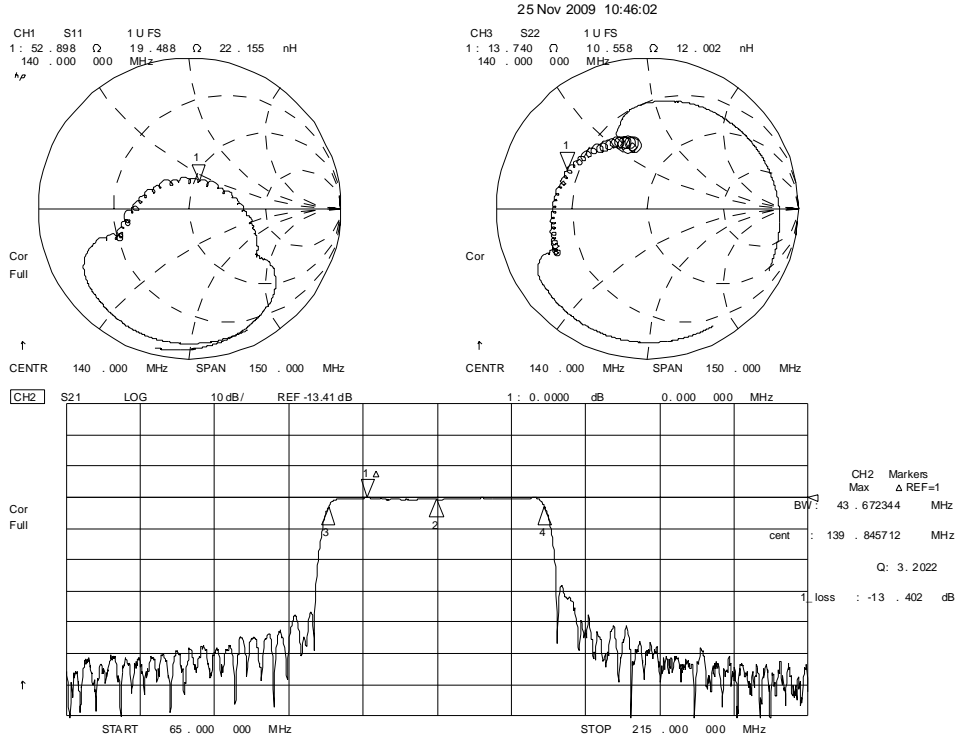


**CAUTION: Electrostatic Sensitive Device. Observe precautions for handling.**

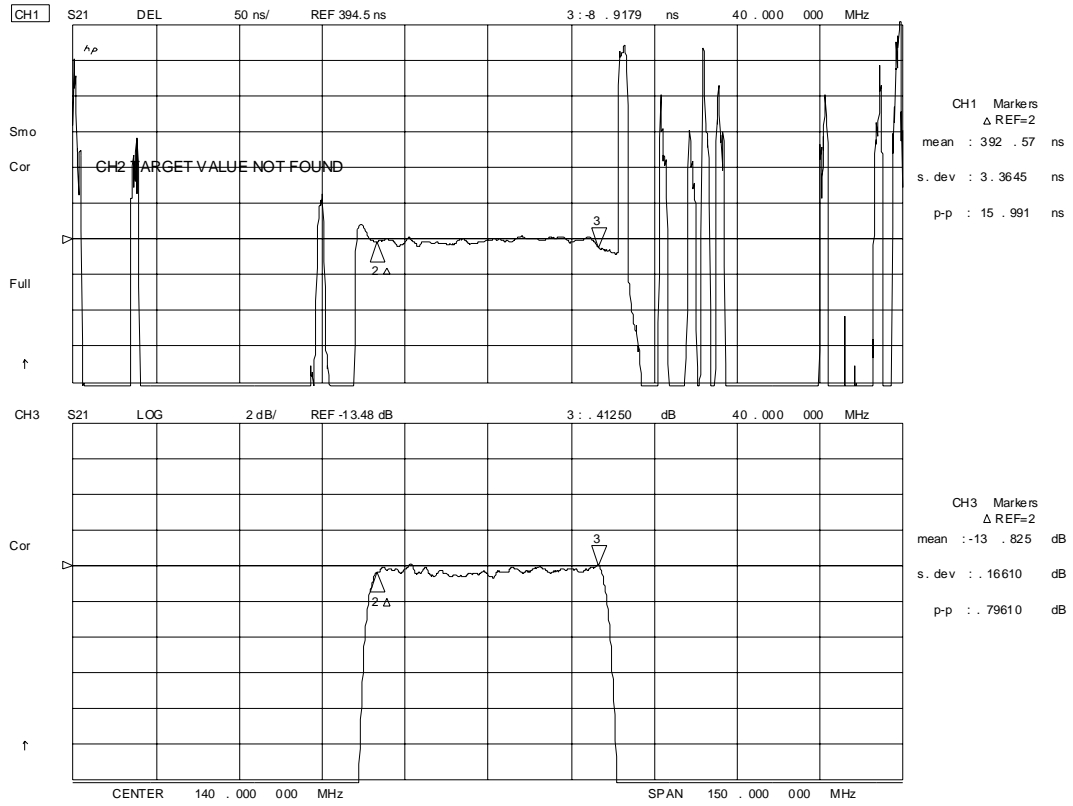
**Notes:**

1. Unless noted otherwise, all specifications apply over the operating temperature range with filter soldered to the specified demonstration board with impedance matching to 50 Ω and measured with 50 Ω network analyzer.
2. Unless noted otherwise, all frequency specifications are referenced to the nominal center frequency,  $f_c$ .
3. Rejection in final user application is dependent on PCB layout and external impedance matching design. See Application Note No. 42 for details.
4. "LRIP" or "L" after the part number indicates "low rate initial production" and "ENG" or "E" indicates "engineering prototypes."
5. The design, manufacturing process, and specifications of this filter are subject to change.
6. Either Port 1 or Port 2 may be used for either input or output in the design. However, impedances and impedance matching may vary between Port 1 and Port 2, so that the filter must always be installed in one direction per the circuit design.
7. US and international patents may apply.
8. RFM, stylized RFM logo, and RF Monolithics, Inc. are registered trademarks of RF Monolithics, Inc.

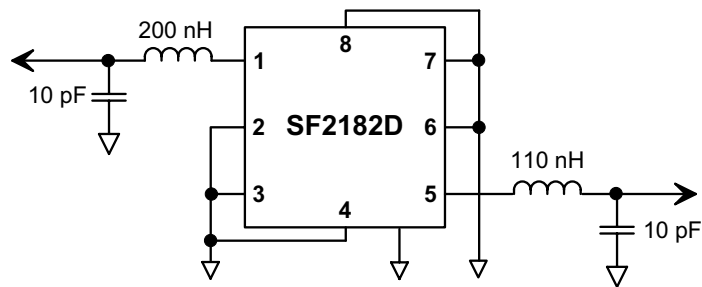
# SF2182D, Single-ended Matching



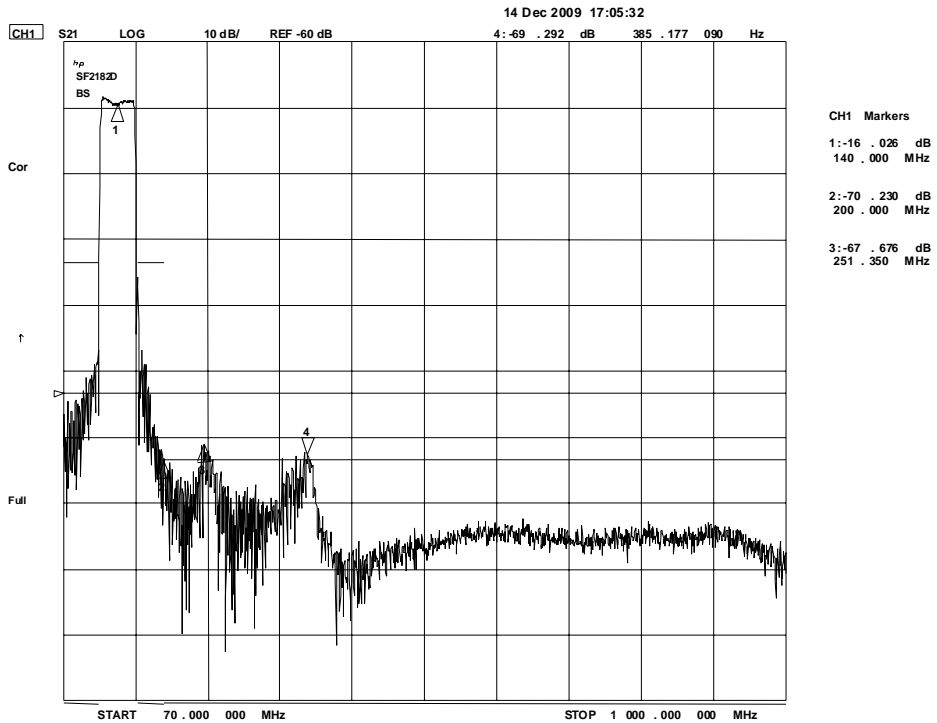
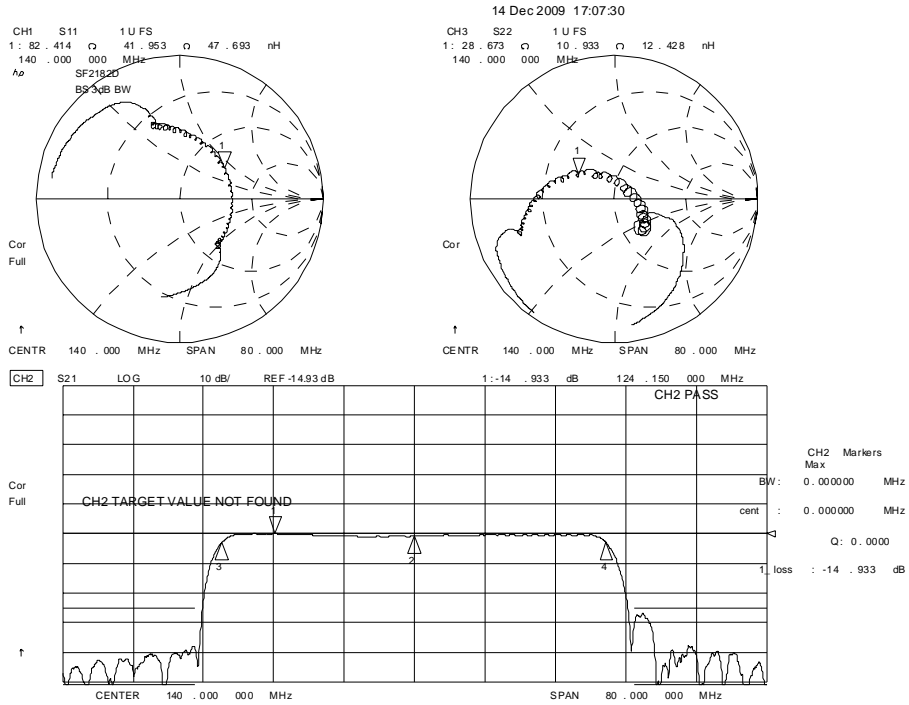
25 Nov 2009 10:48:26

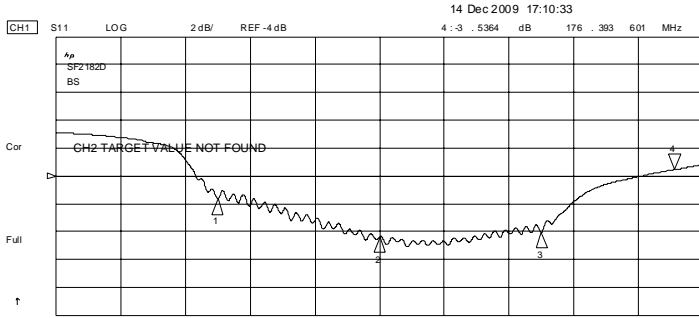


### SF2182D Single-ended Test Circuit



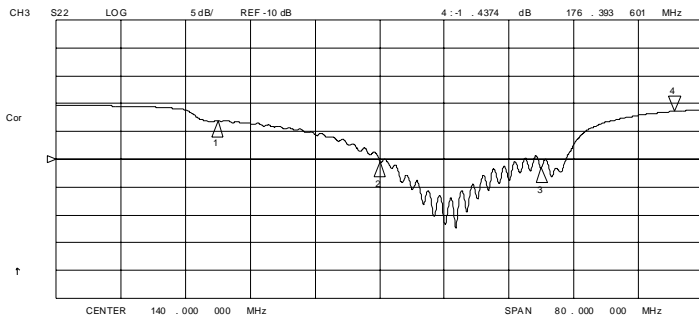
# SF2182D, Balanced Input Matching





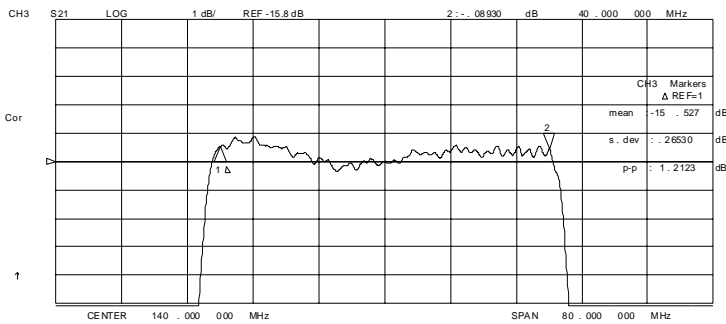
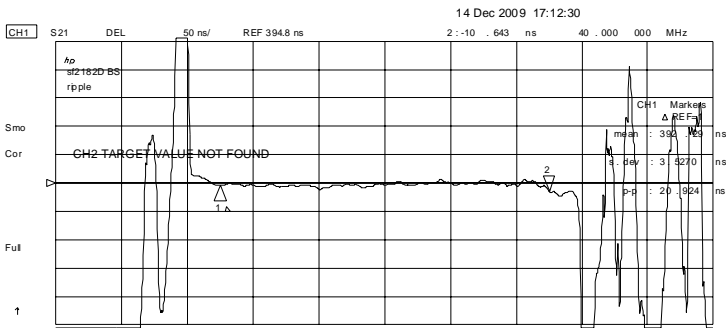
CH1 Markers

1	-5	.6388	dB
		120 .000	MHz
2	-8	.3618	dB
		140 .000	MHz
3	-8	.0368	dB
		160 .000	MHz



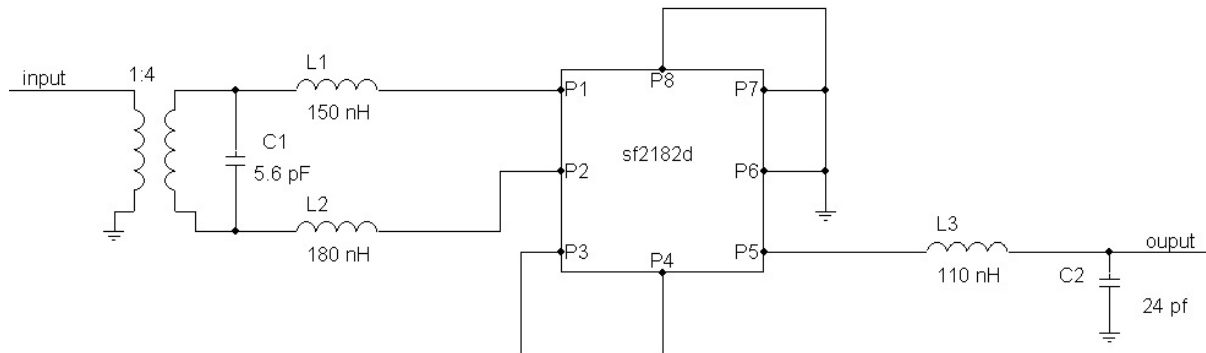
CH3 Markers

1	-3	.1613	dB
		120 .000	MHz
2	-10	.380	dB
		140 .000	MHz
3	-11	.514	dB
		160 .000	MHz

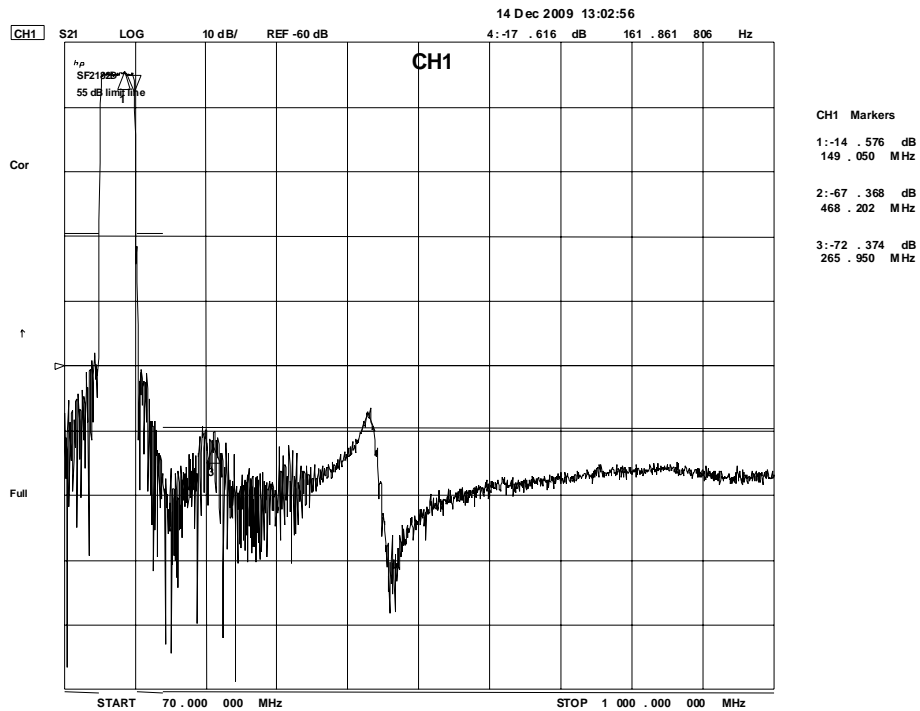
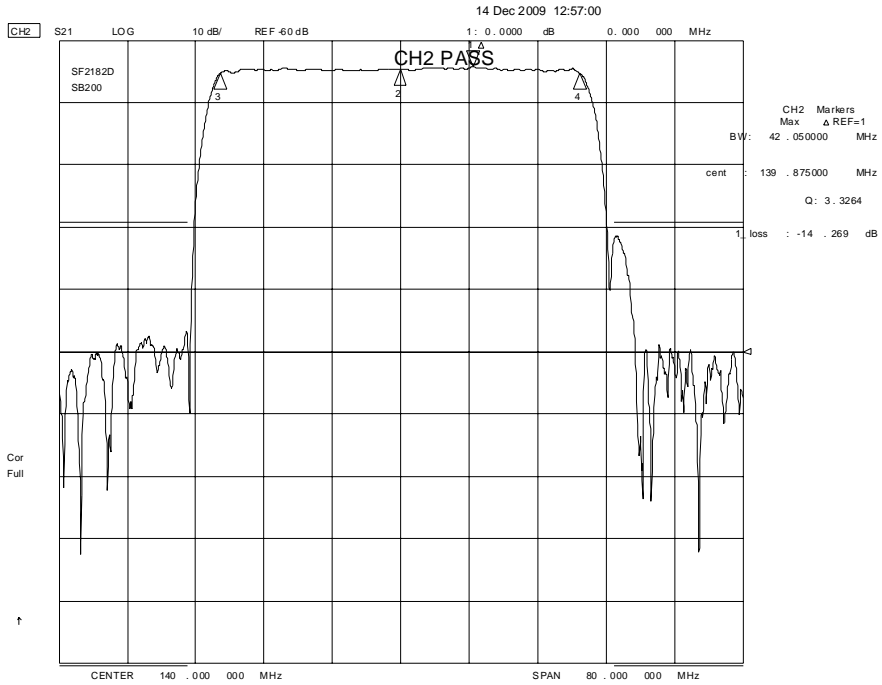


---

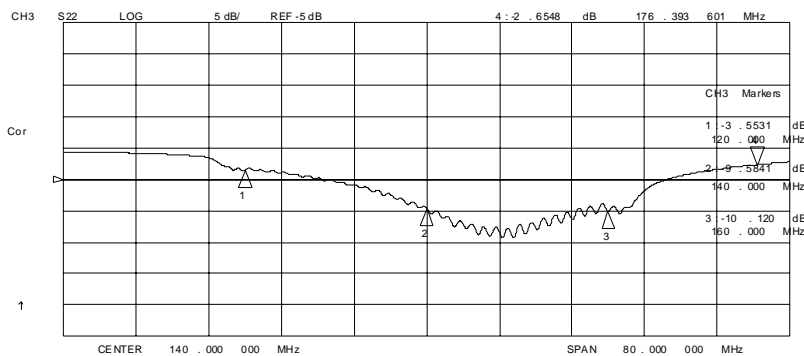
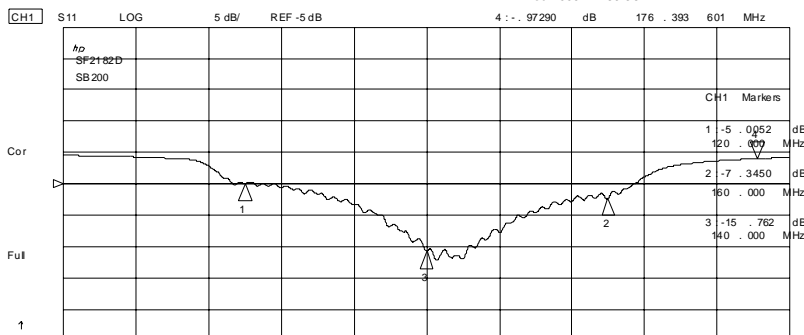
# SF2182D, Balanced Input Matching Network



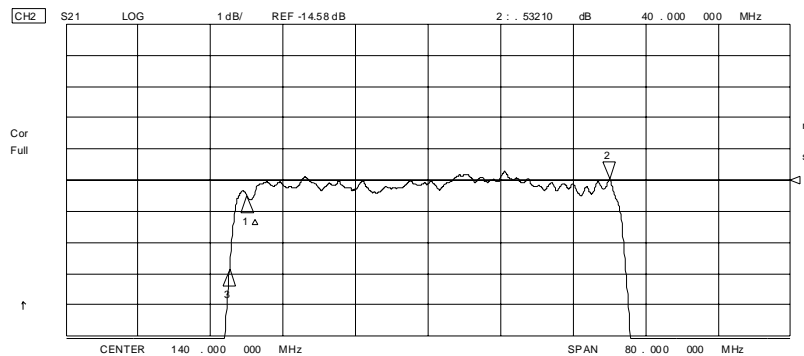
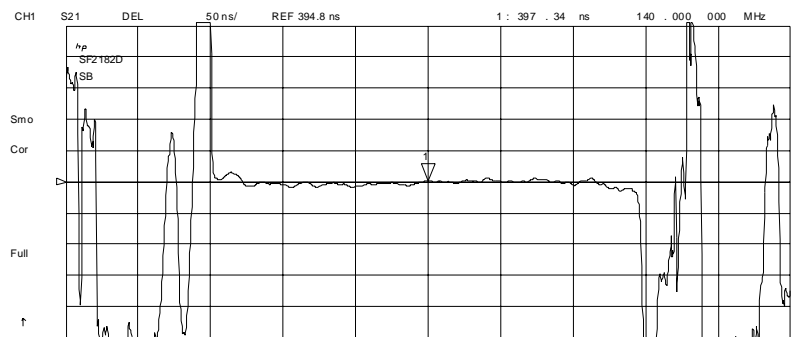
# SF2182D, Balanced Output Matching



14 Dec 2009 12:59:33



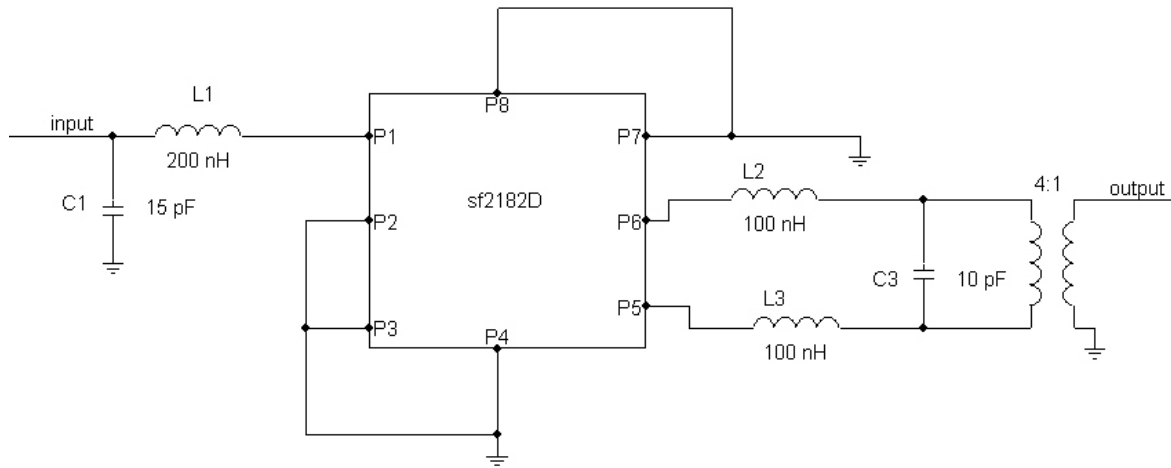
14 Dec 2009 13:16:57



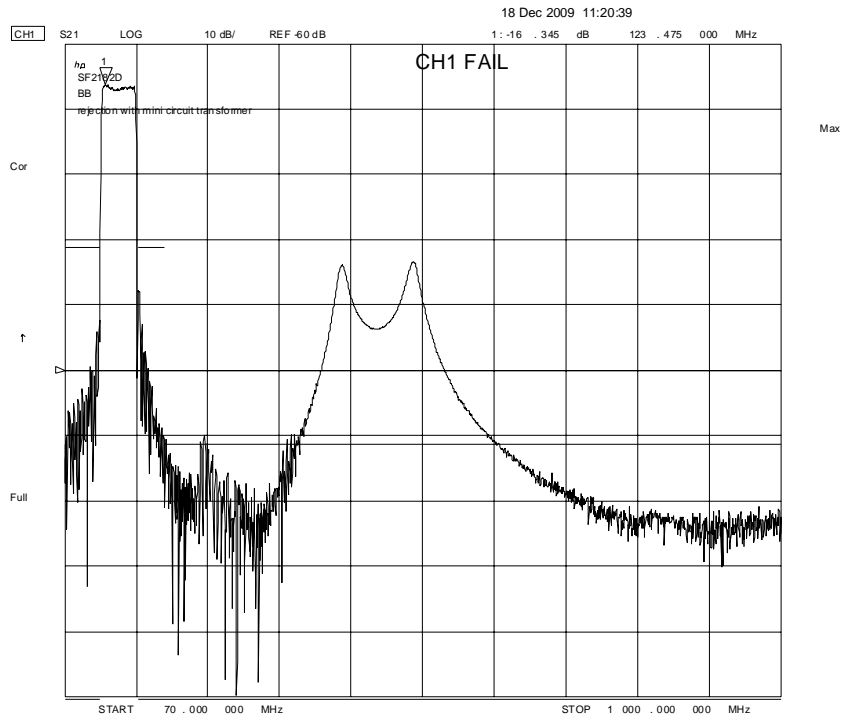
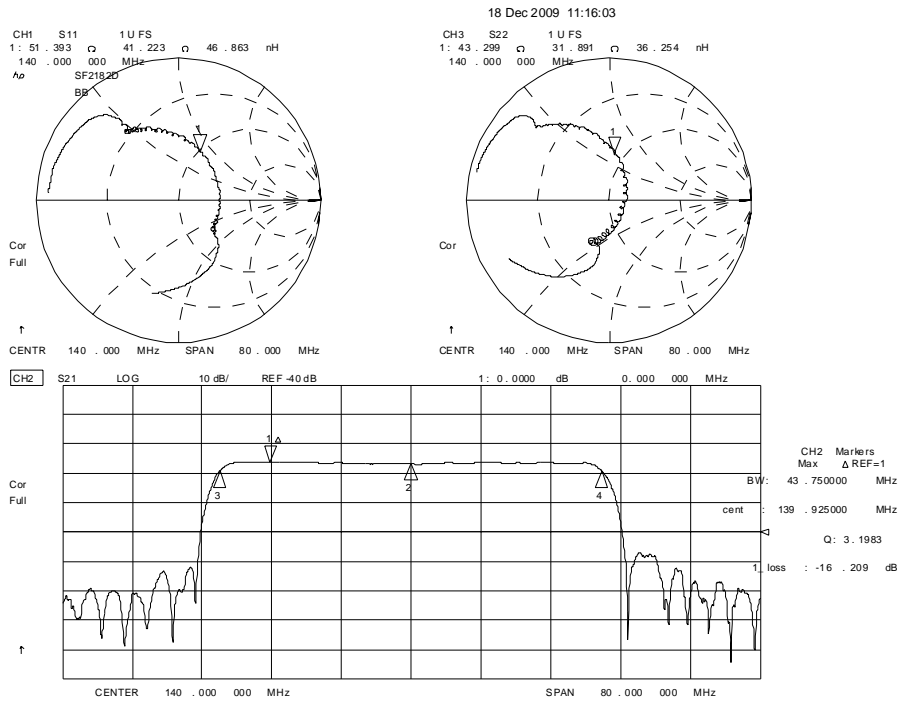


---

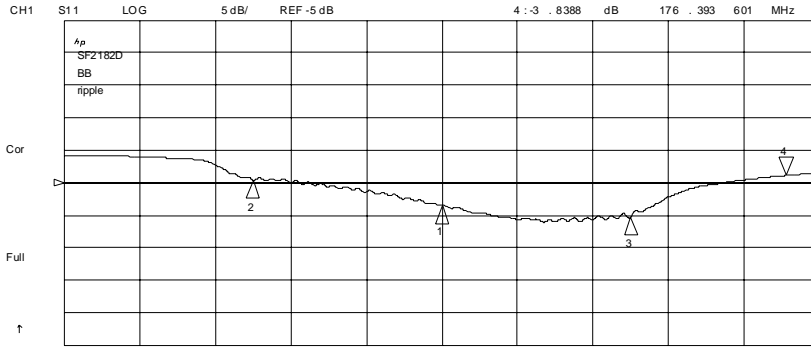
# SF2182D, Balanced Output Matching Network



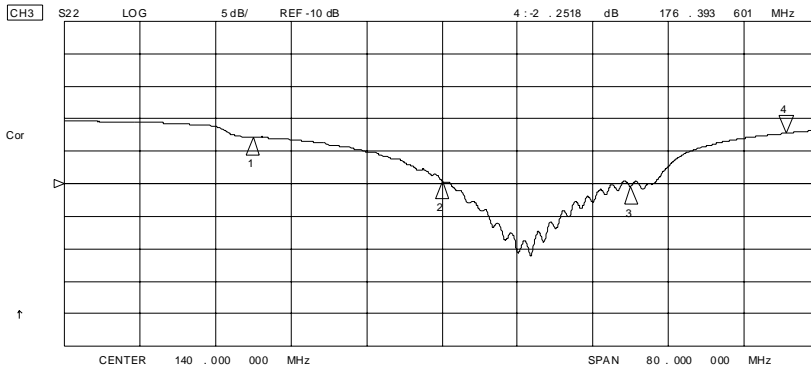
# SF2182D, Balanced Input/Output Matching



18 Dec 2009 11:17:07

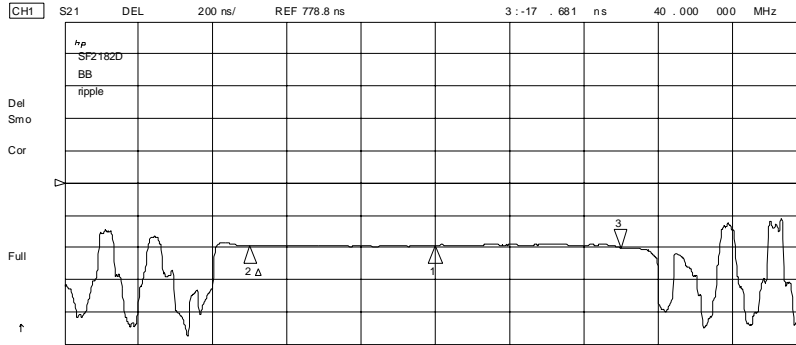


CH1 Markers  
 1: -8.4796 dB  
 140.000 MHz  
 2: -4.5697 dB  
 120.000 MHz  
 3: -10.201 dB  
 160.000 MHz

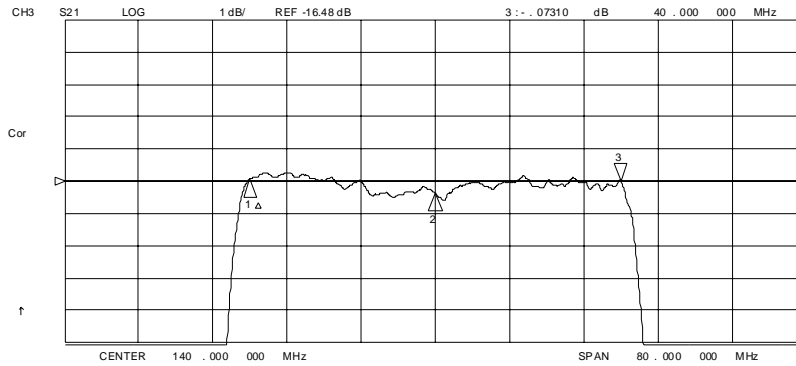


CH3 Markers  
 1: -2.8494 dB  
 120.000 MHz  
 2: -9.6174 dB  
 140.000 MHz  
 3: -10.349 dB  
 160.000 MHz

18 Dec 2009 11:19:05



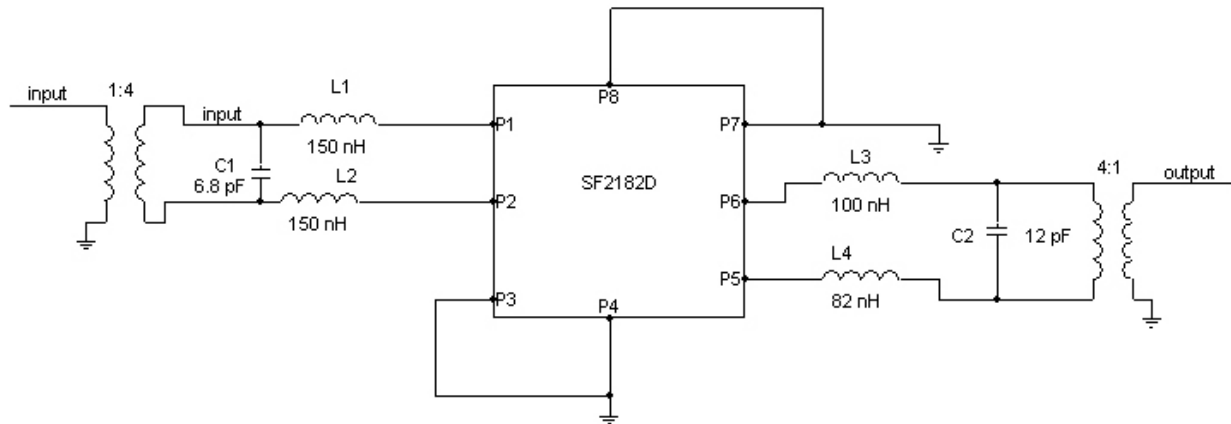
CH1 Markers  
 $\Delta$  REF=2  
 mean : 392.85 ns  
 s. dev : 3.5980 ns  
 p-p : 23.270 ns



CH3 Markers  
 $\Delta$  REF=1  
 mean : -16.584 dB  
 s. dev : .19950 dB  
 p-p : .86590 dB

---

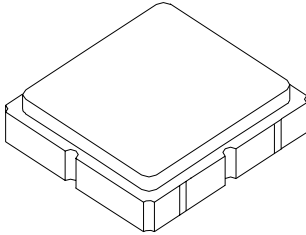
# SF2182D, Balanced Input/Output Matching Network



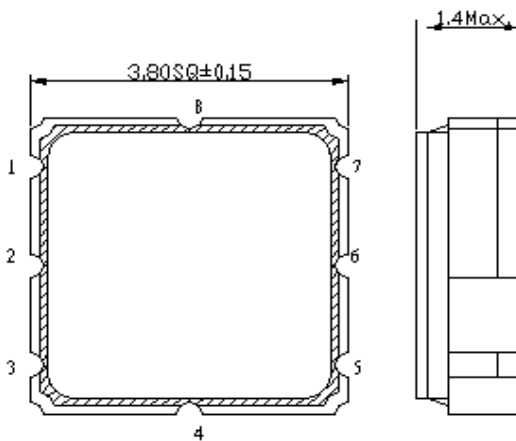
# SM3838-8 Case

## 8-Terminal Ceramic Surface-Mount Case

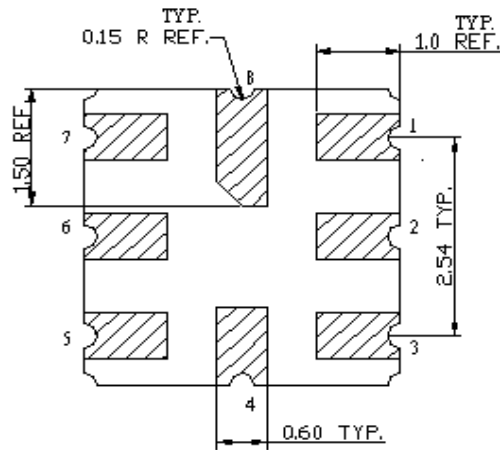
### 3.8 X 3.8 mm Nominal Footprint



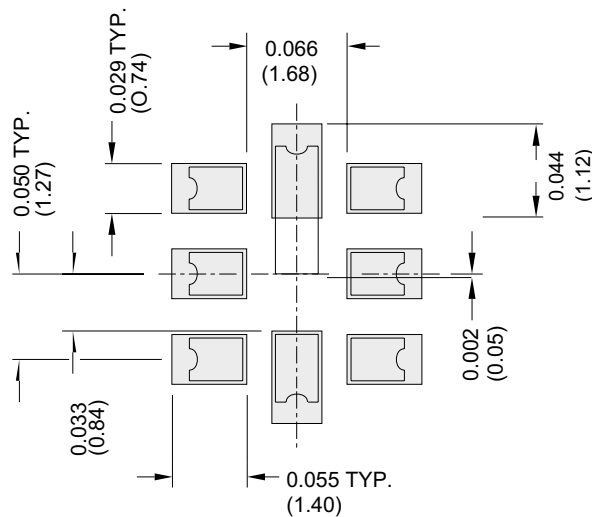
Top View



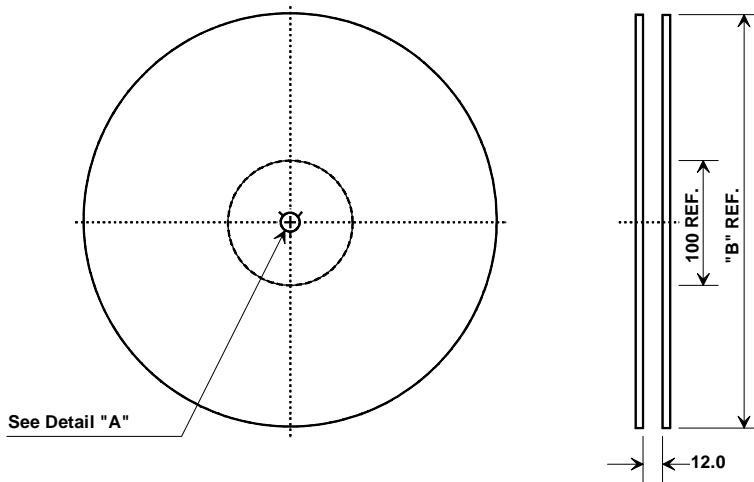
Bottom View



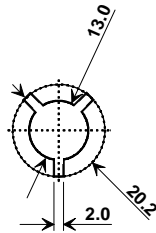
### PCB Footprint for 180 Degree Rotation Option



## Tape and Reel Specifications



"B" Nominal Size		Quantity Per Reel
Inches	millimeters	
7	178	500
13	330	1000



## COMPONENT ORIENTATION and DIMENSIONS

Carrier Tape Dimensions	
Ao	4.25 mm
Bo	4.25 mm
Ko	1.30 mm
Pitch	8.0 mm
W	12.0 mm

