

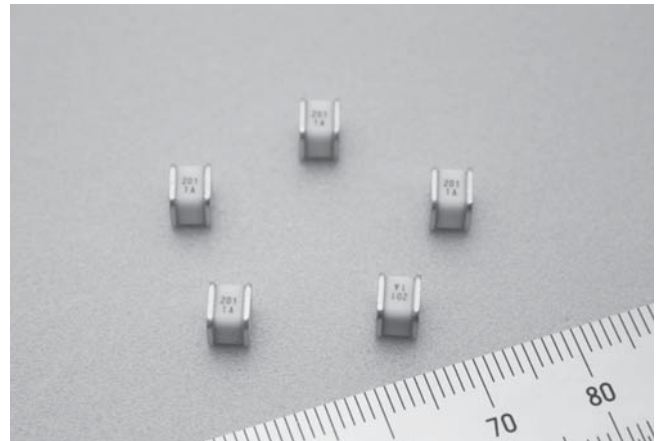


Features

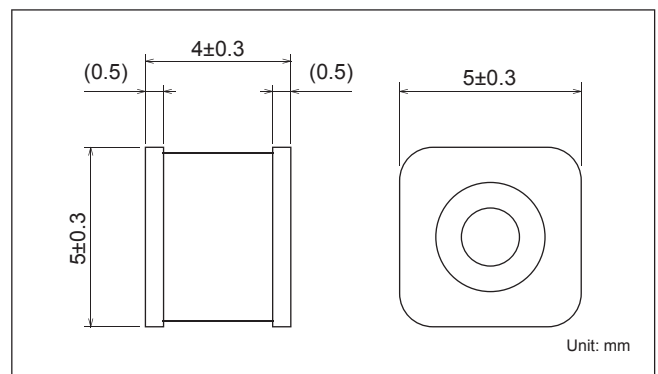
- Quick response for surge
- High impulse current capacity 8/20 μ s-5,000A
- It can withstand alternating current
- Excellent insulation resistance and small capacitance (1.0pF max.)
- Recommendation of ITU-T conformity

Applications

- Homegateway equipments
- Telephone, PBX, Wireless base station
- Optical transmission equipments
- CATV transmission equipments, BS / CS broadcasts equipments
- Fire alarm systems and Home security systems



• Dimensions

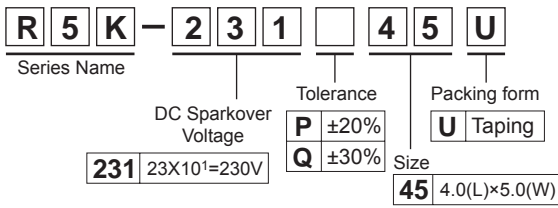


Electrical Specifications

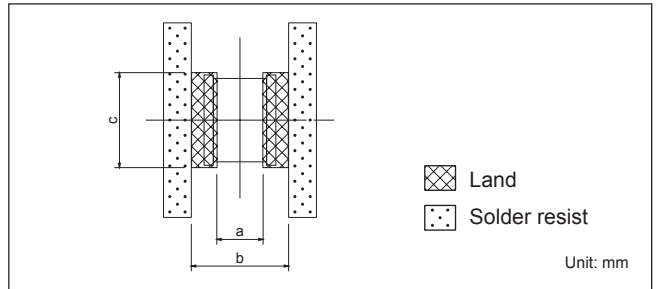
Model Number*1	DC Sparkover Voltage (V)	Insulation Resistance min. (M Ω)	Capacitance max. (pF)	Impulse Life Test	Impulse Discharge Current
R5K-900□45U	90	1,000 (DC50V)	1.0	8/20 μ s, 100A 300 times	8/20 μ s, 5,000A Positive/Negative 5 times
R5K-151□45U	150	1,000 (DC100V)			
R5K-231□45U	230				
R5K-251□45U	250				
R5K-351□45U	350				
R5K-421□45U	420				
R5K-501□45U	500				
R5K-601□45U	600				

*1 □: Tolerance $\pm 20\%$ =P, Tolerance $\pm 30\%$ =Q

● Model numbering system

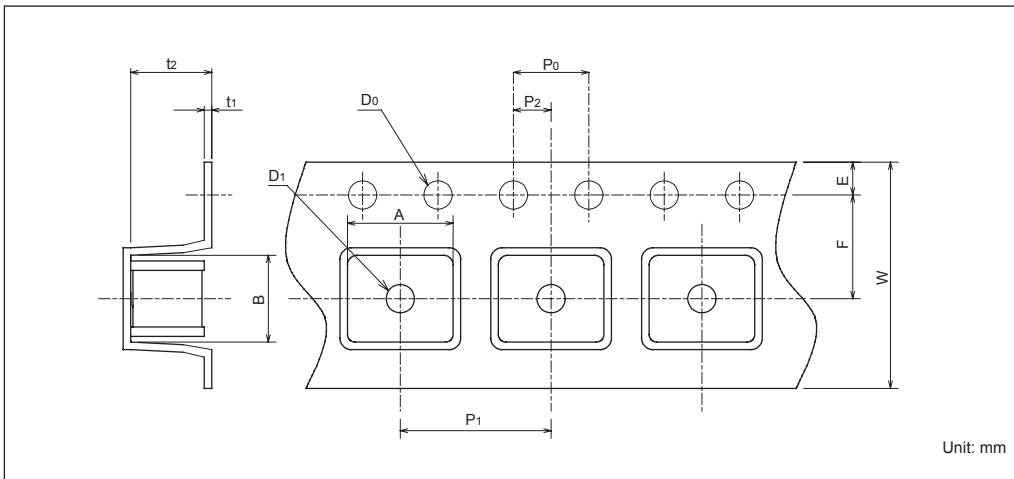


● Recommended Land Pattern



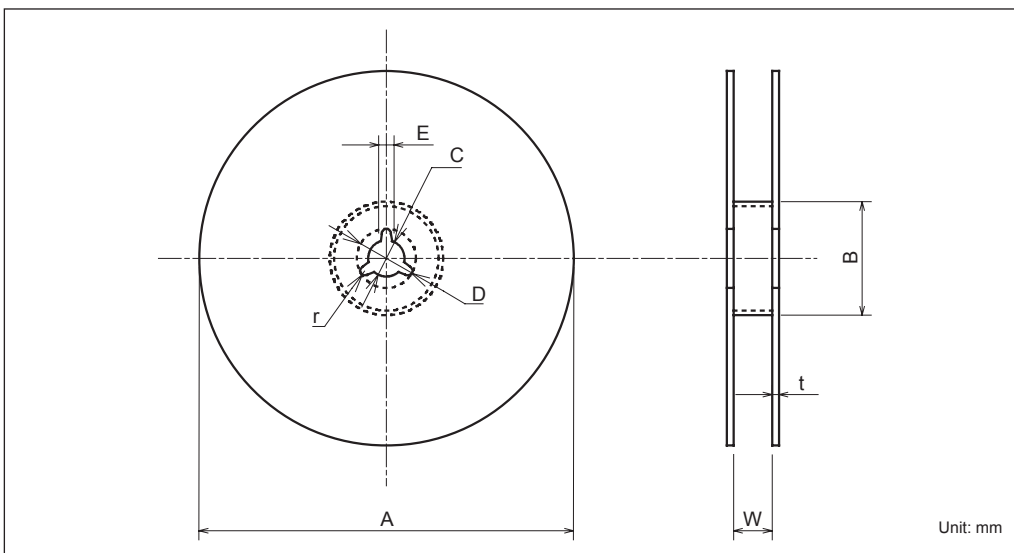
	Dimensions (mm)		
	a	b	c
Reflow Soldering	2.5	5.5	5.4

● Taping Dimensions



Dimensions (mm)	
A	5.6±0.3
B	4.6±0.3
W	12.0±0.4
F	5.5±0.2
E	1.75±0.2
P1	8.0±0.2
P2	2.0±0.2
P0	4.0±0.2
D0	φ 1.5±0.1
D1	φ 1.5 min.
t1	0.35±0.2
t2	5.35±0.2

● Reel Dimensions (2,000pcs per one reel)



Dimensions (mm)	
A	φ 380±3
B	φ 80±2
C	φ 13.0±0.5
D	φ 21±1
E	2±1
W	13.5±2.0
t	2.0±0.5
r	1.0±0.2