

Wall Industries, Inc.

PSHF60W SERIES

85~264VAC (120~370VDC) Input Voltage Range
60 Watts Output Power
5, 12, 15, 24, & 48VDC Single Outputs
AC/DC Switching Power Supplies



FEATURES

- RoHS Compliant
- $\pm 10\%$ Voltage Adjustment Range
- Free Air Convection
- 85~264VAC (120~370VDC) Input Voltage Range
- High Reliability
- Single Outputs
- 6.30" x 3.86" x 1.54" Enclosed Case
- 60W Output Power
- 100% Full Load Burn-in Tested
- Short Circuit, Over Load, Over Voltage Protection
- UL60950, GB4943, and EN60950 Safety Approvals

DESCRIPTION

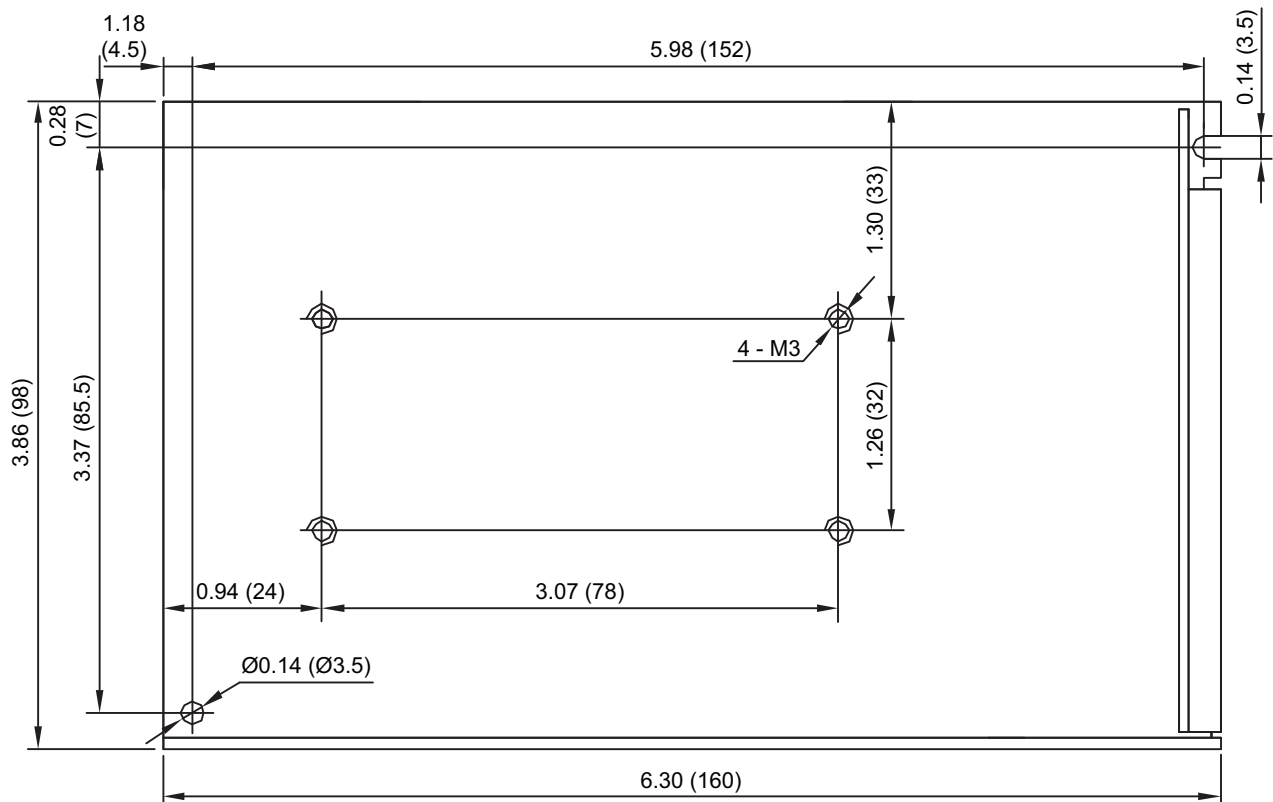
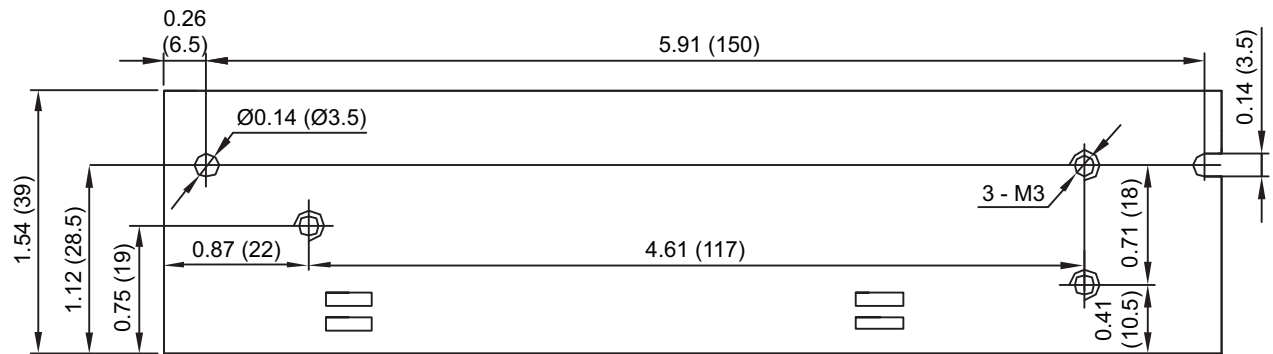
The PSHF60W series of AC/DC power supplies offers 60W of output power in a 6.30" x 3.86" x 1.54" enclosed case. This series consists of 5, 12, 15, 24, and 48VDC single output models with a universal input voltage range of 85~264VAC (120~370VDC). These supplies have a $\pm 10\%$ output adjustment range and are protected against short circuit, over load, and over voltage conditions. This series is RoHS compliant and has UL60950, GB4943, and EN60950 safety approvals.

SPECIFICATIONS: PSHF60W Series						
All specifications are based on 25°C, Nominal Input Voltage, and Maximum Output Current unless otherwise noted. We reserve the right to change specifications based on technological advances.						
SPECIFICATION	TEST CONDITIONS		Min	Nom	Max	Unit
INPUT SPECIFICATIONS						
Input Voltage Range	AC input voltage range		85		264	VAC
	DC input voltage range		120		370	VDC
Inrush Current	At 115VAC	Cold start		20		A
	At 230VAC			40		
Input Frequency			47		63	Hz
OUTPUT SPECIFICATIONS						
Output Voltage			See Table			
Output Voltage Adjustment Range			-10		+10	%
Line Regulation	Full load		-0.5		+0.5	%
Load Regulation				0.5		%
Output Current			See Table			
Output Power			See Table			
Ripple & Noise			See Table			
Rise Time	Full load			50		ms
Hold-up Time	Full load			20		ms
PROTECTION						
Over Load Protection			110		150	%
Over Voltage Protection			115		150	%
Short Circuit Protection			Yes			
GENERAL SPECIFICATIONS						
Efficiency			See Table			
Withstand Voltage	Input to Output	All for 1 minute	3000			VAC
	Input to FG		1500			
	Output to FG		500			
Leakage Current	At 230VAC				0.7	mA
ENVIRONMENTAL SPECIFICATIONS						
Operating Temperature			-10		+50	°C
Operating Humidity	non-condensing		20		93	% RH
Storage Temperature			-20		+85	°C
Storage Humidity	non-condensing		20		95	% RH
Cooling Method			Free air convection			
PHYSICAL SPECIFICATIONS						
Weight			1.1 lbs (490g)			
Dimensions (L x W x H)			6.30 x 3.86 x 1.54 inches (160 x 98 x 39 mm)			
SAFETY & EMC CHARACTERISTICS						
Safety Standards			UL60950, EN60950, GB4943			
EMC Standards			GB9254, EN55022 Class B, EN55024, EN61000-3-2,3, EN61000-4-2,3,4,5,6,8,11			

MODEL SELECTION TABLE						
Model Number	Input Voltage Range	Output Voltage	Output Current	Ripple & Noise	Output Power	Efficiency
PSHF60W-SL-5	85 ~ 264 VAC or 120 ~370 VDC	5 VDC	12.0A	80mVp-p	60W	73%
PSHF60W-SL-12		12 VDC	5.0A	100mVp-p	60W	76%
PSHF60W-SL-15		15 VDC	4.0A	120mVp-p	60W	77%
PSHF60W-SL-24		24 VDC	2.5A	150mVp-p	60W	80%
PSHF60W-SL-48		48 VDC	1.3A	150mVp-p	62.4W	81%

MECHANICAL DRAWING

Unit: inches (mm)



COMPANY INFORMATION

Wall Industries, Inc. has created custom and modified units for over 50 years. Our in-house research and development engineers will provide a solution that exceeds your performance requirements on-time and on budget. Our ISO9001-2008 certification is just one example of our commitment to producing a high quality, well-documented product for our customers.

Our past projects demonstrate our commitment to you, our customer. Wall Industries, Inc. has a reputation for working closely with its customers to ensure each solution meets or exceeds form, fit and function requirements. We will continue to provide ongoing support for your project above and beyond the design and production phases. Give us a call today to discuss your future projects.

Contact **Wall Industries** for further information:

<u>Phone:</u>	☎ (603)778-2300
<u>Toll Free:</u>	☎ (888)597-9255
<u>Fax:</u>	☎ (603)778-9797
<u>E-mail:</u>	sales@wallindustries.com
<u>Web:</u>	www.wallindustries.com
<u>Address:</u>	5 Watson Brook Rd. Exeter, NH 03833