



DCR

Radial Leaded Super Capacitors



FEATURES

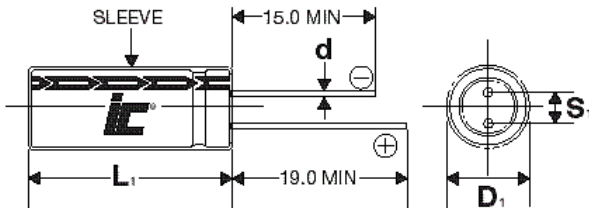
Very fast charge/discharge – High power density – IEC 62391 compliant –
Circuit board mountable

APPLICATIONS

Battery backup/ alternative – Pulse power – Energy harvesting – LED Displays –
Mechanical actuators – Audio systems

Operating Temperature Range		-25°C to +60°C	
Storage Temperature		-40°C to +60°C	
Capacitance Tolerance		+50%/-20% @ 20°C	
Surge voltage	WVDC	2.3	
	SVDC	2.5	
Maximum Current		See standard part listing	1 second discharge to ½ WVDC
Leakage Current		See standard part listing	72 hours, 25°C
1000 hours at rated voltage and 60°C			
Life time		Capacitance change	<30% of initially measured values
		ESR	<400% of initially measured values
20,000 cycles			
Life cycles (25°C) 1 cycle= Charge to WVDC for 20s, constant voltage charging for 10s, discharge to ½ WVDC for 20s, rest for 10 s		Capacitance change	<30% of initially measured values
		ESR	<400% of initially measured values

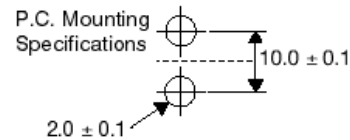
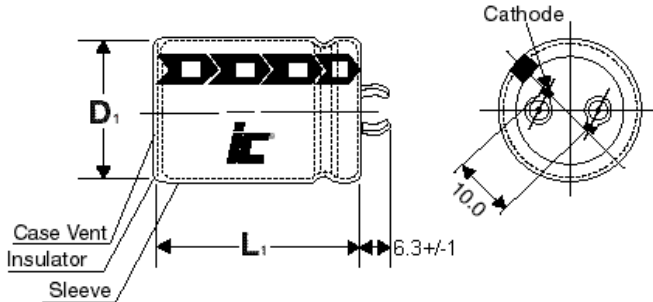
Diameters: ≤18 mm



	10	16	18
D	10	16	18
S	5.0	7.5	7.5
d	0.6	0.8	0.8

$L_1 = L + 1.5\text{mm}$
 $D_1 = D + 0.5\text{mm}$
 $S_1 = S + 0.5\text{mm}$

Diameters: ≥22mm



$L_1 = L + 2.0\text{mm}$
 $D_1 = D + 1.0\text{mm}$



Your Global Source for World-Class Capacitors

© 2013 Illinois Capacitor, Inc.

North America
 Tel: 847.675.1760
 sales@illcap.com

Asia
 Tel: 852.2793 0931
 sales@illcap.com.hk

DCR

Radial lead, high energy

Capacitance (F)	WVDC	IC PART NUMBER	MAX Current (A)	ESR AC 1 kHz (mA)	Max stored energy (mWh)	LC (μ A)	Specific Energy Gravimetric Density (mWh/kg)	Specific Energy Volumetric Density (mWh/l)	Specific Energy Gravimetric Density (mWh/kg)	Specific Energy Volumetric Density (mWh/l)	Weight (grams)	Volume (mL)	Dims DxL (mm)	Lead Spacing (mm)
10.0	2.3	106DCR2R3SGU	11.5	220	0.0073	5	3.6736	4.6774	0.794	1.0103	2	1.5708	10x20	5
22.0	2.3	226DCR2R3STU	25.3	120	0.0162	11	4.6852	6.5858	1.082	1.5214	3.45	2.4544	12.5x20	5
30.0	2.3	306DCR2R3STV	34.5	100	0.022	15	5.8004	7.1845	1.044	1.2932	3.8	3.068	12.5x25	5
50.0	2.3	506DCR2R3SKV	57.5	60	0.0367	25	5.248	7.3084	0.907	1.2629	7	5.0265	16x25	7.5
70.0	2.3	706DCR2R3SKY	80.5	50	0.0514	35	6.1593	7.3084	0.894	1.0613	8.35	7.0372	16x35	7.5
120.0	2.3	127DCR2R3SLZ	138	35	0.0882	60	6.6291	8.6618	0.734	0.9595	13.3	10.179	18x40	7.5
220.0	2.3	227DCR2R3SNI	253	25	0.1616	110	6.4398	9.0472	0.562	0.7896	25.1	17.866	22x47	10
400.0	2.3	407DCR2R3SVT	460	20	0.2939	200	4.432	9.2393	0.383	0.7983	66.31	31.809	30x45	10
600.0	2.3	607DCR2R3SVB	690	15	0.4408	300	6.5649	10.394	0.473	0.7484	67.15	42.412	30x30	10