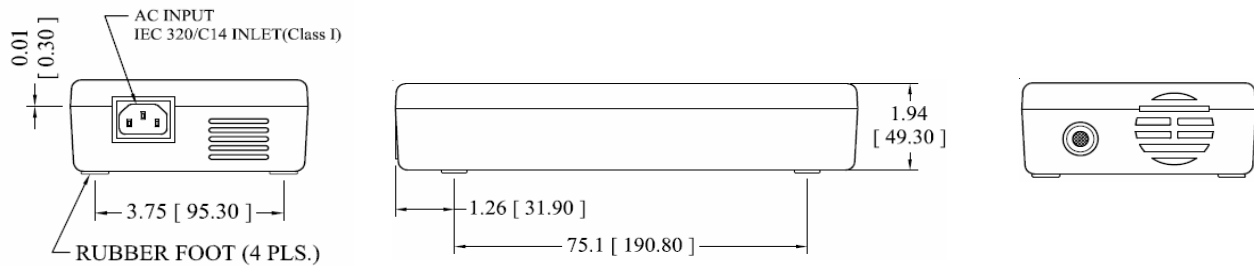
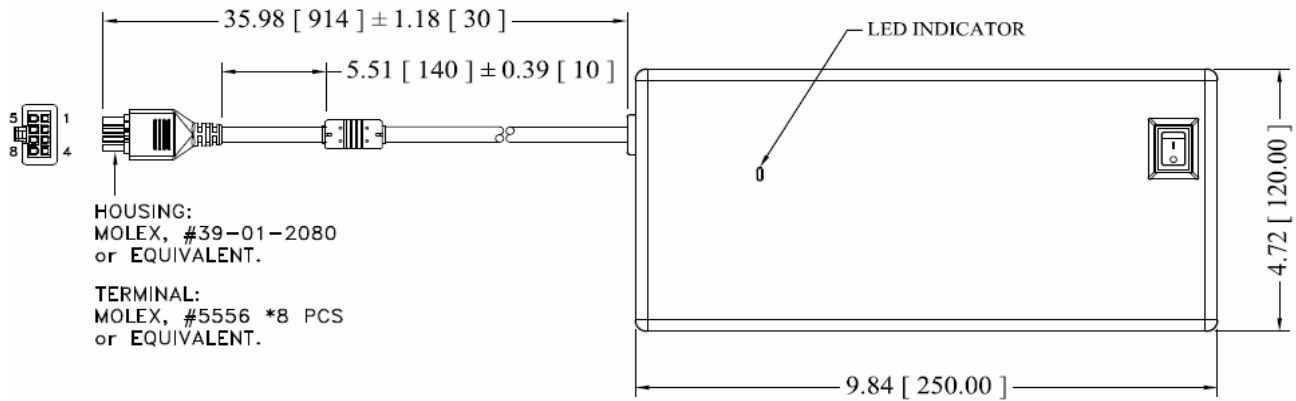




### MECHANICAL SPECIFICATIONS



Unit: inch [mm]  
Tolerance: 0.02 [0.5] maximum

DC OUTPUT CONNECTOR	
PIN	FUNCTION
1	+V
2	
3	
4	
5	RETURN
6	
7	
8	

**Notes:**

1. Standard output connector: Molex Mini-Fit receptacle, P/N 39-01-2080 with female terminal #5556 or equivalent.
2. Mating connector: Molex plug 39-01-2086 and male terminal #5558, #5566, #5599 or equivalent.
3. Contact TRUMPower for output connector options.
4. Weight: 1.5kg (3.28 lbs) approx.