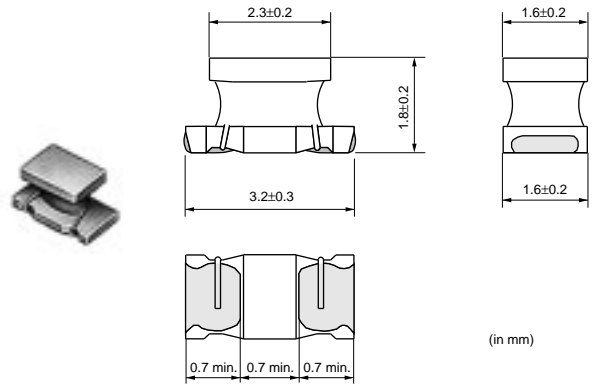


LQW31H Series

LQW31H series is alumina-core-type chip inductor for high frequency circuit. Its low dc resistance and high Q due to wound structure are suitable for hand telecommunication equipment.

■ Features

1. Inductance range from 8.8 to 100nH
2. Because of the high self resonant frequency, it can be used in high frequency range.
3. Tight inductance tolerance (+-5%)



4

Part Number	Inductance (nH)	Test Frequency (MHz)	Rated Current (mA)	DC Resistance (ohm)	Q (min.)	Test Frequency (MHz)	Self Resonance Frequency (min.) (MHz)	EIA
LQW31HN8N8J03	8.8 ±5%	100	750	0.029 ±40%	50	436	1000	1206
LQW31HN8N8K03	8.8 ±10%	100	750	0.029 ±40%	50	436	1000	1206
LQW31HN15NJ03	14.7 ±5%	100	680	0.035 ±40%	60	436	1000	1206
LQW31HN15NK03	14.7 ±10%	100	680	0.035 ±40%	60	436	1000	1206
LQW31HN17NJ03	17 ±5%	100	650	0.037 ±40%	60	436	1000	1206
LQW31HN17NK03	17 ±10%	100	650	0.037 ±40%	60	436	1000	1206
LQW31HN23NJ03	23 ±5%	100	590	0.046 ±40%	60	436	1000	1206
LQW31HN23NK03	23 ±10%	100	590	0.046 ±40%	60	436	1000	1206
LQW31HN27NJ03	27 ±5%	100	560	0.051 ±40%	60	436	1000	1206
LQW31HN27NK03	27 ±10%	100	560	0.051 ±40%	60	436	1000	1206
LQW31HN33NJ03	33 ±5%	100	530	0.057 ±40%	60	436	1000	1206
LQW31HN33NK03	33 ±10%	100	530	0.057 ±40%	60	436	1000	1206
LQW31HN39NJ03	39 ±5%	100	490	0.067 ±40%	60	436	1000	1206
LQW31HN39NK03	39 ±10%	100	490	0.067 ±40%	60	436	1000	1206
LQW31HN47NJ03	47 ±5%	100	380	0.11 ±40%	60	436	1000	1206
LQW31HN47NK03	47 ±10%	100	380	0.11 ±40%	60	436	1000	1206
LQW31HN56NJ03	56 ±5%	100	330	0.14 ±40%	60	436	1000	1206
LQW31HN56NK03	56 ±10%	100	330	0.14 ±40%	60	436	1000	1206
LQW31HN64NJ03	64 ±5%	100	290	0.18 ±40%	60	436	1000	1206
LQW31HN64NK03	64 ±10%	100	290	0.18 ±40%	60	436	1000	1206
LQW31HN84NJ03	84 ±5%	100	240	0.28 ±40%	60	436	1000	1206
LQW31HN84NK03	84 ±10%	100	240	0.28 ±40%	60	436	1000	1206
LQW31HNR10J03	100 ±5%	100	230	0.3 ±40%	60	436	900	1206
LQW31HNR10K03	100 ±10%	100	230	0.3 ±40%	60	436	900	1206

Operating Temp. Range : -25°C to +85°C

■ Q-Frequency Characteristics

