



AsahiKASEI
ASAHI KASEI MICRODEVICES

AK1545

3.5GHz Low Noise Integer-N Frequency Synthesizer

1. Overview

The AK1545 is an Integer-N PLL (Phase Locked Loop) frequency synthesizer, covering a wide range of frequency from 500MHz to 3.5GHz. Consisting of a highly accurate charge pump, a reference divider, a programmable divider and a dual-modulus prescaler (P/P+1), this product provides high performance, very low Phase Noise. An ideal PLL can be achieved by combining the AK1545 with the external loop filter and VCO (Voltage Controlled Oscillator). Access to the registers is controlled via a 3-wire serial interface. The operating supply voltage is from 2.7V to 5.5V, and the charge pump circuit and the serial interface can be driven by individual supply voltage.

2. Features

- | | | |
|--------------------------|---|---|
| <input type="checkbox"/> | Operating frequency : | 500MHz to 3.5GHz |
| <input type="checkbox"/> | Programmable charge pump current : | 250 μ A and 1mA |
| <input type="checkbox"/> | Fast lock mode : | The charge pump current is switched by this function. |
| <input type="checkbox"/> | Supply Voltage : | 2.7 to 5.5 V (AVDD, DVDD pins) |
| <input type="checkbox"/> | Separate Charge Pump Power Supply : | AVDD to 5.6V (CPVDD pin) |
| <input type="checkbox"/> | Excellent Phase Noise : | -217dBc/Hz |
| <input type="checkbox"/> | On-chip lock detection feature of PLL : | Selectable Phase Frequency Detector (PFD) Output or
Digital filtered lock detect |
| <input type="checkbox"/> | Package : | 16pin TSSOP |
| <input type="checkbox"/> | Operating temperature : | -40°C to 85°C |



- Table of Contents -

1.	Overview _____	1
2.	Features _____	1
3.	Block Diagram _____	3
4.	Pin Functional Description and Assignments _____	4
5.	Absolute Maximum Ratings _____	6
6.	Recommended Operating Range _____	6
7.	Electrical Characteristics _____	7
8.	Block Functional Descriptions _____	11
9.	Register Map _____	19
10.	Function Description - Registers _____	21
11.	IC Interface Schematic _____	29
12.	Recommended Connection Schematic of Off-Chip Component _____	31
13.	Power-Up Timing Chart (Recommended Flow) _____	33
14.	Frequency Setting Timing Chart (Recommended Flow) _____	34
15.	Typical Evaluation Board Schematic _____	35
16.	Typical Performance Characteristics _____	36
17.	Outer Dimensions _____	37
18.	Marking _____	38

In this specification, the following notations are used for specific signal and register names.

[Name] : Pin name

<Name> : Register group name (Address name)

{Name} : Register bit name



3. Block Diagram

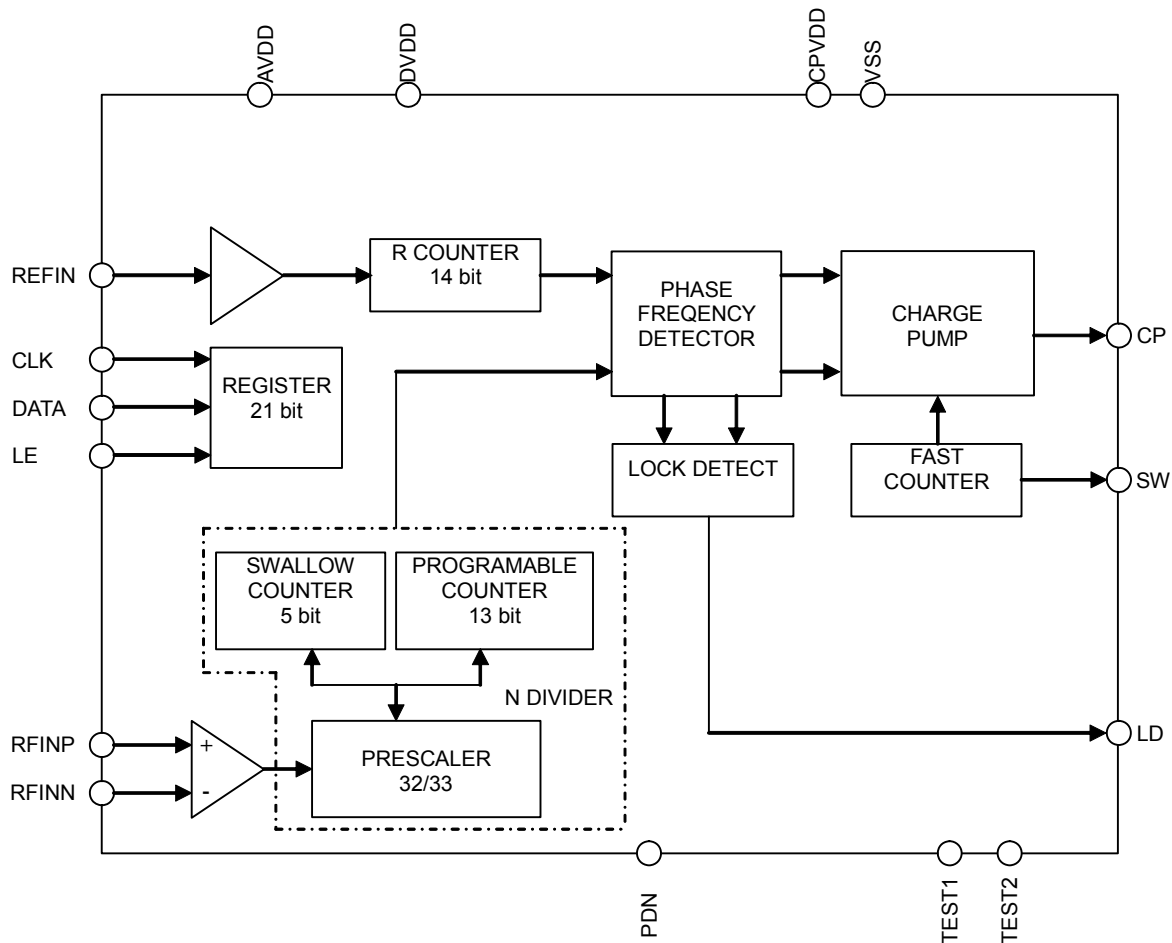


Fig. 1 Block Diagram



4. Pin Functional Description and Assignments

Table 1 Pin Functions

No.	Name	I/O	Pin Functions	Power Down (Note 1)	Remarks
1	SW	DO	Fast lock switch output		
2	CP	AO	Charge pump output	"Hi-Z"	
3	VSS	G	Ground		
4	TEST1	DI	TEST input 1. This pin must be connected to ground.		Schmidt trigger input
5	RFINN	AI	Complementary input to the RF Prescaler		
6	RFINP	AI	Input to the RF Prescaler		
7	AVDD	P	Power supply for analog blocks		
8	REFIN	AI	Reference signal input		
9	TEST2	DI	TEST input 2. This pin must be connected to ground.		Schmidt trigger input
10	PDN	DI	Power down		Schmidt trigger input
11	CLK	DI	Serial clock input		Schmidt trigger input
12	DATA	DI	Serial data input		Schmidt trigger input
13	LE	DI	Load enable input		Schmidt trigger input
14	LD	DO	Lock detect output		
15	DVDD	P	Power supply for digital blocks		
16	CPVDD	P	Power supply for charge pump		

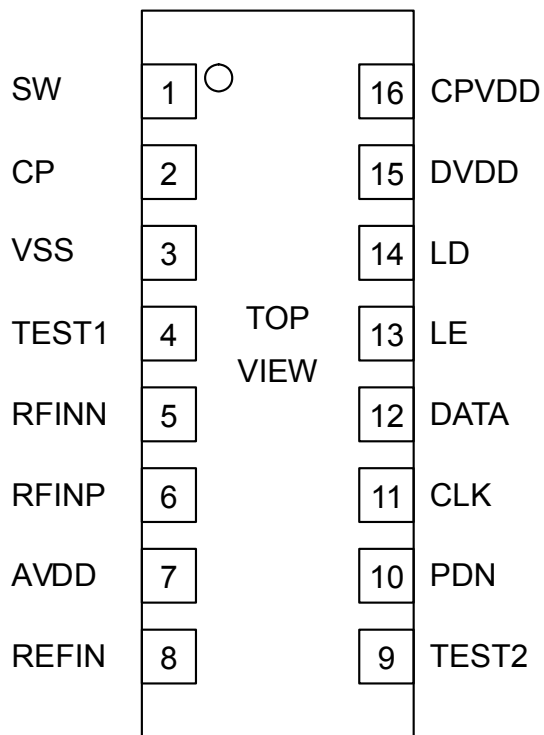
Note 1) "Power Down" means the state of [PDN] ="Low" after power on.

The following table shows the meaning of abbreviations used in the "I/O" column.

AI: Analog input pin	AO: Analog output pin	AIO: Analog I/O pin	DI: Digital input pin
DO: Digital output pin	P: Power supply pin	G: Ground pin	



2. Pin Assignments



16pin TSSOP

Fig. 2 Pin Assignment



5. Absolute Maximum Ratings

Table 2 Absolute Maximum Ratings

Parameter	Symbol	Min.	Max.	Unit	Remarks
Supply Voltage	VDD1	-0.3	6.5	V	[AVDD], [DVDD] (Note 1)
	VDD2	-0.3	6.5	V	[CPVDD] (Note 1)
Ground Level	VSS	0	0	V	[VSS]
Analog Input Voltage	VAIN	VSS-0.3	VDD1+0.3	V	[RFINN], [RFINP], [REFIN] (Notes 1 & 2)
Digital Input Voltage	VDIN	VSS-0.3	VDD1+0.3	V	[CLK], [DATA], [LE], [PDN] (Notes 1 & 2)
Input Current	IIN	-10	10	mA	
Storage Temperature	Tstg	-55	125	°C	

Note 1) 0V reference for all voltages.

Note 2) Maximum must not be over 6.5V.

Exceeding these maximum ratings may result in damage to the AK1545. Normal operation is not guaranteed at these extremes.

6. Recommended Operating Range

Table 3 Recommended Operating Range

Parameter	Symbol	Min.	Typ.	Max.	Unit	Remarks
Operating Temperature	Ta	-40		85	°C	
Supply Voltage	VDD1	2.7		5.5	V	Applied to the [AVDD],[DVDD] pins
	VDD2	VDD1		5.6	V	Applied to the [CPVDD] pin

Note 1) VDD1 and VDD2 can be driven individually within the Recommended Operating Range.

Note 2) All specifications are applicable within the Recommended Operating Range (operating temperature / supply voltage).

7. Electrical Characteristics

1. Digital DC Characteristics

Table 4 Digital DC Characteristics

Parameter	Symbol	Conditions	Min.	Typ.	Max.	Unit	Remarks
High level input voltage	Vih		0.8×VDD1			V	Note 1)
Low level input voltage	Vil				0.2×VDD1	V	Note 1)
High level input current	Iih	Vih = VDD1=5.5V	-1		1	μA	Note 1)
Low level input current	Iil	Vil = 0V, VDD1=5.5V	-1		1	μA	Note 1)
High level output voltage	Voh	Ioh = -500μA	VDD1-0.4			V	Note 2)
Low level output voltage	Vol	Iol = 500μA			0.4	V	Note 3)
High level output voltage2	Voh	Ioh = -500μA	VDD2-0.4			V	Note 4)

Note 1) Applied to the [CLK], [DATA], [LE] and [PDN] pins.

Note 2) Applied to the [LD] pins.

Note 3) Applied to the [LD],[SW] pins.

Note 4) Applied to the [SW] pins.



2. Serial Interface Timing

<Write-In Timing>

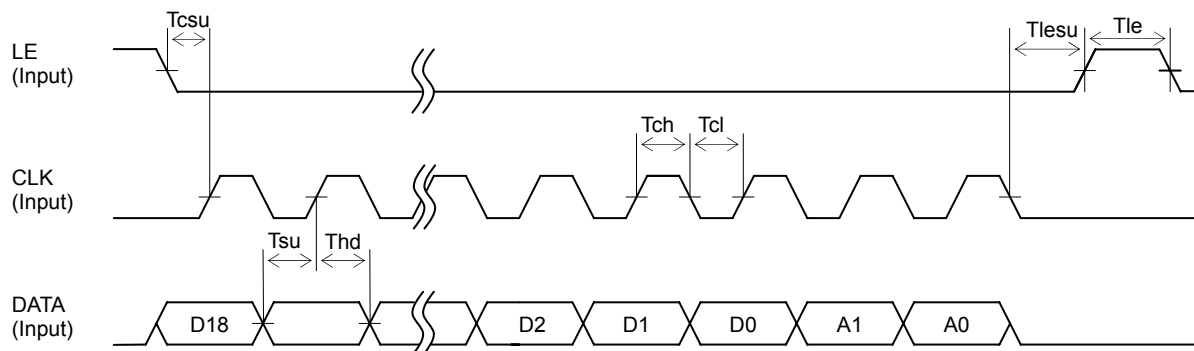


Fig. 3 Serial Interface Timing Chart

Table 5 Serial Interface Timing

Parameter	Symbol	Min.	Typ.	Max.	Unit	Remarks
Clock L level hold time	Tcl	25			ns	
Clock H level hold time	Tch	25			ns	
Clock setup time	Tcsu	10			ns	
Data setup time	Tsu	10			ns	
Data hold time	Thd	10			ns	
LE setup time	Tlesu	10			ns	
LE pulse width	Tle	20			ns	



3. Analog Circuit Characteristics

VDD1=2.7V to 5.5V, VDD2=VDD1 to 5.6V, $-40^{\circ}\text{C} \leq T_a \leq 85^{\circ}\text{C}$, unless otherwise specified.

Parameter	Min.	Typ.	Max.	Unit	Remarks
RF Characteristics					
Input Sensitivity	-10		2	dBm	
Input Frequency	500		3500	MHz	
REFIN Characteristics					
Input Sensitivity	0.4		VDD1	Vpp	
Input Frequency	5		100	MHz	
Maximum Allowable Prescaler Output Frequency			120	MHz	
Phase Detector					
Phase Detector Frequency			55	MHz	
Charge Pump					
Charge Pump High Value		1		mA	
Charge Pump Low Value		250		μA	
Icp TRI-STATE Leak Current		1		nA	$0.6 \leq V_{cpo} \leq V_{DD2} - 0.7$, $T_a = 25^{\circ}\text{C}$
Mismatch between Source and Sink Currents (Note 1)		3		%	$V_{cpo} = V_{DD2}/2$, $T_a = 25^{\circ}\text{C}$
Icp vs. Vcpo (Note 2)		2		%	$0.5 \leq V_{cpo} \leq V_{DD2} - 0.5$, $T_a = 25^{\circ}\text{C}$
Noise Characteristic					
Normalized Phase Noise Floor		-217		dBc/Hz	
Current Consumption					
IDD1			10	μA	[PDN]="0" or {PD1}=1
IDD2 (Note3, Note4)		12	18	mA	[PDN]="1", {PD1}=0, IDD for VDD1
IDD3 (Note4)		0.4	0.7	mA	[PDN]="1", {PD1}=0, IDD for VDD2

Note 1) Mismatch between Source and Sink Currents : $\frac{(|I_{sink}| - |I_{source}|)}{(|I_{sink}| + |I_{source}|)/2} \times 100$ [%]

Note 2) See "Charge Pump Characteristics - Voltage vs. Current". Vcpo is the output voltage at [CP].

$$I_{cp} \text{ vs. } V_{cpo} : \frac{[1/2 \times (|I_1| - |I_2|)]}{[1/2 \times (|I_1| + |I_2|)]} \times 100$$
 [%]

Note 3) When [PDN] = "1" and {PD1}=0, the total power supply current of the AK1545 is "IDD2+IDD3+ Charge pump current".

Note 4) RFIN=3.5GHz,5dBm, REFIN=100MHz,10dBm, {R}=100,{B}=109,{A}=12

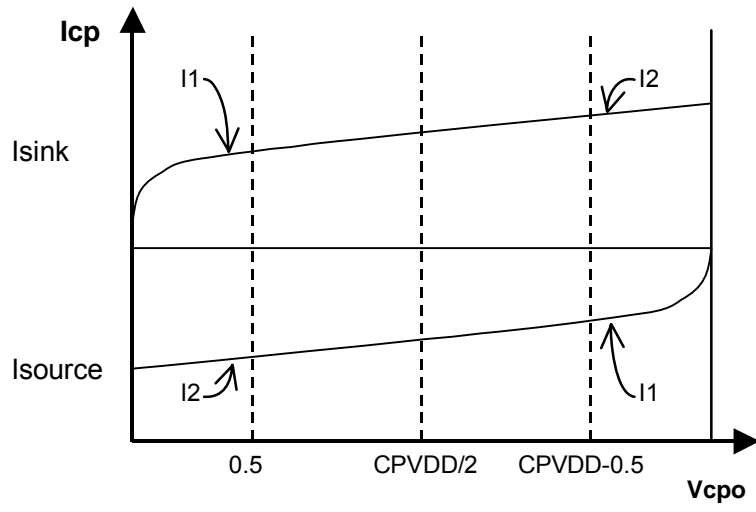


Fig. 4 Charge Pump Characteristics - Voltage (V_{cpo}) vs. Current (I_{cp})



8. Block Functional Descriptions

1. Frequency Setup

The following formula is used to calculate the frequency setting for the AK1545.

Frequency setting (external VCO output frequency) = $F_{PFD} \times N$

Where :

N : Dividing number $N = [(P \times B) + A]$
 F_{PFD} : Phase detector frequency $F_{PFD} = [\text{REFIN}]$ pin input frequency / R counter dividing number
 P : 32
 B : B (Programmable) counter value (See <Address1>:{B[12:0]})
 A : A (Swallow) counter value (See <Address1>:{A[4:0]})

Calculation example

The output frequency of external reference frequency oscillator is 10MHz, and F_{PFD} is 1MHz and VCO frequency is 3000MHz.

AK1545 setting :

R (Reference counter) = $10000000/1000000 = 10$ (<Address0>:{R[13:0]}= "10")

P=32

B=93 (<Address1>:{B[12:0]}="93")

A=24 (<Address1>:{A[4:0]}="24")

Frequency setting = $1M \times [(32 \times 93) + 24] = 3000\text{MHz}$

Lower limit for setting consecutive dividing numbers

In the AK1545, it is not possible to set consecutive dividing numbers below the lower limit.

(The lower limit is determined by a dividing number set for the prescaler.)

The following table shows an example where consecutive dividing numbers below the lower limit cannot be set. The consecutive dividing numbers can be set when $B \geq P-1$.


P=32 (Dual modulus prescaler 32/33)

P	B[12:0]	A[5:0]	N [(P×B) + A]	Remarks
32	30	30	990	991 cannot be set as an N divider.
32	31	0	992	This is the lower limit. 992 or over can consecutively be set as an N divider.
32	31	1	993	
.	.	.	.	
32	4097	15	131119	
.	.	.	.	
32	8191	30	262142	
32	8191	31	262143	



2. Charge Pump, Loop Filter and Fast Lock Up Mode

The current setting of charge pump and loop filter can switch with the built-in timer for Fast Lock.

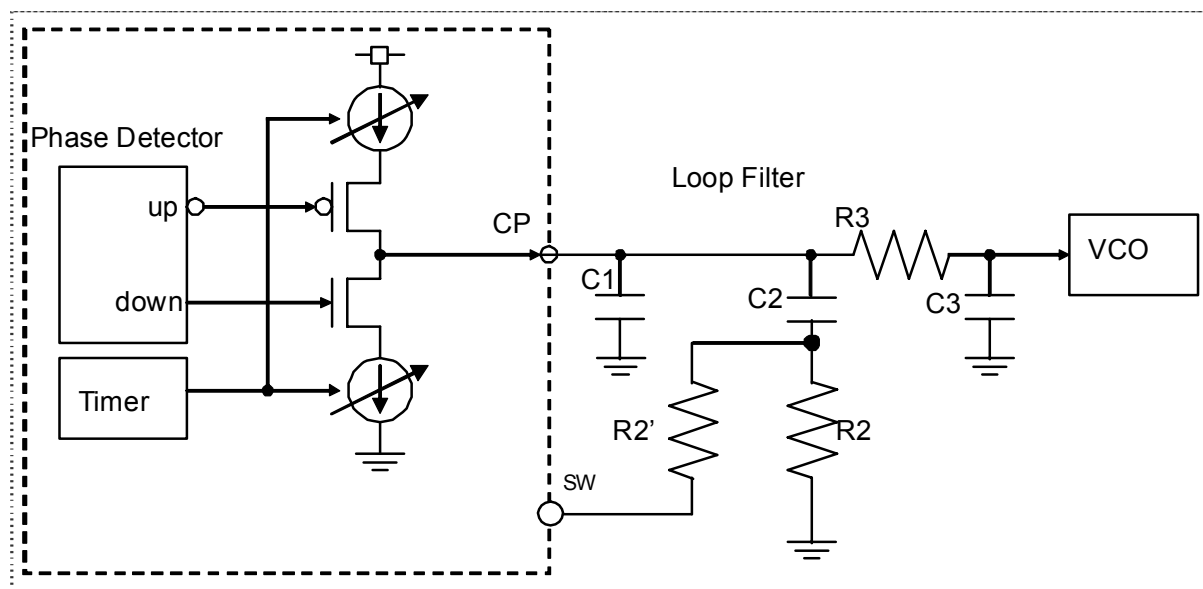


Fig. 5 Loop Filter Schematic

Fast Lock Mode 1

The output level of [SW] pin is programmed to a low state, and the charge pump current is switched to the high value (1 mA). [SW] is used to switch a resistor in the loop filter and to ensure stability while in the fast lock up mode by altering the loop bandwidth.

When the {CPGAIN} bit in the N register is set to "1", the AK1545 enters the fast lock up mode. When the {CPGAIN} bit in the N register is set to "0", the AK1545 exits the fast lock up mode.

Fast Lock Mode 2

The output level of [SW] pin is programmed to a low state, and the charge pump current is switched to the high value (1 mA). [SW] is used to switch a resistor in the loop filter and to ensure stability while in the fast lock up mode by altering the loop bandwidth.

When the {CPGAIN} bit in the N register is set to "1", the AK1545 enters the fast lock up mode. The AK1545 exits the fast lock up mode after the expiration of the timer. The timer configuration is set by the value in {TIMER [3:0]}. After the timeout, the {CPGAIN} bit in the N register is automatically reset to 0, and the device reverts to normal mode instead of the fast lock up mode.

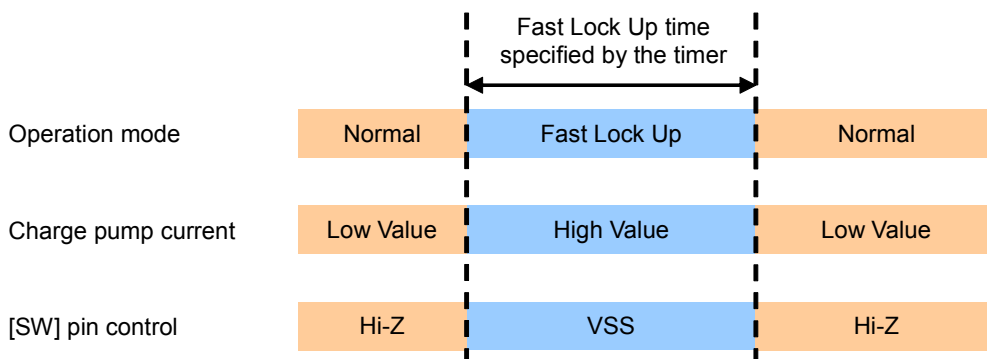


Fig. 6 Fast Lock Up Mode Timing Chart

Table 6 Fast Lock Mode Function

Function	{FASTEN}={D7}	{FASTMODE}={D9}	{CPGAIN}	[SW]-pin state
Fast Lock Mode disable	0	X	0	{D9} state
			1	
Fast Lock Mode 1	1	0	0	Hi-Z
			1	VSS
Fast Lock Mode 2	1	1	(*1) Controlled by the value in {TIMER [3:0]}.	

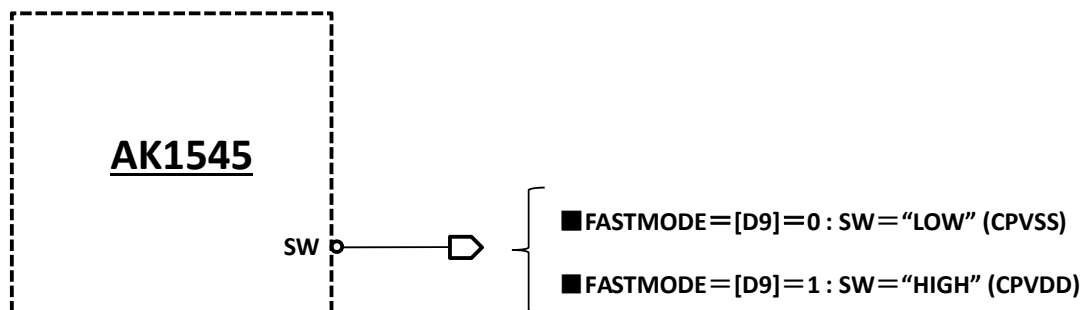
(*1) When the timer is counting, {CPGAIN} = "1" and [SW] pin is low state. After the timeout, its function reverts to normal mode ({CPGAIN} = "0" and [SW] pin is Hi-Z state) instead of the fast lock up mode.

[SW]-pin Functions

SW pin is a General Purpose Output (GPO) pin which can be controlled by FASTEN register.

(1) {FASTEN} = "0"

The value of D9 register comes out from the SW pin.



(2) {FASTEN} = "1"

Works as shown in the "Fast Lock UP Mode Timing Chart" above.



3. Lock Detect

Lock detect output can be selected by {LD[2:0]} in <Address2>. When {LD} is set to "101Bin", the phase detector outputs an un-manipulated phase detection (comparison) result. (This is called "analog lock detect".) When {LD} is set to "001Bin", the lock detect signal is output according to the on-chip logic. (This is called "digital lock detect".)

The lock detect can be done as following:

The [LD] pin is in unlocked state (which outputs "Low") when a frequency setup (N register or R register settings) is made.

Case of Lock to Unlock is as following.

R=1: The [LD] pin outputs "High" when a phase error smaller than a half cycle of [REFIN] ($1/2T$) is detected for the counter value N times consecutively.

R>1: The [LD] pin outputs "High" when a phase error smaller than a cycle of [REFIN] (T) is detected for the counter value N times consecutively.

Case of Unlock to Lock is as following.

R=1: The [LD] pin outputs "Low" when a phase error larger than a half cycle of [REFIN] ($1/2T$) is detected for the counter value N times consecutively.

R>1: The [LD] pin outputs "Low" when a phase error larger than a cycle of [REFIN] (T) is detected for the counter value N times consecutively.

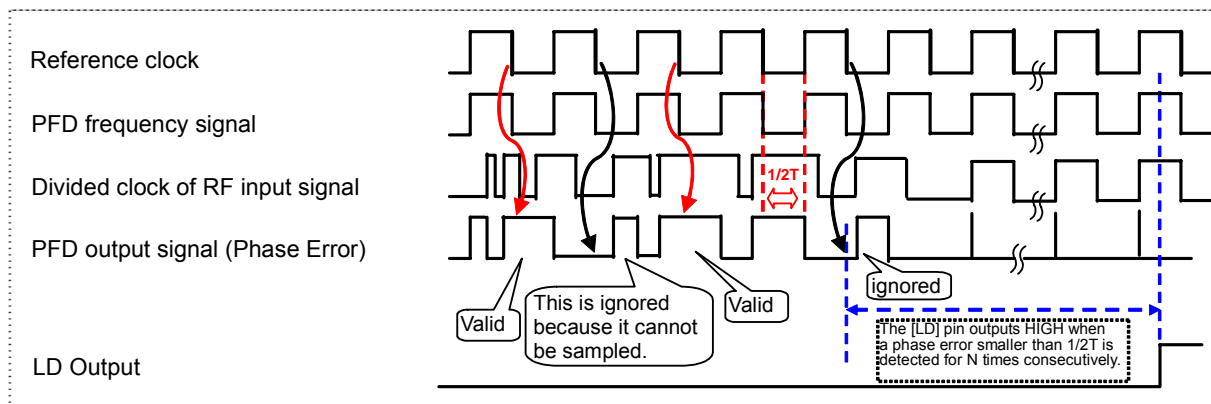
The counter value N can be set by {LDP} in <Address0>. The N is different between "unlocked to locked" and "locked to unlocked".

Table 7 Lock Detect Precision

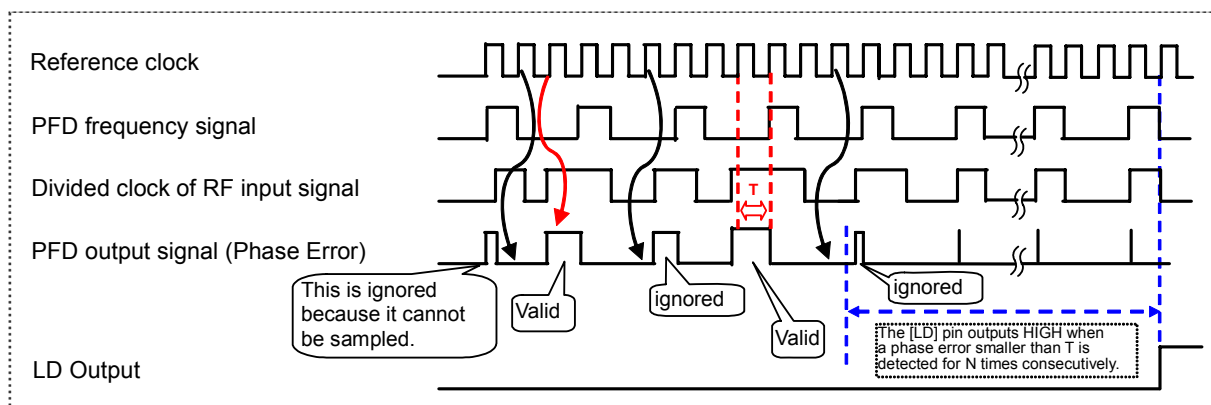
{LDP}	unlocked to locked	locked to unlocked
0	N=15	N=3
1	N=31	N=7



The lock detect signal is shown below:



Case of "R = 1"



Case of "R > 1"

Fig. 7 Digital Lock Detect Operations

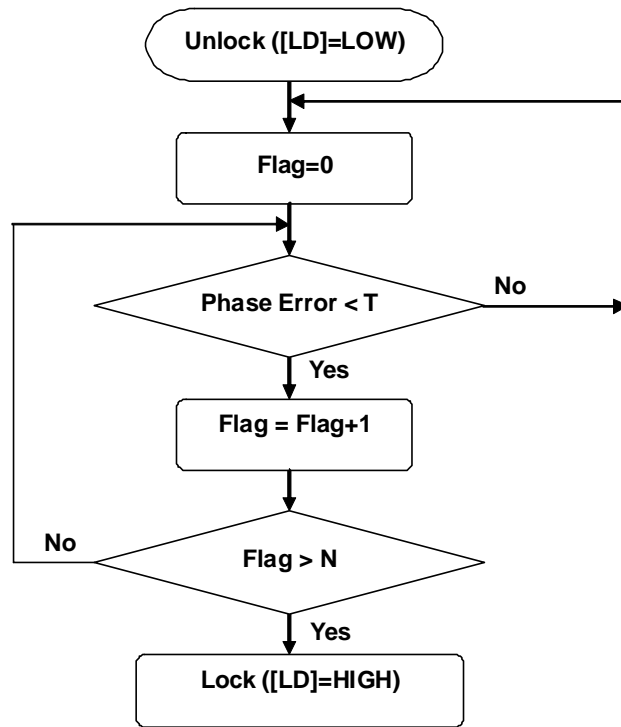


Fig. 8 Unlocked → Locked

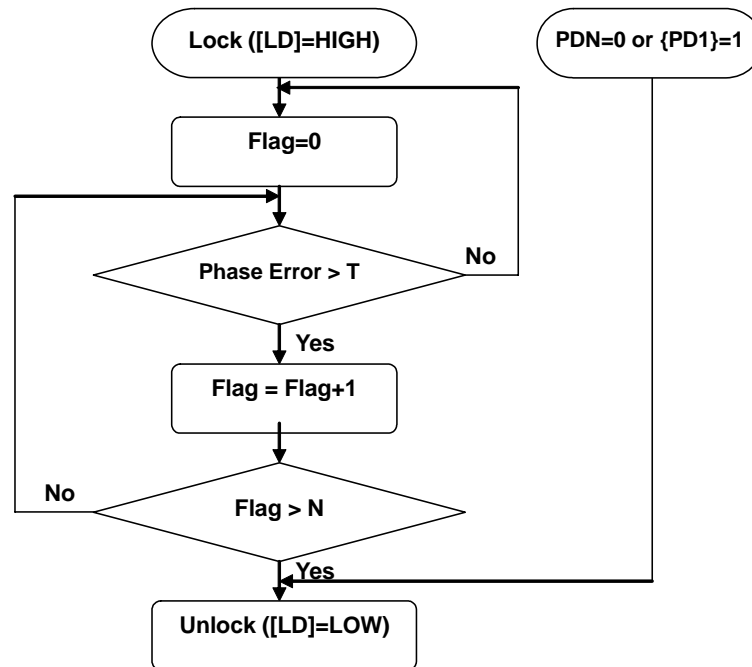


Fig. 9 Locked → Unlocked



4. Reference counter

The reference input can be set with a dividing number in the range of 1 to 16383 using {R [13:0]}, which is a 14-bit address of {D[13:0]} in <Address0>. 0 cannot be set as a dividing number.

5. Prescaler

The dual modulus prescaler ($P/P + 1$) and the swallow counter are used to provide a large dividing ratio. AK1545 has a Dual modulus prescaler 32/33.

6. Power-down and Power-save mode

It is possible to operate in the power-down or power-save mode if necessary by using the external control pin.

Power On

Follow the power-up sequence.

Normal Operation

Table 8 Power-down and Power-save mode

[PDN]	<Address2>		Function
	{PD2}	{PD1}	
"Low"	X	X	Power Down
"High"	X	0	Normal Operation
"High"	0	1	Asynchronous Power Down
"High"	1	1	Synchronous Power Down

X : Don't care



9. Register Map

Name	Data	Address	
R Counter	D18 - D0	0	0
N Counter (A and B)		0	1
Function		1	0
Initialization		1	1

Name	D18	D17	D16	D15	D14	D13	D12	D11	D10	D9	D8	D7	D6	D5	D4	D3	D2	D1	D0	Address
R Count	LDP	0	0	0	0	R [13]	R [12]	R [11]	R [10]	R [9]	R [8]	R [7]	R [6]	R [5]	R [4]	R [3]	R [2]	R [1]	R [0]	0x0
N Count	CPGA IN	B [12]	B [11]	B [10]	B [9]	B [8]	B [7]	B [6]	B [5]	B [4]	B [3]	B [2]	B [1]	B [0]	A [4]	A [3]	A [2]	A [1]	A [0]	0x1
Func.	0	PD2	0	0	0	TIMER [3]	TIMER [2]	TIMER [1]	TIMER [0]	FAST MODE	0	FAST EN	CP HiZ	CP POLA	LD [2]	LD [1]	LD [0]	PD1	CNTR RST	0x2
Initial.	0	PD2	0	0	0	TIMER [3]	TIMER [2]	TIMER [1]	TIMER [0]	FAST MODE	0	FAST EN	CP HiZ	CP POLA	LD [2]	LD [1]	LD [0]	PD1	CNTR RST	0x3



Notes for writing into registers

After powers on AK1545, [PDN] must be "0" or {PD1} must be "1".

After powers on AK1545, the initial registers value are not defined. It is required to write the data in all addresses in order to commit it.

[Examples of writing into registers]

(Ex. 1) Power-On

- Bring [PDN] to "0 (Low)"
- Apply VDD
- Program Address0, Address1 and Address2
- Bring [PDN] to "1 (High)"

(Ex. 2) Changing frequency settings : Initialization

- Program Address3
- Program Address1

(Ex. 3) Changing frequency settings : Counter reset

- Program Address2. As part of this, load "1" to both {PD1} and {CNTR_RST}.
- Program Address1
- Program Address2. As part of this, load "0" to both {PD1} and {CNTR_RST}.

(Ex. 4) Changing frequency settings : PDN pin method

- Bring [PDN] to "0 (Low)"
- Program Address1
- Bring [PDN] to "1 (High)"



10. Function Description - Registers

< Address0 : R Counter >

D18	D[17:14]	D[13:0]	Address
LDP	0	R[13:0]	00

D[17:14] : These bits are set to the following for normal operation

D17	D16	D15	D14
0	0	0	0

LDP : Lock Detect Precision

The counter value for digital lock detect can be set.

D18	Function	Remarks
0	15 times Count	unlocked to locked
	3 times Count	locked to unlocked
1	31 times Count	unlocked to locked
	7 times Count	locked to unlocked

**R[13:0] : Reference clock division number**

The following settings can be selected for the reference clock division.

The allowed range is 1 (1/1 division) to 16383 (1/16383 division). 0 cannot be set.

The maximum frequency for F_{PFD} is 55MHz.

D13	D12	D11	D10	D9	D8	D7	D6	D5	D4	D3	D2	D1	D0	Function	Remarks
0	0	0	0	0	0	0	0	0	0	0	0	0	0	0	Prohibited
0	0	0	0	0	0	0	0	0	0	0	0	0	1	1/1 division	
0	0	0	0	0	0	0	0	0	0	0	0	1	0	1/2 division	
0	0	0	0	0	0	0	0	0	0	0	0	1	1	1/3 division	
0	0	0	0	0	0	0	0	0	0	0	1	0	0	1/4 division	
DATA															
1	1	1	1	1	1	1	1	1	1	1	1	0	1	1/16381 division	
1	1	1	1	1	1	1	1	1	1	1	1	1	0	1/16382 division	
1	1	1	1	1	1	1	1	1	1	1	1	1	1	1/16383 division	



< Address1 : N Counter >

D18	D[17:5]	D[4:0]	Address
CPGAIN	B[12:0]	A[4:0]	01

CPGAIN : Sets the charge pump current

D18	Function	Remarks
0	250 μ A	
1	1mA	

B[12:0] : B (Programmable) counter value

D17	D16	D15	D14	D13	D12	D11	D10	D9	D8	D7	D6	D5	Function	Remarks
0	0	0	0	0	0	0	0	0	0	0	0	0	0	Prohibited
0	0	0	0	0	0	0	0	0	0	0	0	1	1 Dec	Prohibited
0	0	0	0	0	0	0	0	0	0	0	1	0	2 Dec	Prohibited
0	0	0	0	0	0	0	0	0	0	0	1	1	3 Dec	
DATA														
1	1	1	1	1	1	1	1	1	1	1	0	1	8189 Dec	
1	1	1	1	1	1	1	1	1	1	1	1	0	8190 Dec	
1	1	1	1	1	1	1	1	1	1	1	1	1	8191 Dec	

A[4:0] : A (Swallow) counter value

D4	D3	D2	D1	D0	Function	Remarks
0	0	0	0	0	0	
0	0	0	0	1	1 Dec	
0	0	0	1	0	2 Dec	
0	0	0	1	1	3 Dec	
DATA						
1	1	1	0	1	29 Dec	
1	1	1	1	0	30 Dec	
1	1	1	1	1	31 Dec	



*** Requirements for A[4:0] and B[12:0]**

The data at A[4:0] and B[12:0] must meet the following requirements:

$$A[4:0] \geq 0, B[12:0] \geq 3, B[12:0] \geq A[4:0]$$

See “Frequency Setup” in section “Block Functional Descriptions” for details of the relationship between a frequency division number N and the data at A[4:0] and B[12:0].



< Address2 : Function >

D18	D17	D[16:14]	D[13:10]	D9	D8	D7
0	PD2	0	TIMER[3:0]	FASTMODE	0	FASTEN

D6	D5	D[4:2]	D1	D0	Address
CPHIZ	CPPOLA	LD[2:0]	PD1	CNTR_RST	02

PD2, PD1 : Power Down Select

[PDN]	<Address2>		Function
	{PD2}	{PD1}	
“Low”	X	X	Power Down
“High”	X	0	Normal Operation
“High”	0	1	Asynchronous Power Down
“High”	1	1	Synchronous Power Down

X : Don't care

{PD2}=1 and {PD1}=1 : All circuits powers down at the timing when the Phase detector frequency signal reverses.

{PD2}=0 and {PD1}=1 : All circuits goes into Power Down at the rise up of LE signal that latches 1 into {PD1}.

TIMER[3:0] : Sets the Fast Lock Timer

This is enabled when {FASTMODE} = “1”, {FASTEN} = “1” and {CPGAIN} = “1”.

The charge pump current is set into high value (1mA) designate during switchover time which is set by {TIMER[3:0]}.

The following formula shows the relationship between the switchover time and the counter value.

$$\text{Switchover time} = 1 / F_{\text{PFD}} \times \text{Counter Value}$$

$$\text{Counter Value} = 3 + \text{Timer}[3:0] \times 4$$



The following table shows the relationship between counter value and {TIMER[3:0]}.

D13	D12	D11	D10	Function	Remarks
0	0	0	0	3 Counts	
0	0	0	1	7 Counts	
0	0	1	0	11 Counts	
0	0	1	1	15 Counts	
0	1	0	0	19 Counts	
0	1	0	1	23 Counts	
0	1	1	0	27 Counts	
0	1	1	1	31 Counts	
1	0	0	0	35 Counts	
1	0	0	1	39 Counts	
1	0	1	0	43 Counts	
1	0	1	1	47 Counts	
1	1	0	0	51 Counts	
1	1	0	1	55 Counts	
1	1	1	0	59 Counts	
1	1	1	1	63 Counts	

FASTMODE and FASTEN : Enables or disables the Fast Lock mode

D7	D9	Function	Remarks
0	X	Fast Lock Mode disable	SW pin functions as a General Purpose Output (GPO) which reflects a D9 register settings.
1	0	Fast Lock Mode 1	
1	1	Fast Lock Mode 2	Timer is available

CPHIZ : TRI-STATE output setting for charge pump

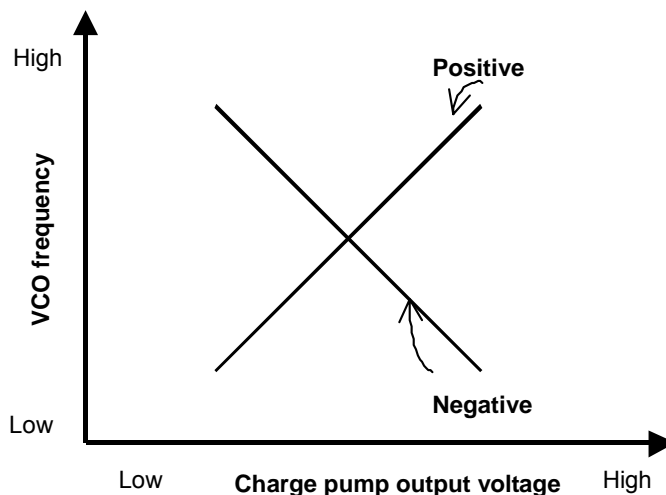
D6	Function	Remarks
0	Charge pumps are activated.	Use this setting for normal operation.
1	TRI-STATE	Note 1)

Note 1) The charge pump output is turned OFF and put in the high-impedance (Hi-Z) state.



CPPOLA : Selects positive or negative output polarity for CP

D5	Function	Remarks
0	Negative	
1	Positive	



LD : Selects output from [LD] pin

D4	D3	D2	Function	Remarks
0	0	0	Low	
0	0	1	Digital lock detect	
0	1	0	N divider output	
0	1	1	High	
1	0	0	R divider output	
1	0	1	Analog lock detect	Open Drain
1	1	0	Low	
1	1	1	Low	

CNTR_RST : Counter Reset

D0	Function	Remarks
0	Normal operation	
1	R and N counters are reset.	

**< Address3 : Initialization >**

This function is same as <Address2>. When this register is programmed, the N-counter, R-counter, FAST-counter become load-state condition and the charge pump output is three - state. Next, Writing the address1<N-counter>, these are starting to operation.



11. IC Interface Schematic

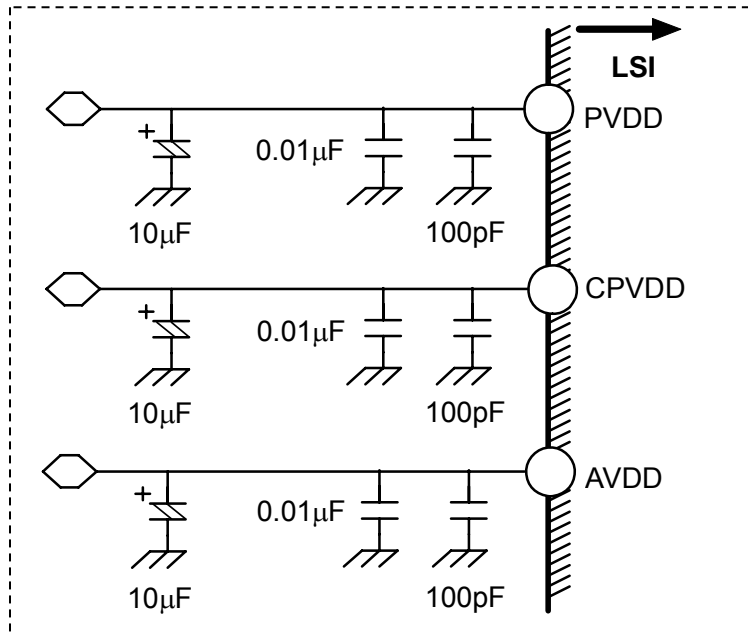
No.	Pin name	I/O	R0(Ω)	Cur(μA)	Function
10	PDN	I	300		<p>Digital input pin</p>
11	CLK	I	300		
12	DATA	I	300		
13	LE	I	300		
4	TEST1	I	300		
9	TEST2	I	300		
14	LD	O			<p>Digital output pin</p>
1	SW	O			
8	REFIN	I	300		<p>Analog input pin</p>



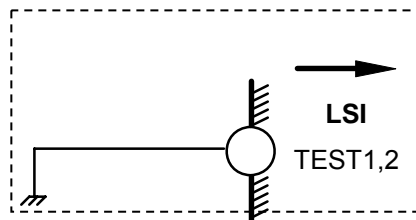
No.	Pin name	I/O	R0(Ω)	Cur(μA)	Function
2	CP	O			Analog output pin
5	RFINN	I	21k	60	
6	RFINP	I	21k	60	Analog input pin (RF input pin)

12. Recommended Connection Schematic of Off-Chip Component

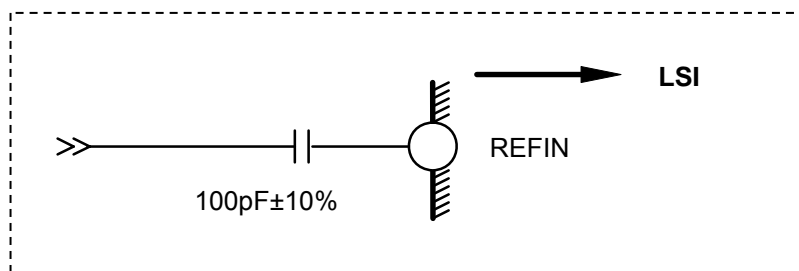
1. Power Supply Pins



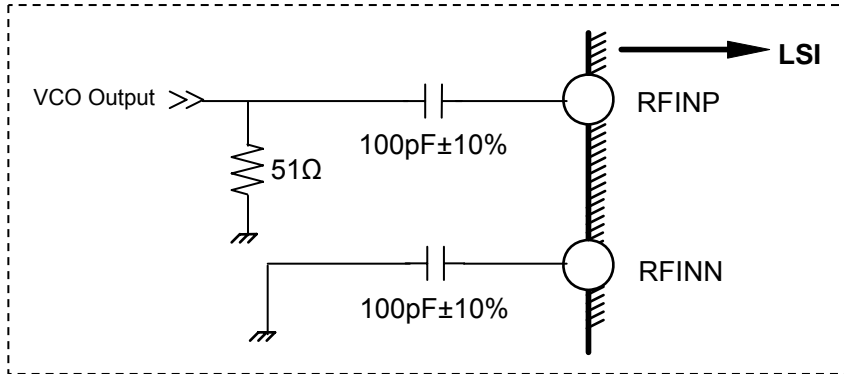
2. TEST1, TEST2



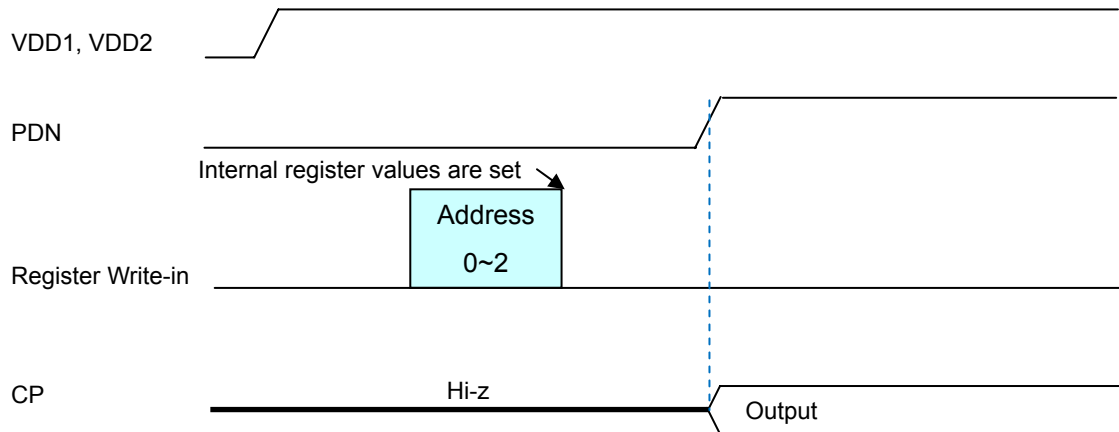
3. REFIN



4. RFINP, RFINN

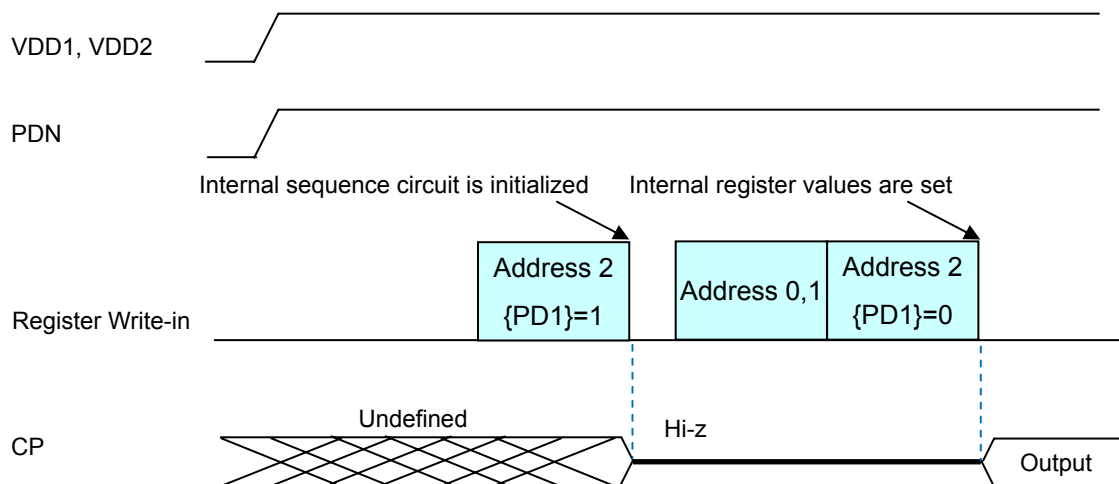


13. Power-Up Timing Chart (Recommended Flow)



Note1) After VDD1 and VDD2 is powered up, the initial setting of registers is undefined. It is required to write in Address0, 1 and 2.

Fig. 10 Power Up Sequence (Recommended)



Note2) When VDD1, VDD2 and PDN are synchronously powered up, internal sequence circuit is not initialized. So the circuit starts working on undefined status. Therefore, register {PD1} must be set to "1" before register setting.

Fig. 11 Power Up Sequence (VDD1/VDD2/PDN synchronous power-up)

14. Frequency Setting Timing Chart (Recommended Flow)

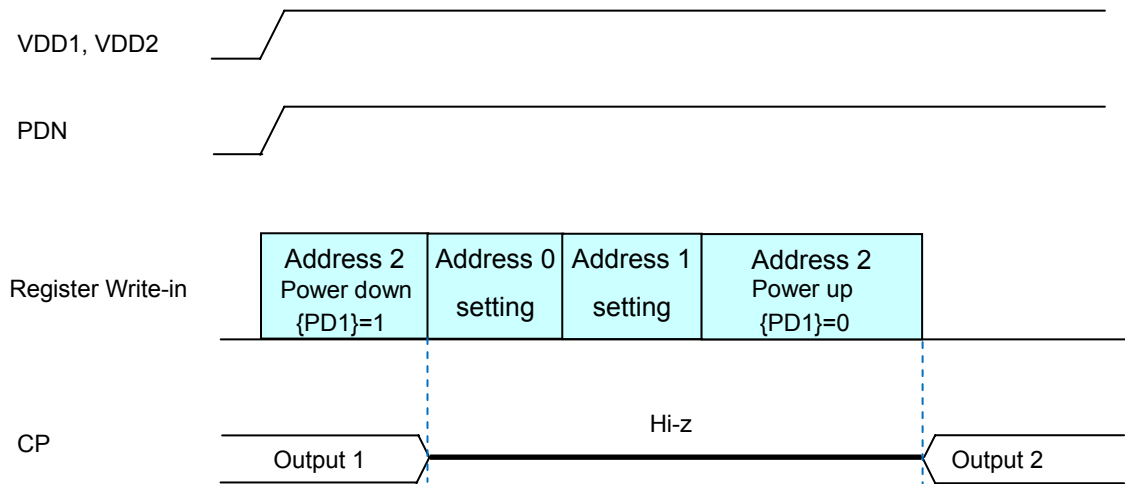


Fig. 12 Frequency settings (controlled by {PD1})

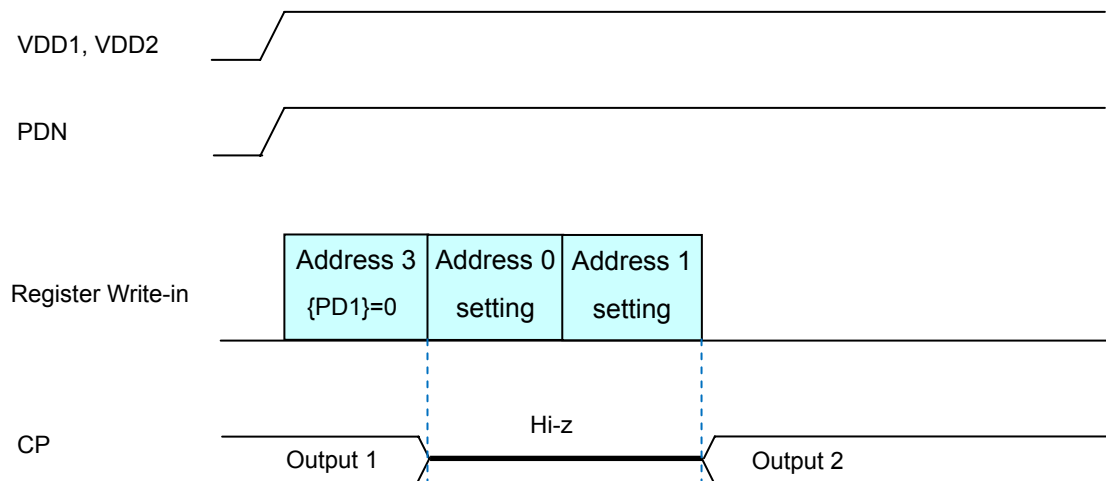


Fig. 23 Frequency settings (controlled by INITIAL register)

注) The function of Address3 is the same as Address2. Before writing in Address3, be sure to set

{PD1}=0. Access to Address3 resets CP to Hi-Z, then set Address0 and 1. Access to Address1 restarts CP to operating.

15. Typical Evaluation Board Schematic

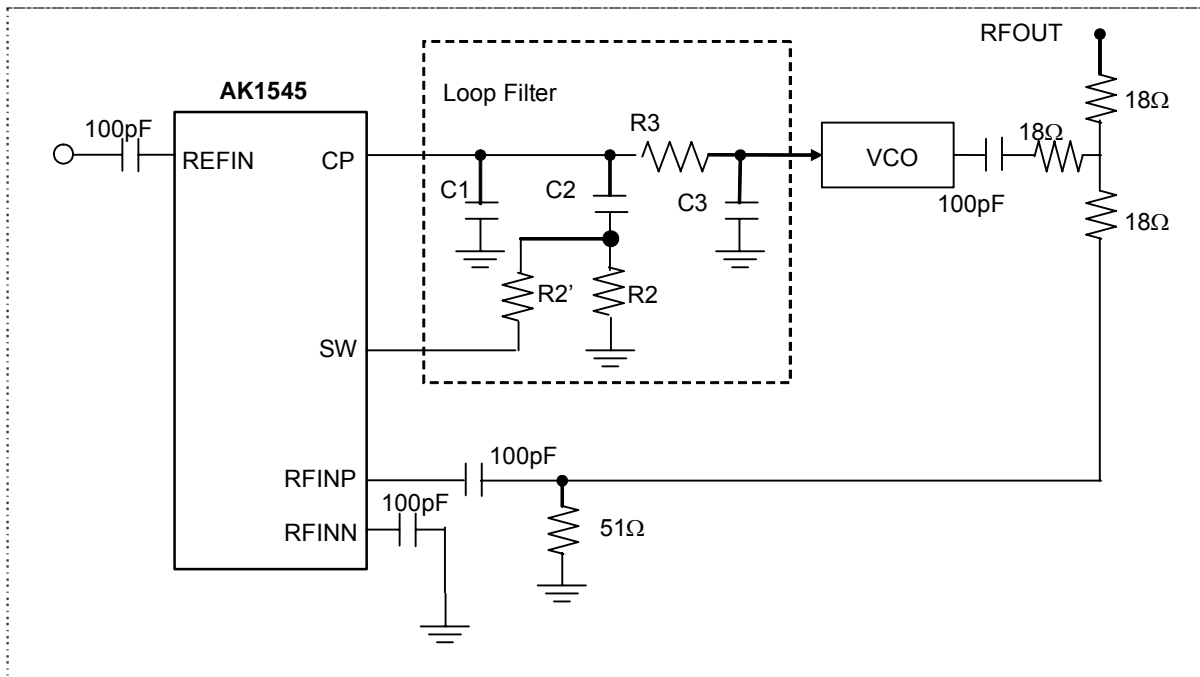


Fig. 34 Typical Evaluation Board Schematic



16. Typical Performance Characteristics

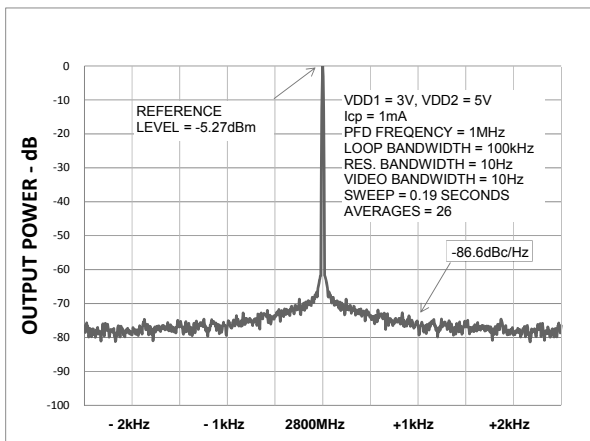


Fig. 15 AK1545 Phase Noise (2800 MHz, 1 MHz, 100 kHz)

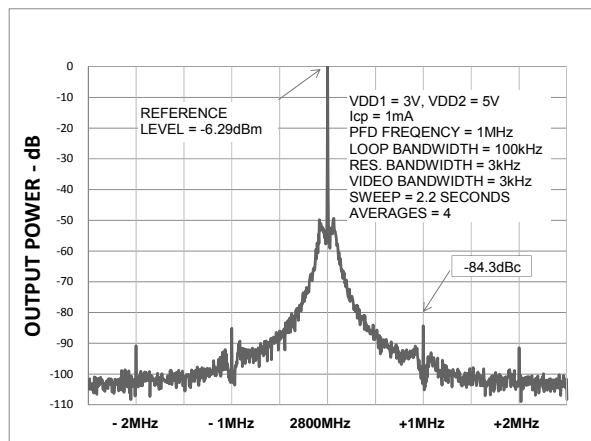


Fig. 17 AK1545Reference Spurs (2800 MHz, 1 MHz, 100 kHz)

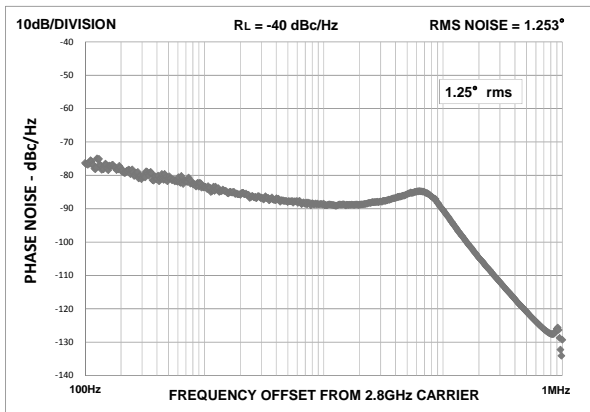


Fig. 16 AK1545 Integrated Phase Noise (2800 MHz, 1 MHz, 100 kHz)



17. Outer Dimensions

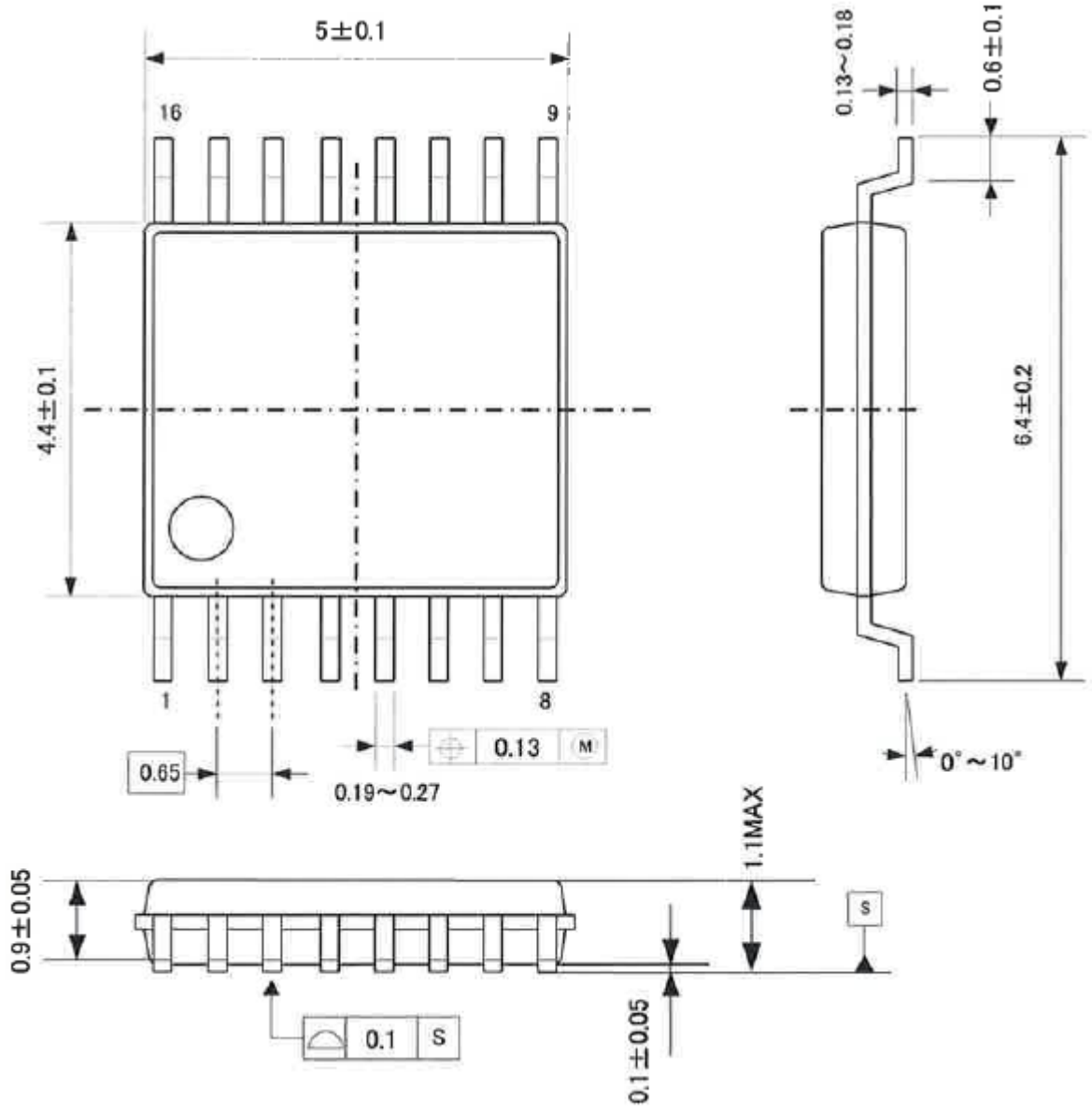
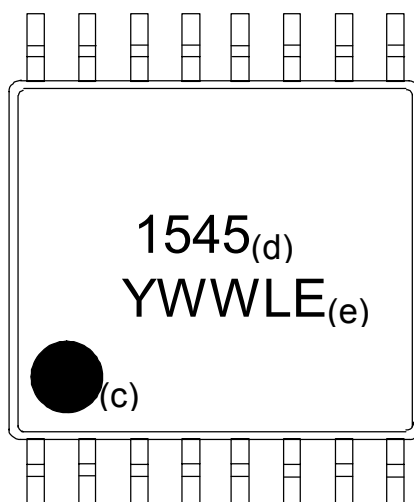


Fig. 18 Outer Dimensions



18. Marking

- a. S tyle : TS SOP
- b. Number of pins : 16
- c. A1 pin marking : ●
- d. Product number : 154 5
- e. Date code : YWWLE (5 digits)
- Y : Lower 1 digit of calendar year
(Year 2012-> 2, 2013-> 3 ...)
- WW : Week
- L : Lot identification, given to each product lot which is made in a week
(A, B, C...)
→ LOT ID is given in alphabetical order
- E : Fixed





IMPORTANT NOTICE

- These products and their specifications are subject to change without notice. When you consider any use or application of these products, please make inquiries the sales office of Asahi Kasei Microdevices Corporation (AKM) or authorized distributors as to current status of the products.
- Descriptions of external circuits, application circuits, software and other related information contained in this document are provided only to illustrate the operation and application examples of the semiconductor products. You are fully responsible for the incorporation of these external circuits, application circuits, software and other related information in the design of your equipments. AKM assumes no responsibility for any losses incurred by you or third parties arising from the use of these information herein. AKM assumes no liability for infringement of any patent, intellectual property, or other rights in the application or use of such information contained herein.
- Any export of these products, or devices or systems containing them, may require an export license or other official approval under the law and regulations of the country of export pertaining to customs and tariffs, currency exchange, or strategic materials.
- AKM products are neither intended nor authorized for use as critical components^{Note1)} in any safety, life support, or other hazard related device or system^{Note2)}, and AKM assumes no responsibility for such use, except for the use approved with the express written consent by Representative Director of AKM. As used here:
 - Note1) A critical component is one whose failure to function or perform may reasonably be expected to result, whether directly or indirectly, in the loss of the safety or effectiveness of the device or system containing it, and which must therefore meet very high standards of performance and reliability.
 - Note2) A hazard related device or system is one designed or intended for life support or maintenance of safety or for applications in medicine, aerospace, nuclear energy, or other fields, in which its failure to function or perform may reasonably be expected to result in loss of life or in significant injury or damage to person or property.
- It is the responsibility of the buyer or distributor of AKM products, who distributes, disposes of, or otherwise places the product with a third party, to notify such third party in advance of the above content and conditions, and the buyer or distributor agrees to assume any and all responsibility and liability for and hold AKM harmless from any and all claims arising from the use of said product in the absence of such notification.