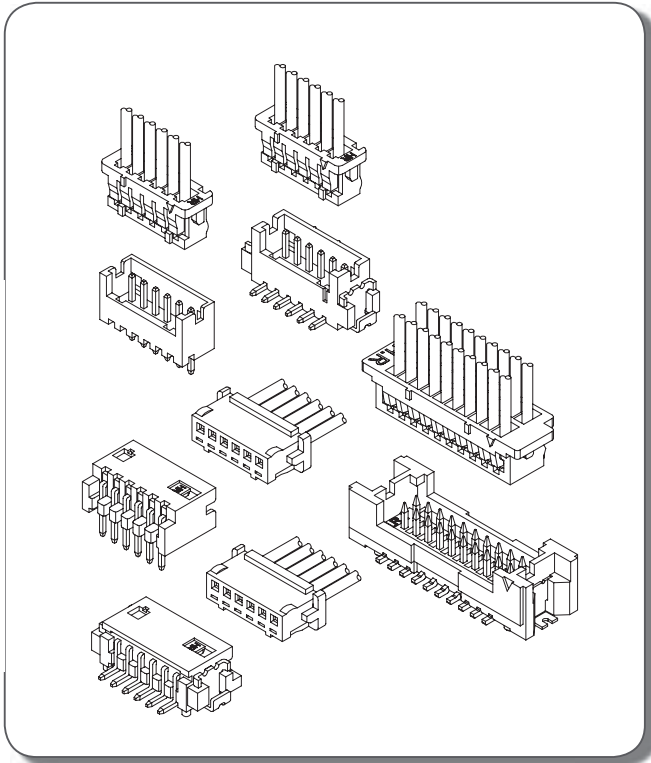




A1252 SERIES

1.25mm pitch wire to board connector



Specifications

- Current rating: 1A AC,DC
- Voltage rating: 150V AC,DC
- Temperature range: -25°C ~ +85°C
- Contact resistance: 30mΩ Max.
- Insulation resistance: 500MΩ Min.
- Withstanding voltage: 500V AC/minute
- *Contact H.R for details*

Standards

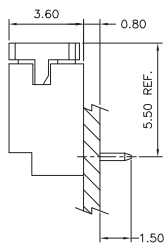


E179987

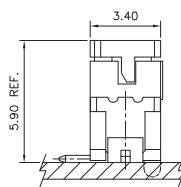
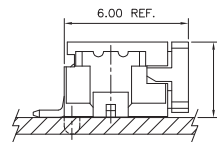
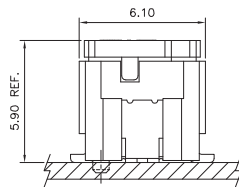
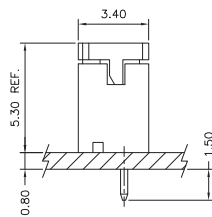


LR113464

Assembly layout



DIP TYPE



SMT TYPE

Ordering code

① ② ③ ④ ⑤
A1252 - T P E - A

- ① Series No.
- ② Plating code: T= Tin-plated, G=Gold-flash
- ③ Material: P=Phosphor bronze
- ④ E=Stamping before plating
- ⑤ Option code: -A=Type A

① ② ③ ④ ⑤ ⑥
A1252 H A - 2X 05P - BK

- ① Series No.
- ② H=Housing
- ③ Blank=Normal type, A=Lock type
- ④ Blank=Single row, 2X=Dual row
- ⑤ No. of circuits
- ⑥ Option code: -BK=Black

① ② ③ ④ ⑤ ⑥
A1252 WV - SF - 2X 05P D01

- ① Series No.
- ② Connector type: WV=Vertical, WR=Right angle
- ③ Mounting type: Blank=Through hole
-SF=SMT with boss
-S=SMT without boss
- ④ Blank=Single row, 2X=Dual row
- ⑤ No. of circuits
- ⑥ Option code:
46G=Nylon 46, Gold-flash(Through hole type only)
D01=Gold-flash, Taping reel(SMT type only)
D11=Black, Gold-flash, Taping reel(SMT type only)



A1252 SERIES

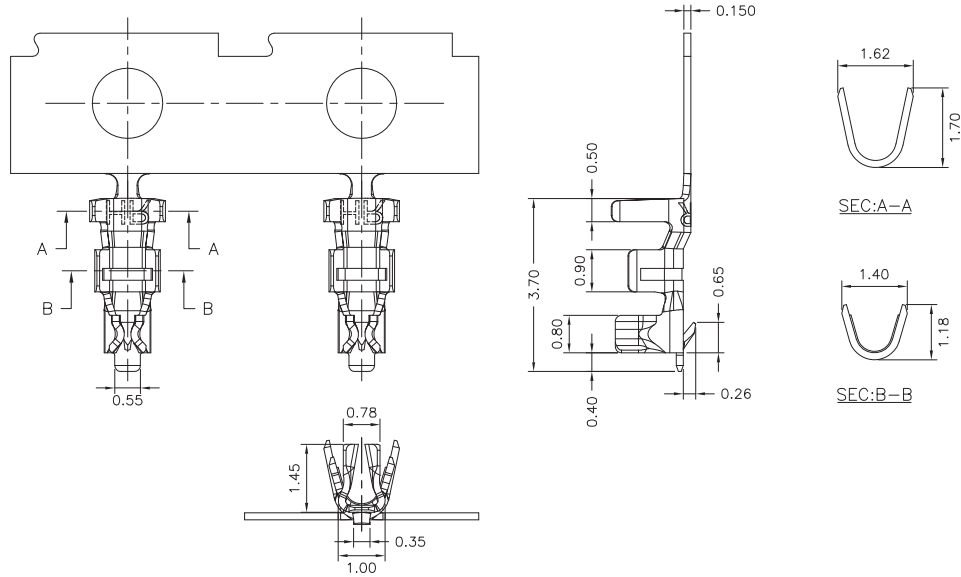
1.25mm pitch wire to board connector

A1252-T

1.25mm pitch Crimp Terminal

Reference Informations:

*Used in H.R A1252 series Housing



Ordering Information & Specifications:

Unit:mm

Part No.	Wire Range	Insulation O.D.	Material	Finish	Qty/reel
A1252-TPE-A	AWG#26-#30	1.00mm(max)	Phosphor Bronze	Tin-plated	10,000pcs
A1252-GPE-A	AWG#26-#30	1.01mm(max)	Phosphor Bronze	Gold-flash	10,000pcs

Note:E-Stamping before Tin-plated or Gold-flash

A1252H

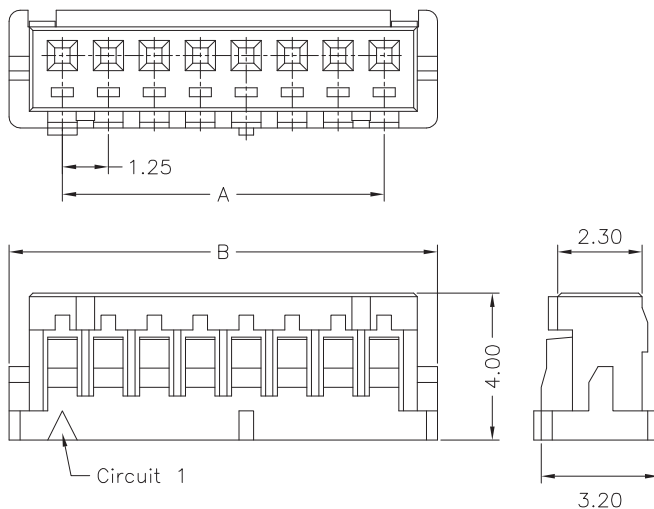
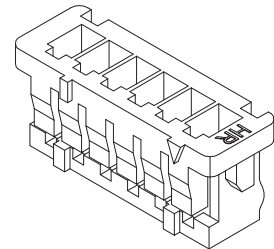
1.25mm pitch Single Row Housing

Reference Informations:

*Material: Nylon 66,UL94V-0

*Suitable H.R A1252 series Terminal

*Mates with H.R A1252 series single row Wafer



Ordering Information & Dimensions:

PART NO.	Dimensions	
	A	B
A1252H-02P	1.25	4.15
A1252H-03P	2.50	5.40
A1252H-04P	3.75	6.65
A1252H-05P	5.00	7.90
A1252H-06P	6.25	9.15
A1252H-07P	7.50	10.40
A1252H-08P	8.75	11.65
A1252H-09P	10.00	12.90
A1252H-10P	11.25	14.15
A1252H-11P	12.50	15.40
A1252H-12P	13.75	16.65
A1252H-13P	15.00	17.90
A1252H-14P	16.25	19.15
A1252H-15P	17.50	20.40

Unit:mm



A1252 SERIES

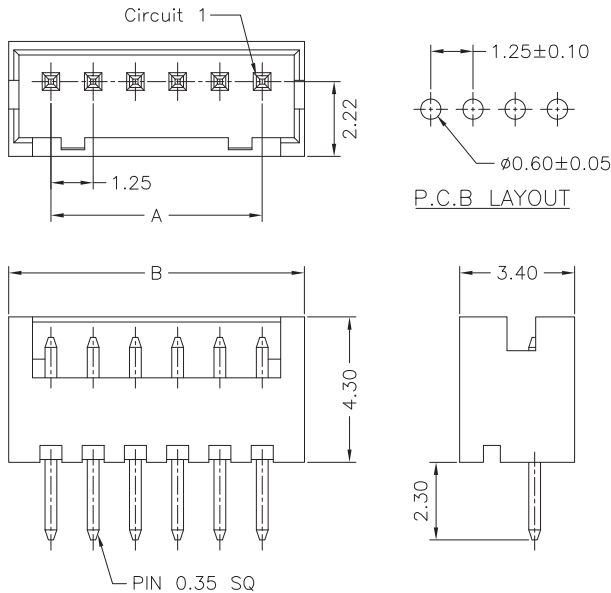
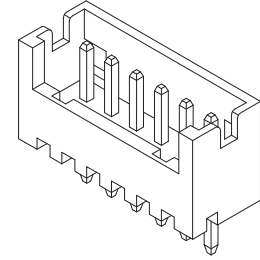
1.25mm pitch wire to board connector

A1252WV

1.25mm pitch 180° Single Row Wafer

Reference Informations:

- *Material: Pin: Brass/Tin-plated
Wafer: Nylon 66,UL94V-0
- *Mates with H.R A1252 series single row Housing
- *Nylon 46 is available



Ordering Information & Dimensions:

PART NO.	Dimensions	
	A	B
A1252WV-02P	1.25	3.75
A1252WV-03P	2.50	5.00
A1252WV-04P	3.75	6.25
A1252WV-05P	5.00	7.50
A1252WV-06P	6.25	8.75
A1252WV-07P	7.50	10.00
A1252WV-08P	8.75	11.25
A1252WV-09P	10.00	12.50
A1252WV-10P	11.25	13.75
A1252WV-11P	12.50	15.00
A1252WV-12P	13.75	16.25
A1252WV-13P	15.00	17.50
A1252WV-14P	16.25	18.75
A1252WV-15P	17.50	20.00

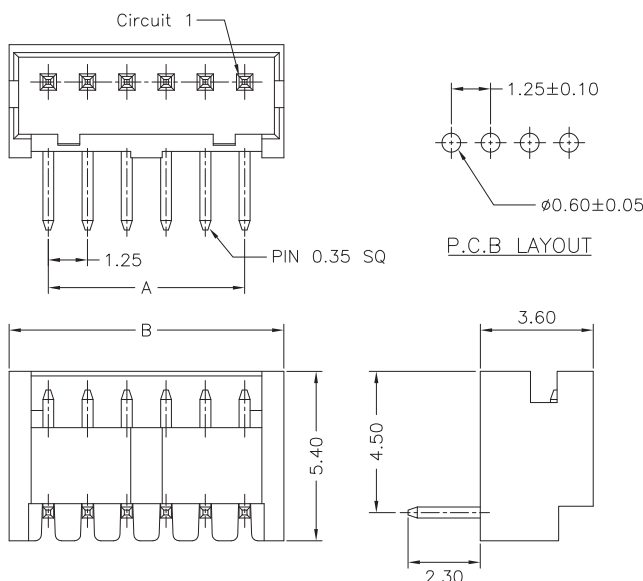
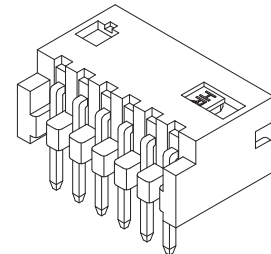
Unit:mm

A1252WR

1.25mm pitch 90° Single Row Wafer

Reference Informations:

- *Material: Pin: Brass/Tin-plated
Wafer: Nylon 66,UL94V-0
- *Mates with H.R A1252 series single row Housing
- *Nylon 46 is available



Ordering Information & Dimensions:

PART NO.	Dimensions	
	A	B
A1252WR-02P	1.25	3.75
A1252WR-03P	2.50	5.00
A1252WR-04P	3.75	6.25
A1252WR-05P	5.00	7.50
A1252WR-06P	6.25	8.75
A1252WR-07P	7.50	10.00
A1252WR-08P	8.75	11.25
A1252WR-09P	10.00	12.50
A1252WR-10P	11.25	13.75
A1252WR-11P	12.50	15.00
A1252WR-12P	13.75	16.25
A1252WR-13P	15.00	17.50
A1252WR-14P	16.25	18.75
A1252WR-15P	17.50	20.00

Unit:mm



A1252 SERIES

1.25mm pitch wire to board connector

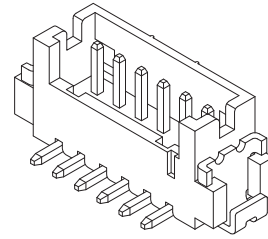
A1252WV-SF

— 1.25mm pitch 180° Single Row Wafer With Boss - SMT TYPE —

Reference Informations:

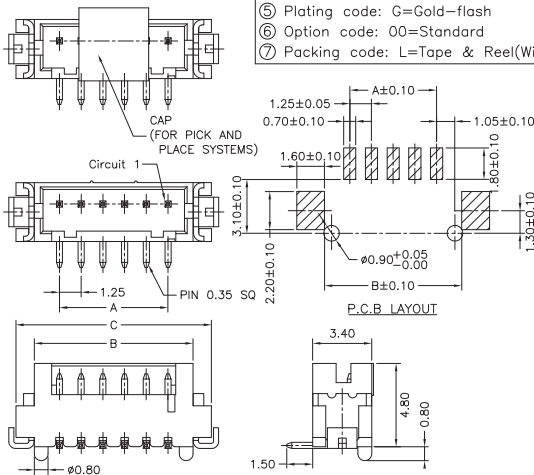
- *Material: Pin: Brass/Gold-flash
Solder Tabs: Phosphor Bronze/Gold-flash
Wafer: Nylon 6T,UL94V-0
Cap: Nylon 6T,UL94V-0

*Mates with H.R A1252 series single row Housing



A1252WV-SF-05P		N	6	B	G1	G	00	L
①	②	③	④	⑤	⑥	⑦		

① N=Halogen Free
② Material: 6=Nylon 6T
③ Color: B=Black
④ Plating code: G1=Gold-flash
⑤ Plating code: G=Gold-flash
⑥ Option code: 00=Standard
⑦ Packing code: L=Tape & Reel(With Cap)



Ordering Information & Dimensions:

PART NO.	Dimensions		
	A	B	C
A1252WV-SF-02PD01	1.25	4.15	6.25
A1252WV-SF-03PD01	2.50	5.40	7.50
A1252WV-SF-04PD01	3.75	6.65	8.75
A1252WV-SF-05PD01	5.00	7.90	10.00
A1252WV-SF-06PD01	6.25	9.15	11.25
A1252WV-SF-07PD01	7.50	10.40	12.50
A1252WV-SF-08PD01	8.75	11.65	13.75
A1252WV-SF-09PD01	10.00	12.90	15.00
A1252WV-SF-10PD01	11.25	14.15	16.25
A1252WV-SF-11PD01	12.50	15.40	17.50
A1252WV-SF-12PD01	13.75	16.65	18.75
A1252WV-SF-13PD01	15.00	17.90	20.00
A1252WV-SF-14PD01	16.25	19.15	21.25
A1252WV-SF-15PD01	17.50	20.40	22.50

Unit:mm

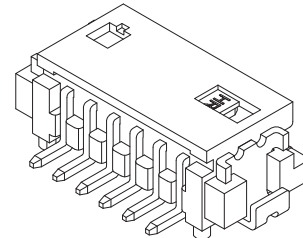
A1252WR-SF

— 1.25mm pitch 90° Single Row Wafer With Boss - SMT TYPE —

Reference Informations:

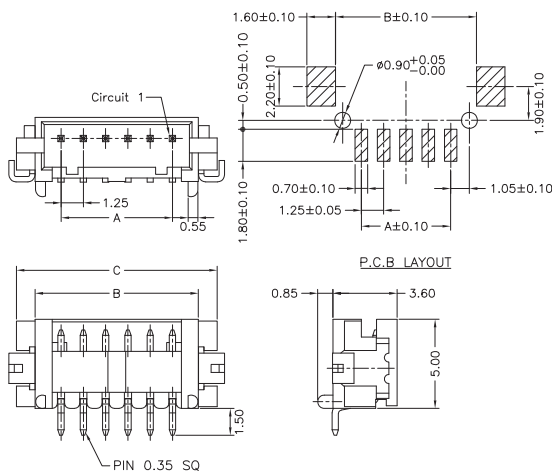
- *Material: Pin: Brass/Gold-flash
Solder Tabs: Phosphor Bronze/Gold-flash
Wafer: Nylon 6T,UL94V-0

*Mates with H.R A1252 series single row Housing



A1252WR-SF-05P		N	6	B	G1	G	00	R
①	②	③	④	⑤	⑥	⑦		

① N=Halogen Free
② Material: 6=Nylon 6T
③ Color: B=Black
④ Plating code: G1=Gold-flash
⑤ Plating code: G=Gold-flash
⑥ Option code: 00=Standard
⑦ Packing code: R=Tape & Reel



Ordering Information & Dimensions:

PART NO.	Dimensions		
	A	B	C
A1252WR-SF-02PD01	1.25	4.15	6.25
A1252WR-SF-03PD01	2.50	5.40	7.50
A1252WR-SF-04PD01	3.75	6.65	8.75
A1252WR-SF-05PD01	5.00	7.90	10.00
A1252WR-SF-06PD01	6.25	9.15	11.25
A1252WR-SF-07PD01	7.50	10.40	12.50
A1252WR-SF-08PD01	8.75	11.65	13.75
A1252WR-SF-09PD01	10.00	12.90	15.00
A1252WR-SF-10PD01	11.25	14.15	16.25
A1252WR-SF-11PD01	12.50	15.40	17.50
A1252WR-SF-12PD01	13.75	16.65	18.75
A1252WR-SF-13PD01	15.00	17.90	20.00
A1252WR-SF-14PD01	16.25	19.15	21.25
A1252WR-SF-15PD01	17.50	20.40	22.50

Unit:mm



A1252 SERIES

1.25mm pitch wire to board connector

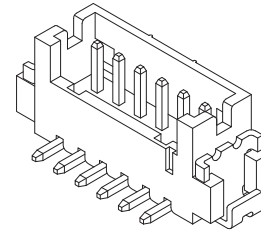
A1252WV-S

1.25mm pitch 180° Single Row Wafer - SMT TYPE

Reference Informations:

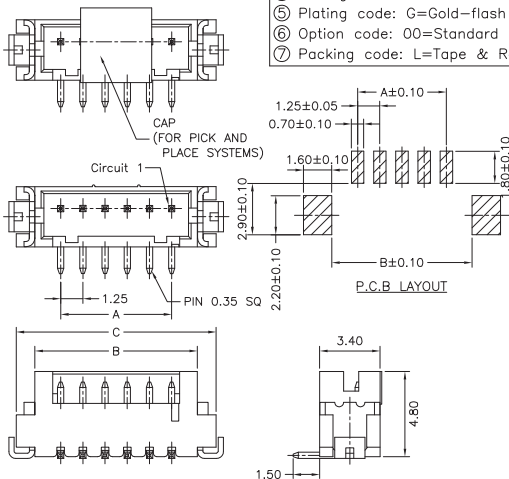
- *Material: Pin: Brass/Gold-flash
Solder Tabs: Phosphor Bronze/Gold-flash
Wafer: Nylon 6T,UL94V-0
Cap: Nylon 6T,UL94V-0

*Mates with H.R A1252 series single row Housing



	A1252WV-S-05P	N	6	B	G1	G	00	L
		①	②	③	④	⑤	⑥	⑦

① N=Halogen Free
② Material: 6=Nylon 6T
③ Color: B=Black
④ Plating code: G1=Gold-flash
⑤ Plating code: G=Gold-flash
⑥ Option code: 00=Standard
⑦ Packing code: L=Tape & Reel(With Cap)



Ordering Information & Dimensions:

PART NO.	Dimensions		
	A	B	C
A1252WV-S-02PD01	1.25	4.15	6.25
A1252WV-S-03PD01	2.50	5.40	7.50
A1252WV-S-04PD01	3.75	6.65	8.75
A1252WV-S-05PD01	5.00	7.90	10.00
A1252WV-S-06PD01	6.25	9.15	11.25
A1252WV-S-07PD01	7.50	10.40	12.50
A1252WV-S-08PD01	8.75	11.65	13.75
A1252WV-S-09PD01	10.00	12.90	15.00
A1252WV-S-10PD01	11.25	14.15	16.25
A1252WV-S-11PD01	12.50	15.40	17.50
A1252WV-S-12PD01	13.75	16.65	18.75
A1252WV-S-13PD01	15.00	17.90	20.00
A1252WV-S-14PD01	16.25	19.15	21.25
A1252WV-S-15PD01	17.50	20.40	22.50

Unit:mm

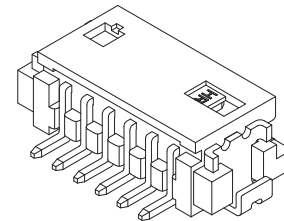
A1252WR-S

1.25mm pitch 90° Single Row Wafer - SMT TYPE

Reference Informations:

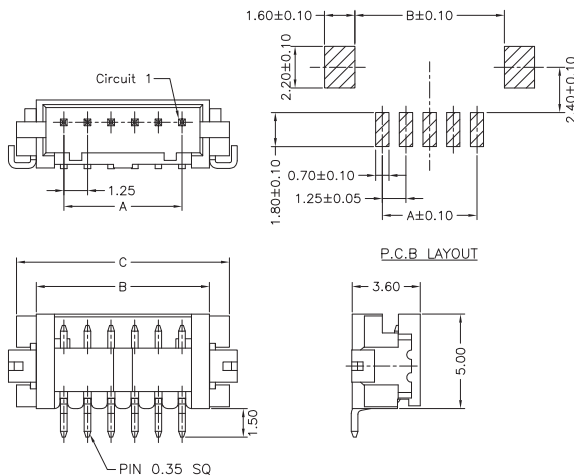
- *Material: Pin: Brass/Gold-flash
Solder Tabs: Phosphor Bronze/Gold-flash
Wafer: Nylon 6T,UL94V-0

*Mates with H.R A1252 series single row Housing



	A1252WR-S-05P	N	6	B	G1	G	00	R
		①	②	③	④	⑤	⑥	⑦

① N=Halogen Free
② Material: 6=Nylon 6T
③ Color: B=Black
④ Plating code: G1=Gold-flash
⑤ Plating code: G=Gold-flash
⑥ Option code: 00=Standard
⑦ Packing code: R=Tape & Reel



Ordering Information & Dimensions:

PART NO.	Dimensions		
	A	B	C
A1252WR-S-02PD01	1.25	4.15	6.25
A1252WR-S-03PD01	2.50	5.40	7.50
A1252WR-S-04PD01	3.75	6.65	8.75
A1252WR-S-05PD01	5.00	7.90	10.00
A1252WR-S-06PD01	6.25	9.15	11.25
A1252WR-S-07PD01	7.50	10.40	12.50
A1252WR-S-08PD01	8.75	11.65	13.75
A1252WR-S-09PD01	10.00	12.90	15.00
A1252WR-S-10PD01	11.25	14.15	16.25
A1252WR-S-11PD01	12.50	15.40	17.50
A1252WR-S-12PD01	13.75	16.65	18.75
A1252WR-S-13PD01	15.00	17.90	20.00
A1252WR-S-14PD01	16.25	19.15	21.25
A1252WR-S-15PD01	17.50	20.40	22.50

Unit:mm



A1252 SERIES

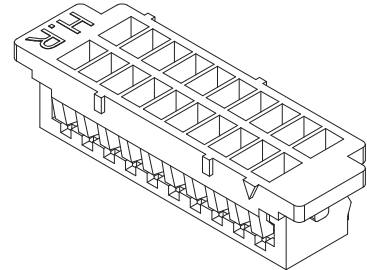
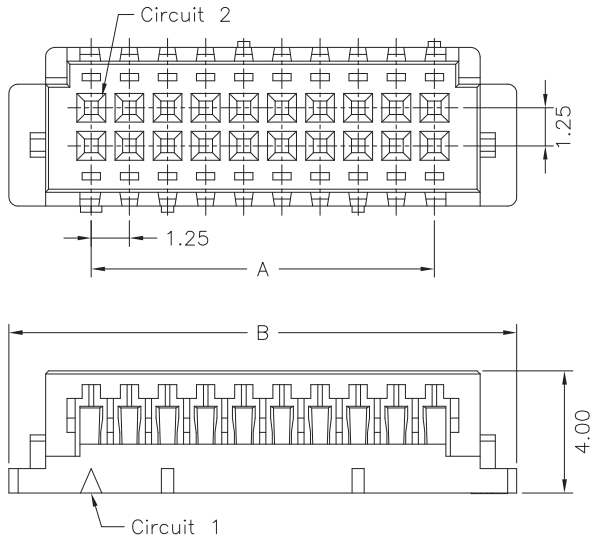
1.25mm pitch wire to board connector

A1252H-2

1.25mm pitch Dual Row Housing

Reference Informations:

- *Material: Nylon 66,UL94V-0
- *Suitable H.R A1252 series Terminal
- *Mates with H.R A1252 series dual row Wafer



Ordering Information & Dimensions:

PART NO.	Dimensions	
	A	B
A1252H-2X05P	5.00	10.40
A1252H-2X06P	6.25	11.65
A1252H-2X07P	7.50	12.90
A1252H-2X10P	11.25	16.65
A1252H-2X15P	17.50	22.90
A1252H-2X20P	23.75	29.15

Unit:mm

A1252WV-SF-2

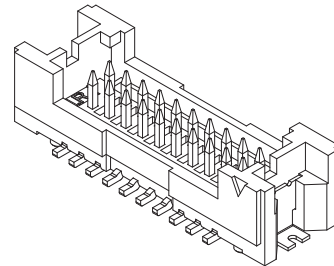
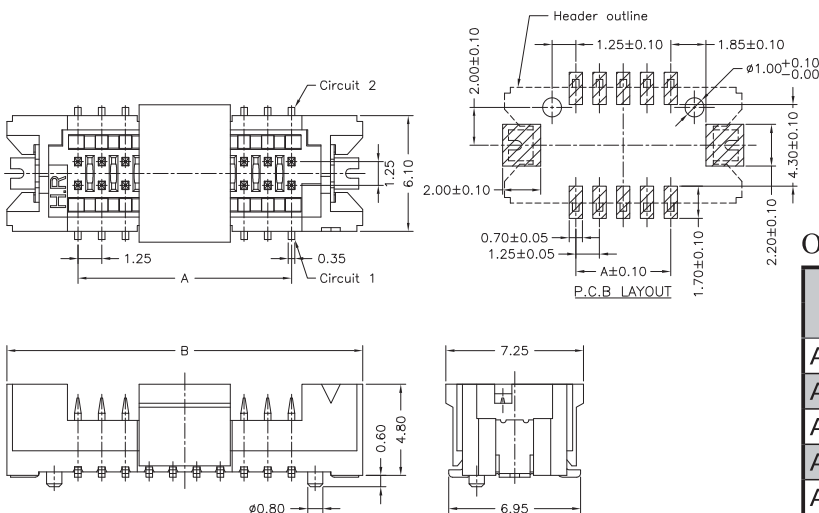
1.25mm pitch 180° Dual Row Wafer - SMT TYPE

Reference Informations:

- *Material: Pin: Brass/Gold-flash
Solder Tabs: Brass/Gold-flash
Wafer: Nylon 6T,UL94V-0
Cap: Nylon 6T,UL94V-0
- *Mates with H.R A1252 series dual row Housing

	A1252WV-SF-2X05P	N	6	B	G1	G	00	L
		①	②	③	④	⑤	⑥	⑦

① N=Halogen Free
② Material: 6=Nylon 6T
③ Color: B=Black
④ Plating code: G1=Gold-flash
⑤ Plating code: G=Gold-flash, T=Tin-plated
⑥ Option code: 00=Standard
⑦ Packing code: L=Tape & Reel(With Cap)



Ordering Information & Dimensions:

PART NO.	Dimensions	
	A	B
A1252WV-SF-2X05PD01	5.00	12.50
A1252WV-SF-2X06PD01	6.25	13.75
A1252WV-SF-2X07PD01	7.50	15.00
A1252WV-SF-2X10PD01	11.25	18.75
A1252WV-SF-2X15PD01	17.50	25.00
A1252WV-SF-2X17PD01	20.00	27.50
A1252WV-SF-2X20PD01	23.75	31.25

Unit:mm



A1252 SERIES

1.25mm pitch wire to board connector

A1252HA-2

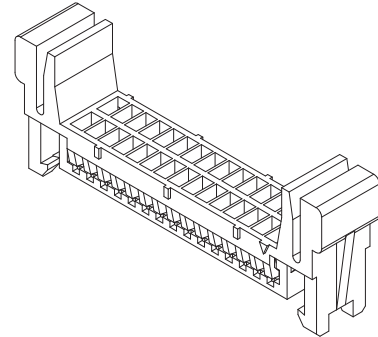
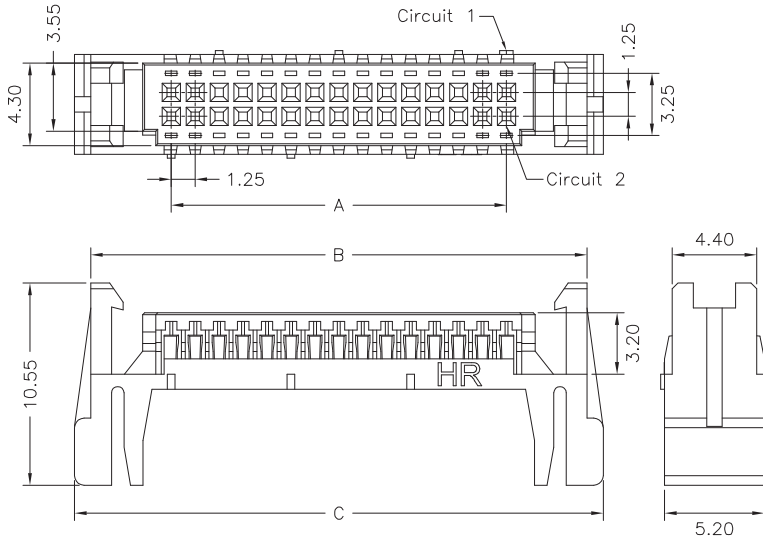
1.25mm pitch Dual Row Housing - LOCK TYPE

Reference Informations:

*Material: Nylon 66,UL94V-0

*Suitable H.R A1252 series Terminal

*Mates with H.R A1252 WVA series dual row Wafer



Ordering Information & Dimensions:

PART NO.	Dimensions		
	A	B	C
A1252HA-2X05P	5.00	13.40	15.10
A1252HA-2X06P	6.25	14.65	16.35
A1252HA-2X07P	7.50	15.90	17.60
A1252HA-2X10P	11.25	19.65	21.35
A1252HA-2X15P	17.50	25.90	27.60
A1252HA-2X20P	23.75	32.15	33.85

Unit:mm

A1252WVA-SF-2

1.25mm pitch 180° Dual Row Wafer - SMT TYPE

Reference Informations:

*Material: Pin: Brass/Gold-flash

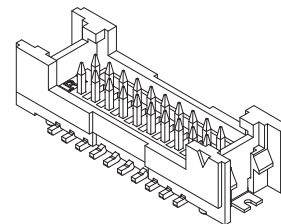
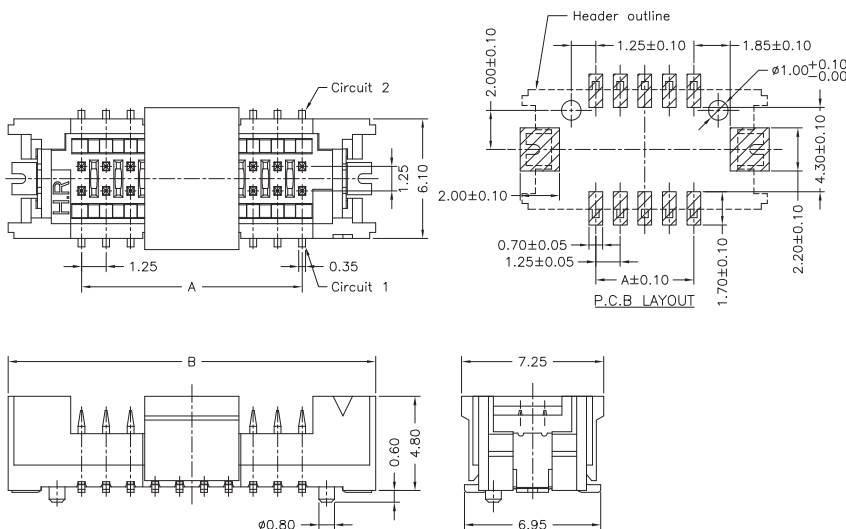
Solder Tabs: Brass/Gold-flash

Wafer: Nylon 6T,UL94V-0

Cap: Nylon 6T,UL94V-0

*Mates with H.R A1252HA series dual row Housing

A1252WVA-SF-2X05P	N	6	B	G1	G	00	L
①	N=Halogen Free	②	Material: 6=Nylon 6T	③	Color: B=Black	④	Plating code: G1=Gold-flash
⑤	Plating code: G=Gold-flash, T=Tin-plated	⑥	Option code: 00=Standard	⑦	Packing code: L=Tape & Reel(With Cap)		



Ordering Information & Dimensions:

PART NO.	Dimensions	
	A	B
A1252WVA-SF-2X05PD01	5.00	12.50
A1252WVA-SF-2X06PD01	6.25	13.75
A1252WVA-SF-2X07PD01	7.50	15.00
A1252WVA-SF-2X10PD01	11.25	18.75
A1252WVA-SF-2X15PD01	17.50	25.00
A1252WVA-SF-2X17PD01	20.00	27.75
A1252WVA-SF-2X20PD01	23.75	31.25

Unit:mm