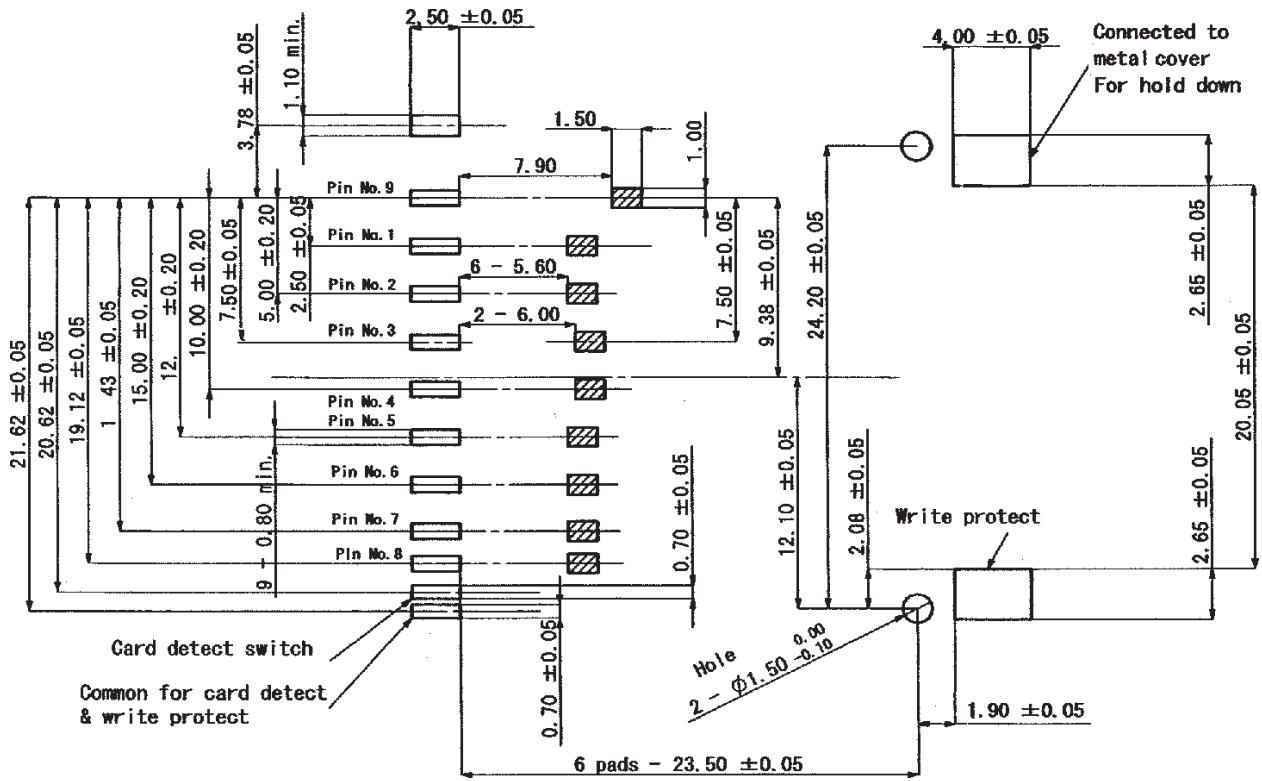


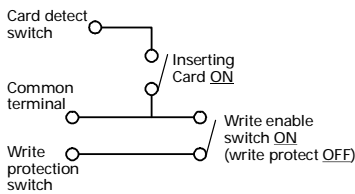


Recommended PCB Layout for FPS009-2405-0

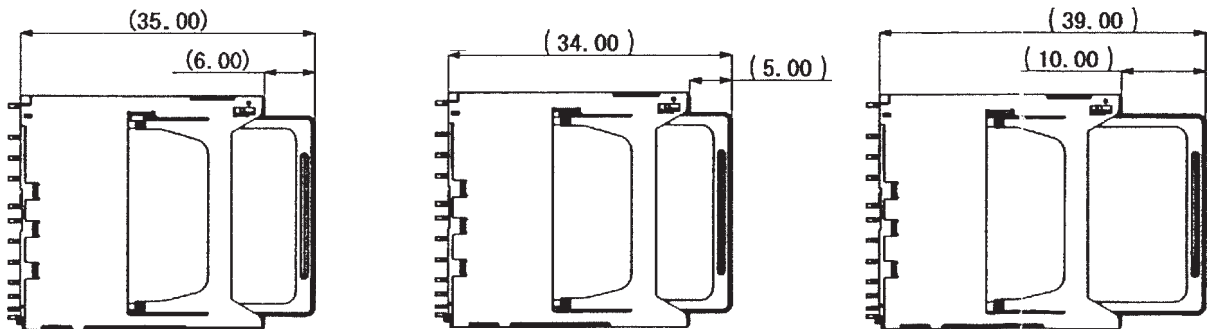
Top View



Circuit Diagram for Switch



Card Insertion Details



Card locked position

Card pushed position

Card eject position