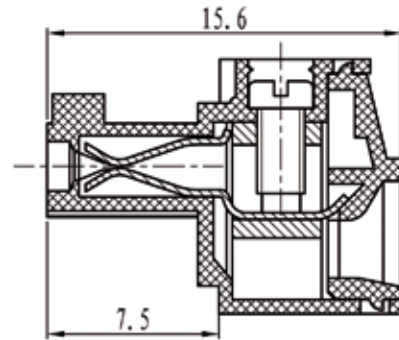
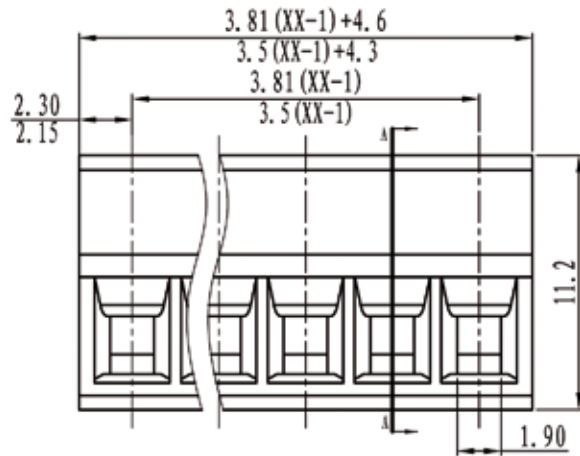
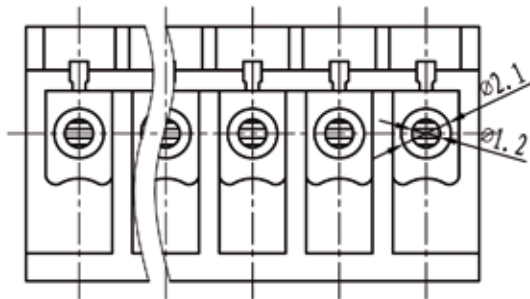


euro-block

product specification



SECTION A-A



TOLERANCES EXCEPT AS NOTED

	linear dimension					fillet	chamfer	∠ short angle sid				≡	—	□	//	⊥	
variable range	to 6	over 6 to 30	over 30 to 120	over 120 to 480	over 480	all	to 6	over 6 to 10	over 10 to 50	over 50 to 120	over 120	all	to 5	over 5 to 30	over 30 to 120	over 120	
tolerance	±0.1	±0.2	±0.3	±0.5	±0.9	±0.2	±0.5	±1	1°	30'	20'	10'	0.5	0.025	0.06	0.12	0.4

Electrical

Standard: UL-IEC
 Rated voltage: 125V-130V
 Rated current: 8A-7A
 Contact resistance: 20m Ω
 Wire range: 28-16AWG 1.5mm²
 Withstanding voltage: AC2000V/1Min
 Insulation resistance: 5000M Ω/DC1000V

Mechanical

Torque: 0.2Nm (1.7 Lb'in)
 Temp.Range: -40°C~+105°C
 Strip length: 6-7mm

Dimensions

Pitch: 3.81mm/3.5mm
 Poles: 2p-24p

Material

Housing: PA66, UL94V-0
 Screws: M2, steel Zinc plated
 Wire guard: Brass, Ni plated
 Clamp: Phosphor bronze, Ni plated

UNITS	mm	SIZE	A4	SCALE	FIRST ANGLE PROJECTION	
euro-block						
					NAME	CRF-3.5/3.81