



**LEDTRONICS, INC.®**  
THE FUTURE OF LIGHT



Direct Incandescent Replacement -- Up to 90% Energy Savings  
**24-LED MR16 TrackLED™ Light Bulb**

Ideal for use with Alternate and Renewable Energy resources like Solar & Wind Power

Major Energy Reduction, Reduces Light Pollution, "Dark Skies" Initiative Compatible

**Features**

- Easy Installation Using Existing Socket
- LED Operating Life: 100,000+ hrs (10+ years)
- Solid-State, Fast Turn On, No Power Surge
- High Shock / Vibration Resistant
- Major Power Savings
- Voltages Available 12/14V, 24V, 28V, 120VAC, 240VAC
- Major Reduction in Heat Generation
- Three-Year Lamp Warranty
- Choice of 13 Colors & Infrared

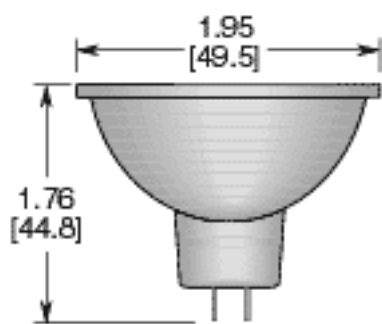
Only  
**1.5 - 2.0 Watts**

- May not work with dimmer circuits.
- For direct 12VDC line power source applications.
- Transformers must be regulated and the output voltage should not exceed 12VDC.

**Series MR16-24**



**Dimensions**



**Viewing Angle Options**



Mark To Order	Part Number	Retail Price (Volume Discount Available)	LED Color	Input Voltage	Power (Watts) (typ)	Illumination ** (End Lumens)	Intensity per LED I <sub>v</sub> (mcd) (typ)	λ <sub>p</sub> (nm)
	MR16-24-0UR-014N		UL RED	12/14V	1.5-2.0	48@15°	2000	660
	MR16-24-0ER-014S		SP RED	12/14V	1.5-2.0	100@22°	4200	639
	MR16-24-0UO-014N		SP ORANGE	12/14V	1.5-2.0	96@15°	4000	612
	MR16-24-0UY-014S		SP YELLOW	12/14V	1.5-2.0	90@15°	3750	595
	MR16-24-0PY-014N		SP P YELL	12/14V	1.5-2.0	60@22°	2500	594
	MR16-24-0YW-014S		YEL / WHITE	12/14V	1.5-2.0	108@20°	3K / 6K	592 / 8000K†
	MR16-24-0IW-014S		INC WHITE	12/14V	1.5-2.0	48@20°	2000	4500K†
	MR16-24-0CW-014S		Cool WHITE	12/14V	1.5-2.0	144@20°	6000	8000K†
	MR16-24-2CW-014S		Cool WHITE	12/14V	1.5-2.0	96@22°	4000	8000K†
	MR16-24-0UG-014N		L. GREEN	12/14V	1.5-2.0	24@15°	1000	570
	MR16-24-0AG-014N		AQ. GREEN	12/14V	1.5-2.0	240@15°	10,000	525
	MR16-24-1AG-014N		AQ. GREEN	12/14V	1.5-2.0	72@15°	3000	525
	MR16-24-2AG-014N		AQ. GREEN	12/14V	1.5-2.0	144@15°	6000	525
	MR16-24-0BG-014S		B. GREEN	12/14V	1.5-2.0	168@30°	3000	505
	MR16-24-1BG-014N		B. GREEN	12/14V	1.5-2.0	24@15°	1000	505
	MR16-24-2BG-014N		B. GREEN	12/14V	1.5-2.0	48@15°	2000	505
	MR16-24-0PB-014N		SP BLUE	12/14V	1.5-2.0	72@15°	3000	470
	MR16-24-1PB-014N		SP BLUE	12/14V	1.5-2.0	24@15°	1000	470
	MR16-24-2PB-014N		SP BLUE	12/14V	1.5-2.0	48@15°	2000	470
	MR16-24-0UB-014N		UL BLUE	12/14V	1.5-2.0	12@15°	500	430
	MR16-24-851-014N		INFRARED	12/14V	1.5-2.0	--	12mW†	850
	MR16-24-881-014N		INFRARED	12/14V	1.5-2.0	--	10mW†	880
	MR16-24-941-014N		INFRARED	12/14V	1.5-2.0	--	8mW†	940

**Custom Options for Large Quantity OEM requirements:**

For Other Voltages, Replace -014N with -024N (for 24VDC), -120AN (for 120VAC), -240AN (for 240VAC)

Replace N in Part Number with Required Viewing Angle Options

N - Narrow (12°) S - Standard (30°) M - Medium (50°) W - Extra Wide (120°)

\*\* 1 (one) End-Lumen is approximately 1 End-Footcandles, measurement for Narrow Angle (N)

† Infrared LED intensity is shown as typical milliwatt power per steradian

‡ Color Temperature (Kelvin Degrees)

(For more information, refer to Log #147A "[Common Light Measurement Terms](#)")