

100mA Low Dropout CMOS Voltage Regulators
DESCRIPTION

The XC6206 series are precise, low power consumption, high voltage; positive voltage regulators manufactured using CMOS and laser trimming technologies. The series provides large currents with a significantly small dropout voltage. The XC6206 consists of a current limiter circuit, a driver transistor, a precision reference voltage and an error correction circuit. The series is compatible with low ESR ceramic capacitors. The current limiter's foldback circuit also operates as a short protect for the output current limiter and the output pin. Output voltage can be set internally by laser trimming technologies. It is selectable in 100mV increments within a range of 1.2V to 5.0V. SOT-89-3, SOT-23-3, SOT353 and SOT23-3B packages are available.

FEATURES

- | | |
|--------------------------|---|
| ● Output Voltage Range | 1.2V to 5.0V (selectable in 100mV steps) |
| ● Highly Accurate | ± 2% |
| ● Dropout Voltage | 160mV @ 50mA (3.0V type) |
| ● Low Power Consumption | 2 μ A (TYP.) |
| ● Maximum Output Current | 100mA ($V_{in} \geq V_{out} + 1V$) |
| ● Internal protector | current limiter and short protector |
| ● Small packages | SOT-89-3, SOT-23-3, SOT23-3B, SOT353 and other required |

APPLICATIONS

- Battery powered equipment
- Reference voltage sources
- Cameras, Video cameras
- Mobile phones
- Communication tools

PACKAGE

- SOT-89-3
- SOT-23-3, SOT23-3B
- SOT353
- Other required

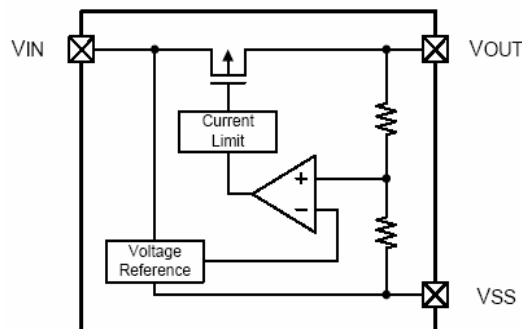
BLOCK DIAGRAM


Figure 1

100mA Low Dropout CMOS Voltage Regulators
■ ABSOLUTE MAXIMUM RATINGS

PARAMETER	SYMBOL	MAXIMUM RATING		UNIT
Input Voltage	V_{IN}	$V_{SS}-0.3 \sim V_{SS}+6$		V
Output Current	V_{OUT}	$V_{SS}-0.3 \sim V_{IN}+0.3$		
Power Dissipation	P_D	SOT-23-3, SOT23-3B	250	mW
		SOT353	250	
		SOT-89-3	500	
Operating Ambient Temperature	T_{opr}	-40 ~ +85		°C
Storage Temperature	T_{stg}	-40 ~ +125		

Caution: The absolute maximum ratings are rated values exceeding which the product could suffer physical damage. These values must therefore not be exceeded under any conditions.

■ Electrical Characteristics

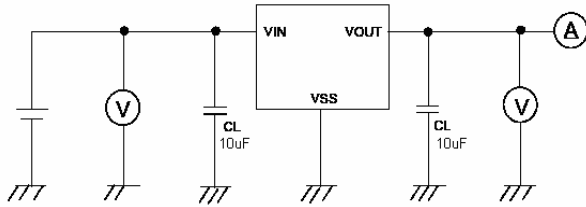
Item	Symbol	Condition	MIN	TYP	MAX	UNIT	CIRCUIT	
Output Voltage	$V_{OUT(E)1}$	$V_{IN} = V_{OUT(S)} + 1.0 \text{ V}$, $I_{OUT} = 1 \text{ mA}$	$V_{OUT(S)} \times 0.98$	$V_{OUT(S)}$	$V_{OUT(S)} \times 1.02$	V	1	
Output Current	I_{OUT}	$V_{IN} \geq V_{OUT(S)} + 1.0 \text{ V}$	100	—	—	mA	1	
Dropout Voltage	V_{drop}	$I_{OUT} = 50 \text{ mA}$	$1.5 \text{ V} \leq V_{OUT(S)} \leq 2.5 \text{ V}$	—	0.20	0.28	V	1
			$2.6 \text{ V} \leq V_{OUT(S)} \leq 3.3 \text{ V}$	—	0.16	0.24		
			$3.4 \text{ V} \leq V_{OUT(S)} \leq 5.0 \text{ V}$	—	0.12	0.20		
Line Regulations	$\frac{\Delta V_{OUT1}}{\Delta V_{IN} \cdot V_{OUT}}$	$V_{OUT(S)} + 0.5 \text{ V} \leq V_{IN} \leq 5.5 \text{ V}$ $I_{OUT} = 1 \text{ mA}$	—	0.05	0.3	%/V	1	
Input Voltage	ΔV_{OUT2}	$V_{IN} = V_{OUT(S)} + 1.0 \text{ V}$ $1.0 \text{ mA} \leq I_{OUT} \leq 50 \text{ mA}$	—	20	40	mV	1	
Output Voltage Temperature Characteristics	$\frac{\Delta V_{OUT}}{\Delta T_a \cdot V_{OUT}}$	$V_{IN} = V_{OUT(S)} + 1.0 \text{ V}$, $I_{OUT} = 10 \text{ mA}$ $-40^\circ\text{C} \leq T_a \leq 85^\circ\text{C}$	—	± 100	—	ppm/°C	1	
Supply Current	I_{SS1}	$V_{IN} = V_{OUT(S)} + 1.0 \text{ V}$	—	2	—	μA	2	
Input Voltage	V_{IN}	—	1.8	—	6	V	—	
Ripple-Rejection	RR	$V_{IN} = V_{OUT(S)} + 1.0 \text{ V}$, $f = 1.0 \text{ kHz}$ $V_{rip} = 0.5 \text{ V}_{rms}$, $I_{OUT} = 10 \text{ mA}$	—	40	—	dB	1	
Short current	I_{short}	$V_{IN} = V_{OUT(S)} + 1.5 \text{ V}$,	—	30	—	mA	1	
Current Limiter	I_{lim}	$V_{IN} = V_{OUT(S)} + 1.5 \text{ V}$,	—	380	—	mA	1	

Figure 1

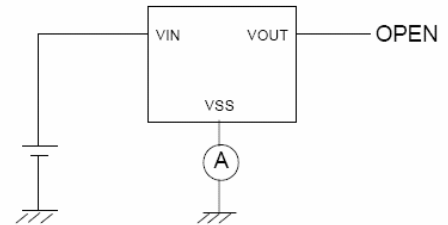
100mA Low Dropout CMOS Voltage Regulators

■ TEST CIRCUITS

Circuit ①

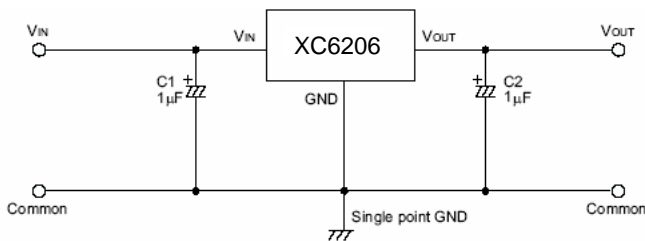


Circuit ②

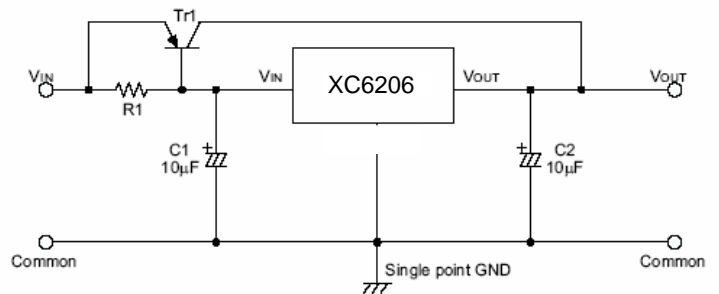


■ TYPICAL APPLICATION CIRCUIT

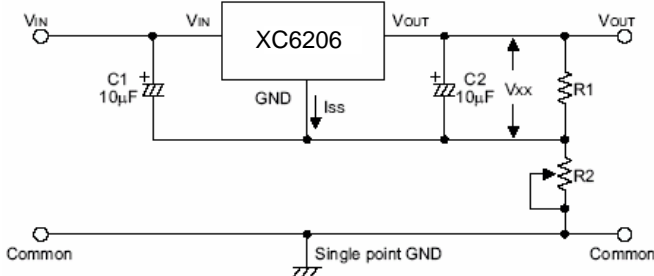
1、Basic circuit



2、High output current positive voltage regulator

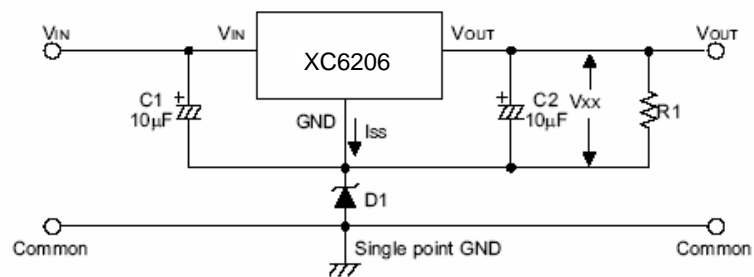


3、Circuit for increasing output voltage



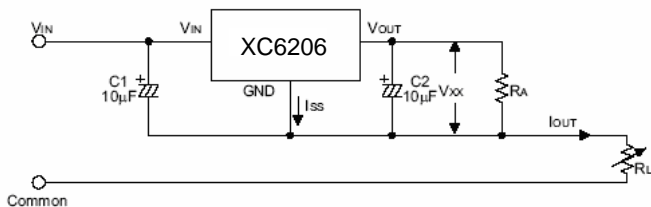
$$V_{OUT} = V_{XX} \left(1 + \frac{R2}{R1} \right) + I_{SS} R2$$

4、Circuit for increasing output voltage



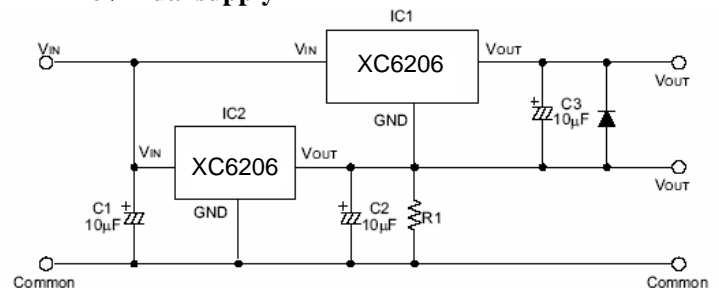
$$V_{OUT} = V_{XX} + V_{D1}$$

5、Constant current regulator



$$I_{OUT} = \frac{V_{XX}}{R_A} + I_{SS}$$

6、Dual supply



Caution The above connection diagram and constant will not guarantee successful operation. Perform thorough evaluation using the actual application to set the constants.

Figure 1

100mA Low Dropout CMOS Voltage Regulators

■ Application Conditions

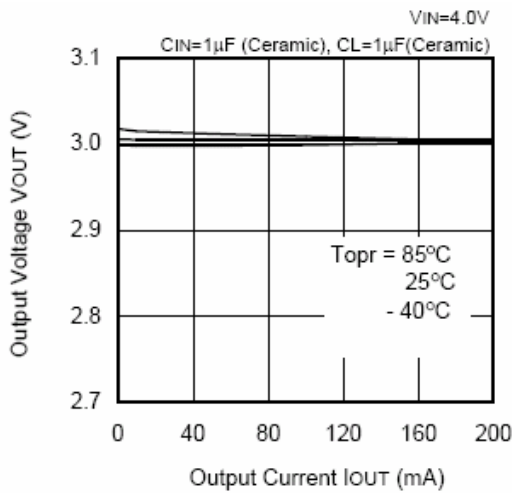
Input capacitor (CIN): 1.0 μ F or more

Output capacitor (CL): 0.1 μ F or more (tantalum capacitor)

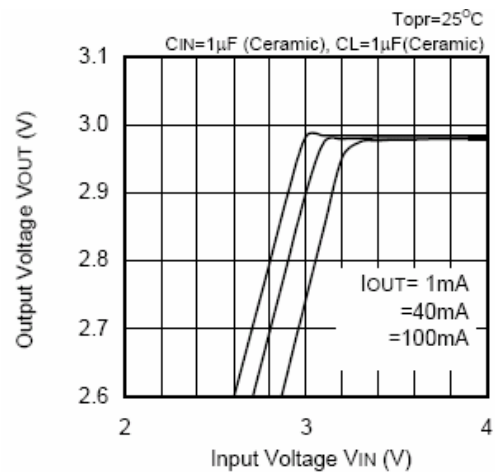
Caution A general series regulator may oscillate, depending on the external components selected. Check that no oscillation occurs with the application using the above capacitor.

■ TYPICAL PERFORMANCE CHARACTERISTICS (3.0V output)

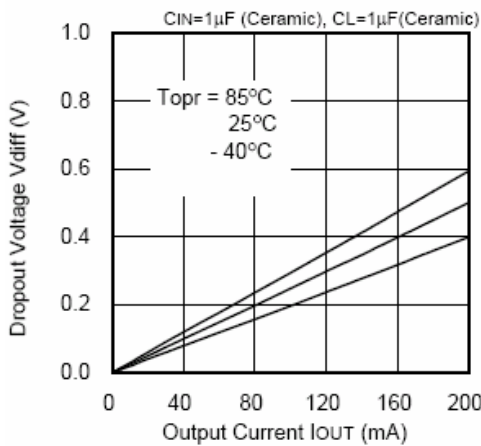
1. Output Voltage vs. Output Current



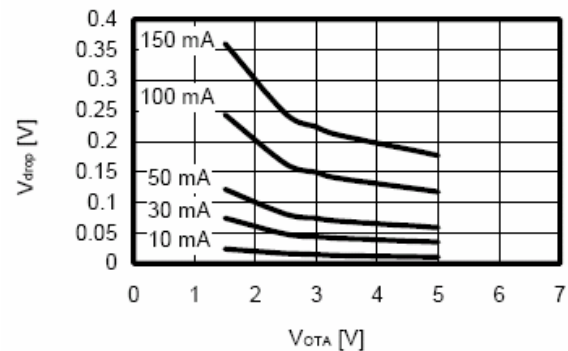
2. Output Voltage vs. Input Voltage



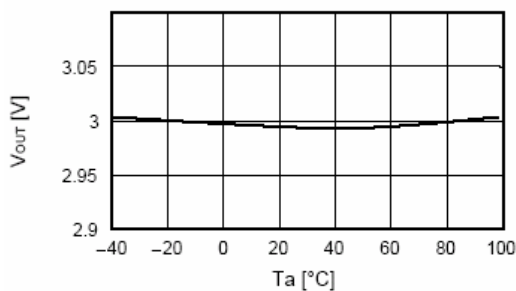
3. Dropout Voltage vs. Output Current



4. Dropout Voltage vs. Output Voltage



5. Output Voltage vs. Ambient Temperature



6. Ripple Rejection Rate

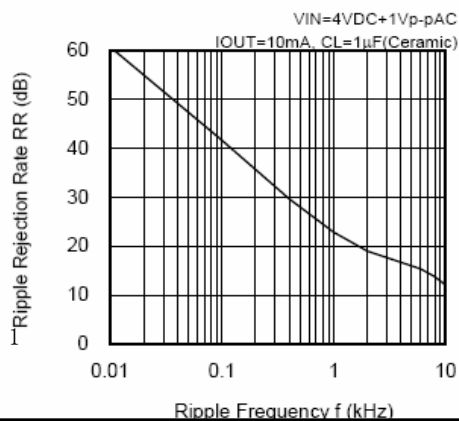
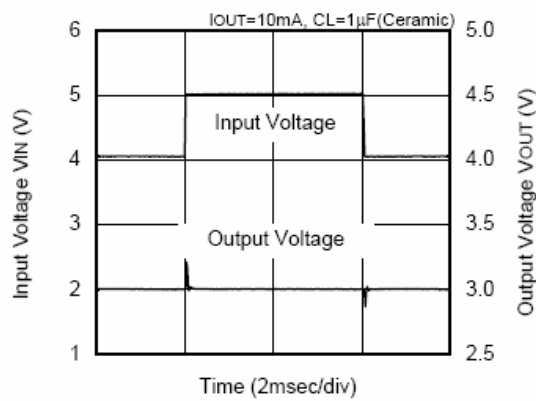
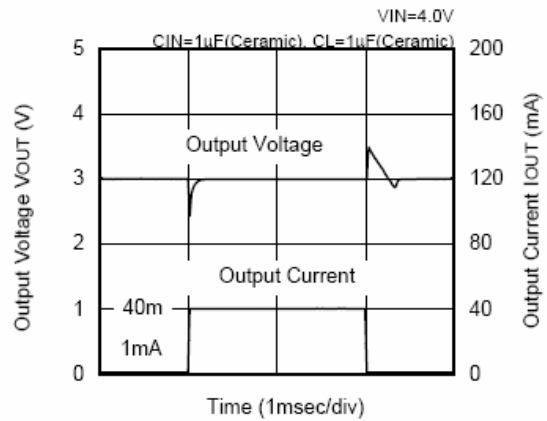


Figure 1

100mA Low Dropout CMOS Voltage Regulators
7. Transient Response
Input Transient Response

Load Transient Response

ORDERING INFORMATION

XC6206P①②③④⑤

DESIGNATOR	SYMBOL	DESCRIPTION
① ②	Integer	Output Voltage: e. g. ① =3, ② =0 ⇨ 3.0V
③	2	Accuracy: within $\pm 2\%$
④	M	SOT-23
	P	SOT-89
	K	SOT353
	V	SOT23-3B
⑤	R	Embossed Tape: Standard Feed
	L	Embossed Tape: Reverse Feed

MARKING RULE

SOT-23, SOT23-3B & SOT-89

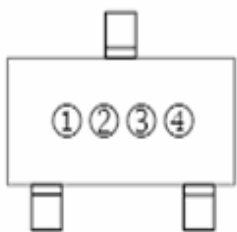
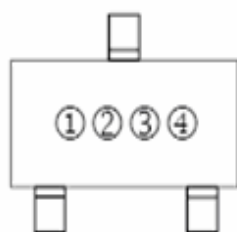
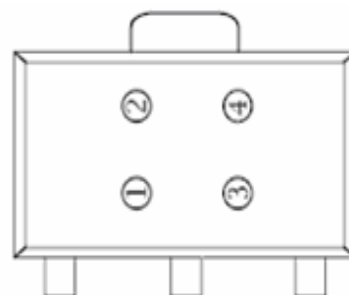
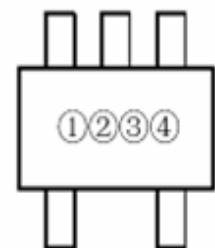

SOT23-3B(TOP VIEW)

SOT-23 (TOP VIEW)

SOT-89 (TOP VIEW)

SOT353 (TOP VIEW)

Figure 1

100mA Low Dropout CMOS Voltage Regulators

① Represents product series

SYMBOL	PRODUCT SERIES
6	XC6206Pxxxxx

② Represents the type of regulator

VOLTAGE (V)	0.1~3.0	3.1~6.0	6.1~9.0
SYMBOL	5	6	7

③ Represents the Output Voltage

SYMBOL	OUTPUT VOLTAGE (V)			SYMBOL	OUTPUT VOLTAGE (V)		
0	-	3.1	-	F	1.6	4.6	-
1	-	3.2	-	H	1.7	4.7	-
2	-	3.3	-	K	1.8	4.8	-
3	-	3.4	-	L	1.9	4.9	-
4	-	3.5	-	M	2	5.0	-
5	-	3.6	-	N	2.1	5.1	-
6	-	3.7	-	P	2.2	5.2	-
7	-	3.8	-	R	2.3	5.3	-
8	-	3.9	-	S	2.4	5.4	-
9	-	4	-	T	2.5	5.5	-
A	-	4.1	-	U	2.6	5.6	-
B	1.2	4.2	-	V	2.7	5.7	-
C	1.3	4.3	-	X	2.8	5.8	-
D	1.4	4.4	-	Y	2.9	5.9	-
E	1.5	4.5	-	Z	3	6.0	-

④ Represents the assembly lot no.

0~9, A~Z repeated (G, I, J, O, Q, W excepted)

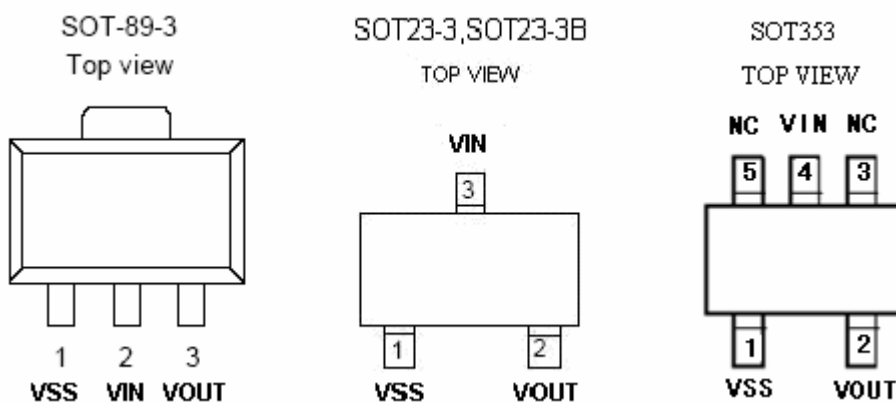
■ PIN CONFIGURATION


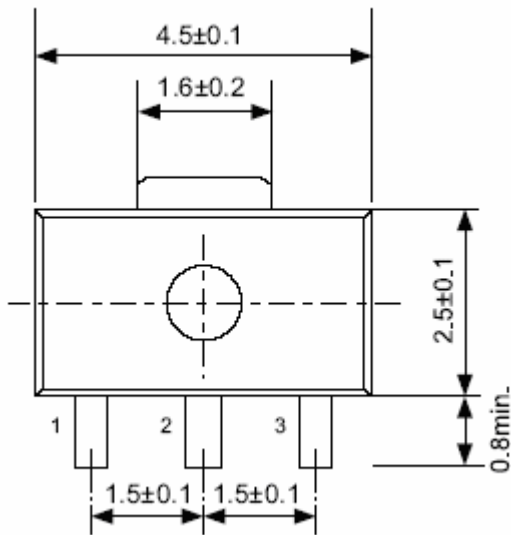
Figure 1

Remark Please contact the Natlinear marketing department for other packages.

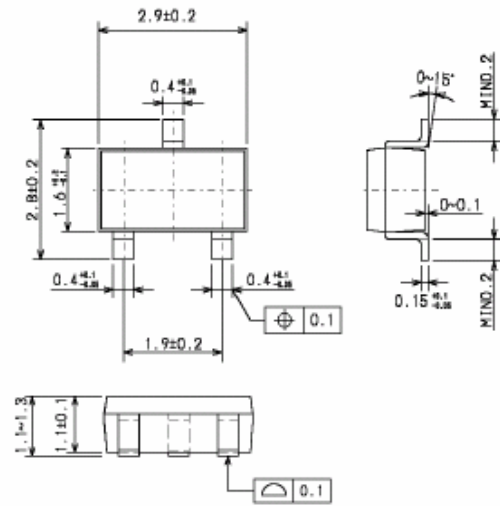
100mA Low Dropout CMOS Voltage Regulators

■ PACKAGING INFORMATION

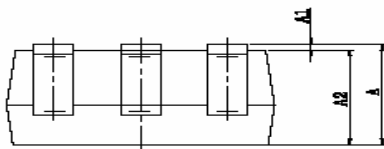
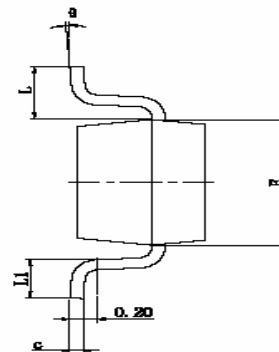
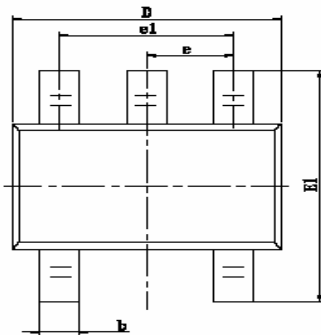
SOT-89-3



SOT23-3/SOT23-3B



SOT353



Symbol	Dimensions In Millimeters		Dimensions In Inches	
	Min	Max	Min	Max
A	0.900	1.100	0.035	0.043
A1	0.000	0.100	0.000	0.004
A2	0.900	1.000	0.035	0.039
b	0.150	0.350	0.006	0.014
c	0.080	0.150	0.003	0.006
D	2.000	2.200	0.079	0.087
E	1.150	1.350	0.045	0.053
E1	2.150	2.450	0.085	0.096
e	0.650 TYP		0.026 TYP	
e1	1.200	1.400	0.047	0.055
L	0.525 REF ^{Figure 1}		0.021 REF	
L1	0.260	0.460	0.010	0.018
θ	0°	8°	0°	8°