

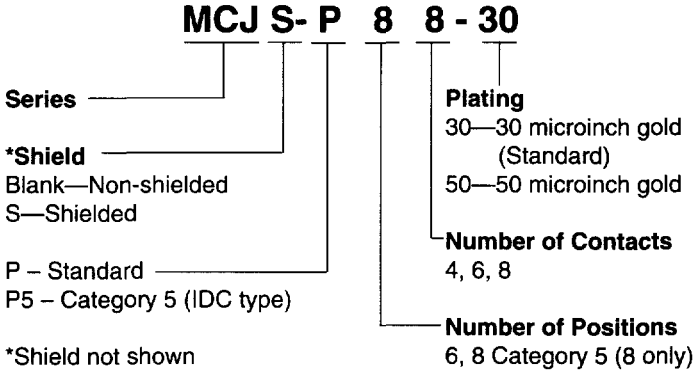
**MODULAR JACK CONNECTORS**

**MCJ-P Series**  
**IDC Panel Jack**

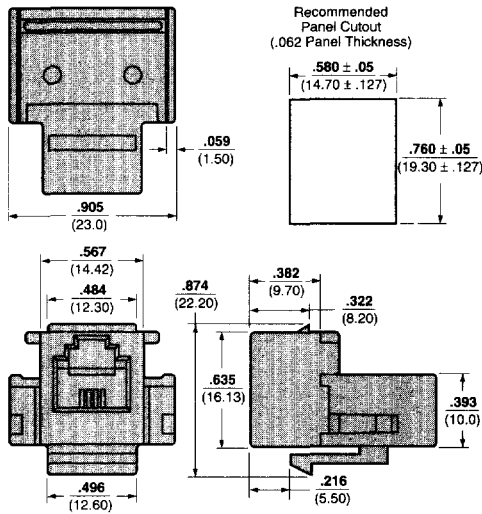
**FEATURES**

- Meets FCC specifications
- UL and CSA approved E107337 and E145613
- Meets Category 5 Next TSB 40

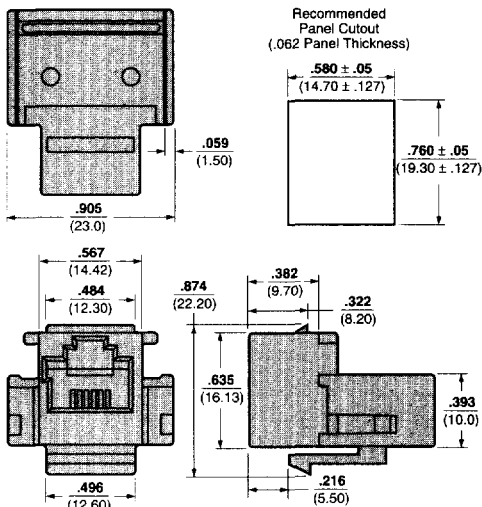
**HOW TO ORDER**



**DIMENSIONS — 6 POSTION 4 CONTACT**



**DIMENSIONS — 6 POSTION 6 CONTACT**



**MAXCONN**

**Performance Specifications**

**Materials and Finish**

Housing: Glass filled polyester, UL 94V-0 rated, black

Contacts: 0.35mm Phosphor bronze, gold plated

**Mechanical Characteristics**

Durability: 1000 mating cycles

Contact Engagement Force: 1.60 ounces, maximum

**Electrical Characteristics**

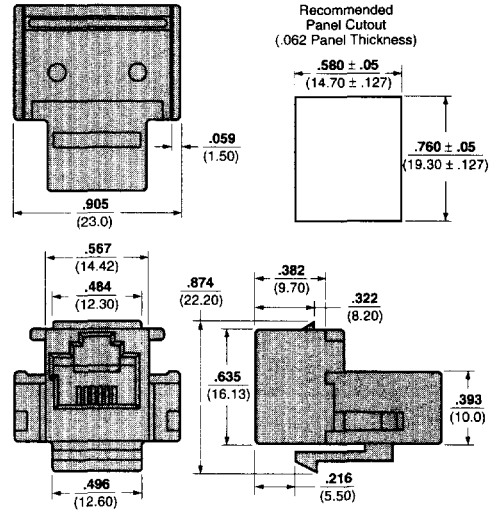
Current/Voltage: 150 Vac at 1.5 amps maximum at 25°C

Dielectric Withstanding Voltage: 1000 Vac RMS minimum, 60 Hz

Insulation Resistance: 500 megohms minimum

Operating Temperature: -55° C to + 125° C

**DIMENSIONS — 8 POSTION 6 CONTACT**



**DIMENSIONS — 8 POSTION 8 CONTACT**

