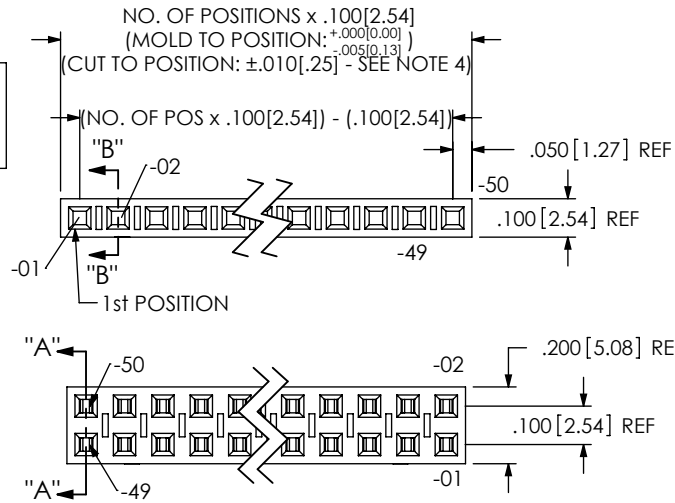


DO NOT SCALE FROM THIS PRINT



- PLATING SPECIFICATIONS (SEE TABLE 1)
- T: MATTE TIN CONTACT AND TAIL
  - L: 10μ" LIGHT SELECTIVE GOLD IN CONTACT AREA, MATTE TIN ON TAIL
  - F: 3μ" FLASH SELECTIVE GOLD CONTACT AREA, MATTE TIN ON TAIL
  - S: 30μ" SELECTIVE GOLD IN CONTACT AREA, MATTE TIN ON TAIL
  - H: 30μ" HEAVY GOLD IN CONTACT AREA, 3μ" GOLD ON TAIL
  - SM: 30μ" SELECTIVE GOLD IN CONTACT AREA, MATTE TIN ON TAIL
  - TM: MATTE TIN CONTACT AND TAIL
  - LM: 10μ" LIGHT SELECTIVE GOLD IN CONTACT AREA, MATTE TIN ON TAIL
  - FM: 3μ" FLASH SELECTIVE GOLD IN CONTACT AREA, MATTE TIN ON TAIL
  - LTL: 10μ" LIGHT SELECTIVE GOLD IN CONTACT AREA, TIN LEAD (90/10 +/-5%) ON TAIL
- ENTRY SPECIFICATION
- DE: DUAL ENTRY (SEE TABLE 1)
  - TE: TOP ENTRY (SEE TABLE 1)
  - HE: HORIZONTAL ENTRY (SEE TABLE 1)
  - PE: PASS-THROUGH ENTRY (SEE TABLE 1)
  - DE-BE: (SEE TABLE 1)
  - PE-BE: (SEE TABLE 1)
- BODY SPECIFICATION
- S: SINGLE ROW (SEE TABLE 1)
  - D: DOUBLE ROW (SEE TABLE 1)
- POLARIZING OPTION  
INSERT PK-06-N INTO SPECIFIED POS AND BREAK OFF TAB (NOT AVAILABLE FOR -BE OPTION)
- No Of POSITIONS  
-01 THRU -50

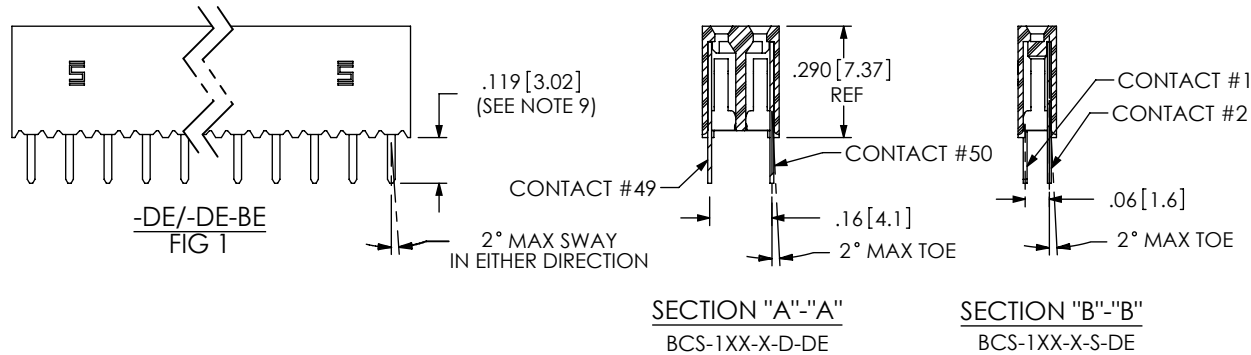
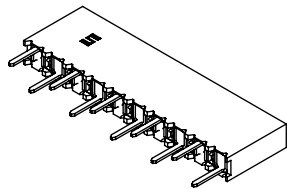
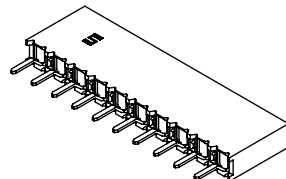


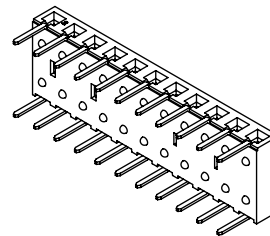
TABLE 1			
ENTRY SPEC	BODY SPEC	CONTACT #1	CONTACT #2
-S-DE (SEE FIG.1)	SSM-XX-S	C-95-01-X	-----
-D-DE (SEE FIG.1)	SSM-XX-D	C-95-01-X	-----
-S-TE (SEE FIG.3)	SSM-XX-S	C-95-09-X	-----
-D-TE (SEE FIG.3)	SSM-XX-D	C-95-09-XXX	-----
-S-HE (SEE FIG.2)	BCH-XX-S	C-58-05-X	-----
-D-HE (SEE FIG.2)	BCH-XX-D	C-58-04-X	C-58-03-X
-S-PE (SEE FIG.4)	SSM-XX-S	C-166-10-X	-----
-D-PE (SEE FIG.4)	SSM-XX-D	C-166-10-X	-----
-S-DE-BE (SEE FIG.1)	SSM-XX-S-BE	C-95-01-X	-----
-D-DE-BE (SEE FIG.1)	SSM-XX-D	C-95-01-X	-----
-S-PE-BE (SEE FIG.4)	SSM-XX-S-BE	C-166-10-X	-----
-D-PE-BE (SEE FIG.4)	SSM-XX-D	C-166-10-X	-----



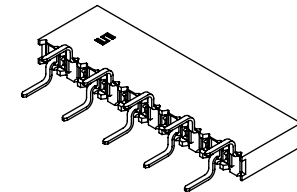
(-DE TAIL ORIENTATION)



(-TE TAIL ORIENTATION)



(-HE TAIL ORIENTATION)



(-PE TAIL ORIENTATION)

NOTES:

- ⊕ REPRESENTS CRITICAL DIM. FOR STATISTICAL PROCESS CONTROL.
- PUSHOUT FORCE TO BE: 1 lb. MIN.
- [ ] DIMENSIONS ARE IN MILLIMETERS.
- MIN WALL THICKNESS ON CUT PARTS: .009 [.23].
- CUT PARTS TO BE SYMMETRICAL ABOUT C.
- 1st POSITION WILL ALWAYS POINT UP ON TOP VIEW AS SHOWN.
- 1 THROUGH 4 POSITIONS ARE TO BE LAYER PACKAGED, 5 THROUGH 50 POSITIONS ARE TO BE TUBED FOR ALL ENTRY SPECIFICATION EXCEPT BCS-S-HE.FOR BCS-S-HE, 1 THROUGH 3 POSITIONS ARE TO BE LAYER PACKAGED, 4 THROUGH 50 POSITIONS ARE TO BE TUBED.
- DAMAGE TO THE CUT SURFACE CAN NOT EFFECT LEAD-IN OF THE CORES.
- MAX VARIATION WITHIN A ROW: .006 [.15]  
MAX VARIATION FROM ROW TO ROW: .012 [.30]

UNLESS OTHERWISE SPECIFIED, DIMENSIONS ARE IN INCHES.  
TOLERANCES ARE:  
DECIMALS ANGLES  
.XX: ±.01 [.3] 2°  
.XXX: ±.005 [.13]  
.XXXX: ±.0020 [.051]

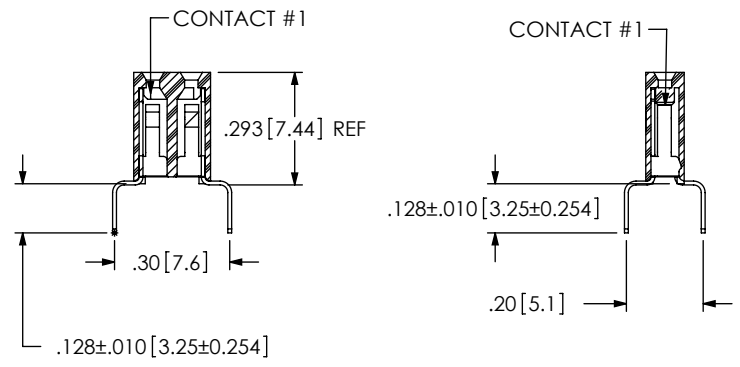
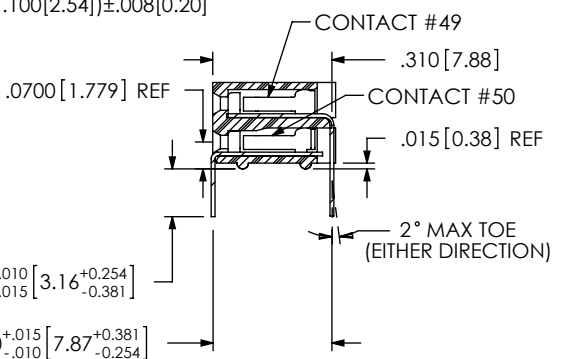
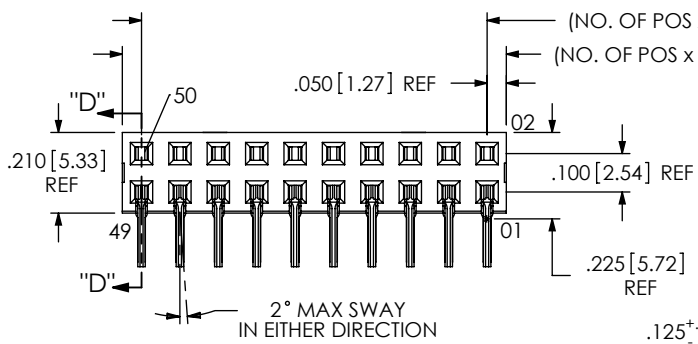
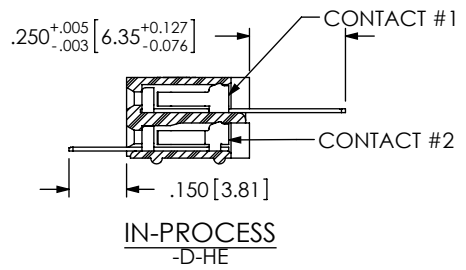
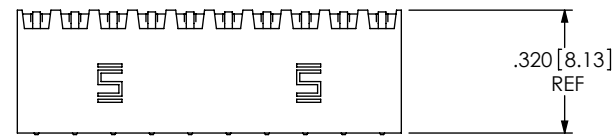
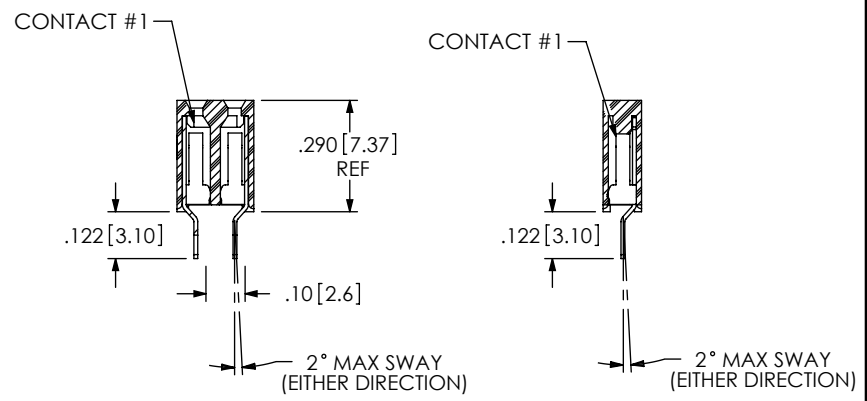
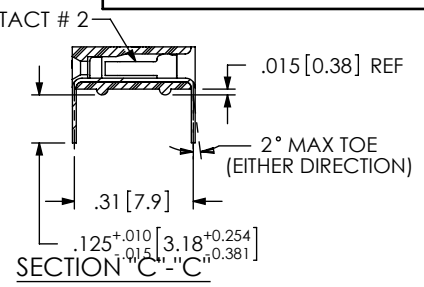
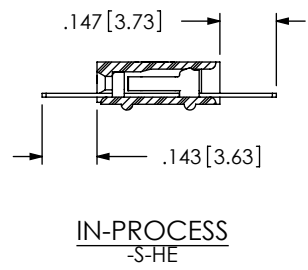
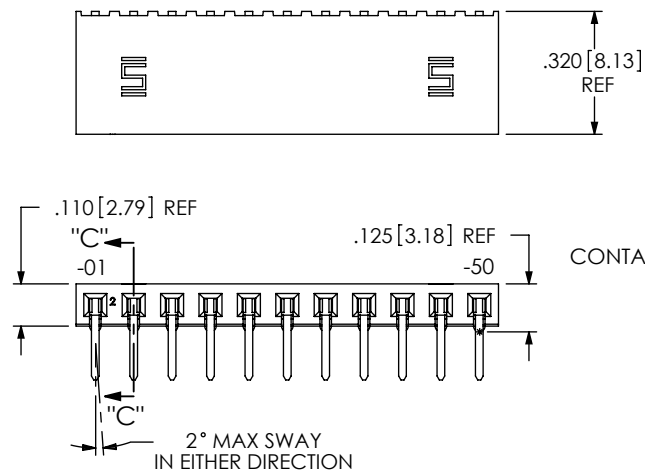
PROPRIETARY NOTE  
THIS DOCUMENT CONTAINS INFORMATION CONFIDENTIAL AND PROPRIETARY TO SAMTEC, INC. AND SHALL NOT BE REPRODUCED OR TRANSFERRED TO OTHER DOCUMENTS OR DISCLOSED TO OTHERS OR USED FOR ANY PURPOSE OTHER THAN THAT WHICH IT WAS OBTAINED WITHOUT THE EXPRESSED WRITTEN CONSENT OF SAMTEC, INC.



520 PARK EAST BLVD. NEW ALBANY, IN 47150  
PHONE: 812-944-6733 FAX: 812-948-5047  
e-Mail: info@SAMTEC.com code 55322

MATERIAL: DO NOT SCALE DRAWING SHEET SCALE: 2:1  
INSULATOR: GLASS FILLED LCP UL 94 VO, COLOR: BLACK  
CONTACT: PHOS. BRONZE

DESCRIPTION: BOX CONNECTOR SOCKET STRIP  
DWG. NO. BCS-1XX-XXX-X-XX-XXX  
BY: KOLB 09/12/1991 SHEET 1 OF 3



PROPRIETARY NOTE  
THIS DOCUMENT CONTAINS INFORMATION  
CONFIDENTIAL AND PROPRIETARY TO  
SAMTEC, INC. AND SHALL NOT BE REPRODUCED  
OR TRANSFERRED TO OTHER DOCUMENTS OR  
DISCLOSED TO OTHERS OR USED FOR ANY  
PURPOSE OTHER THAN THAT WHICH IT WAS  
OBTAINED WITHOUT THE EXPRESSED WRITTEN  
CONSENT OF SAMTEC, INC.

**samtec**  
520 PARK EAST BLVD, NEW ALBANY, IN 47150  
PHONE: 812-944-6733 FAX: 812-948-5047  
e-Mail info@SAMTEC.com code 55322

DO NOT SCALE DRAWING  
SHEET SCALE: 2:1

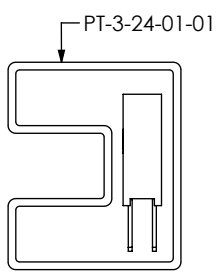
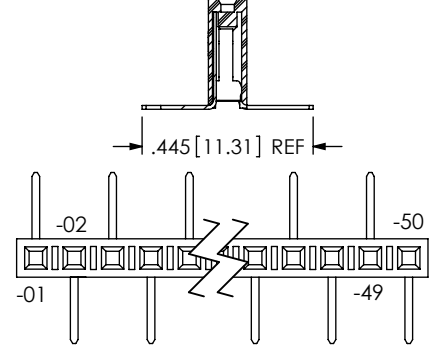
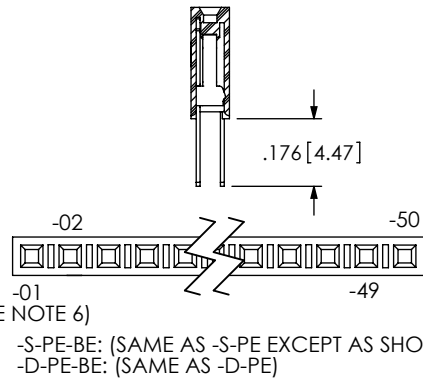
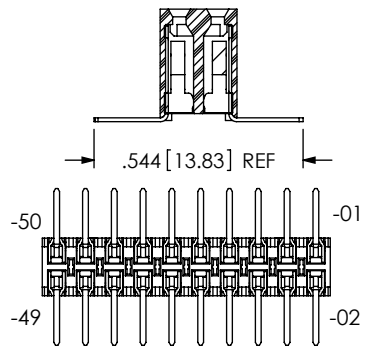
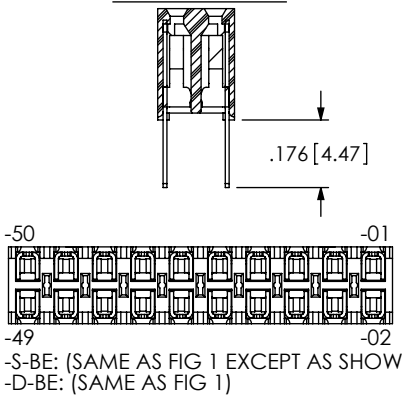
DESCRIPTION: BOX CONNECTOR SOCKET STRIP  
DWG. NO. BCS-1XX-XXX-X-XX-XXX  
BY: KOLB 09/12/1991 SHEET 2 OF 3

IN-PROCESS 1

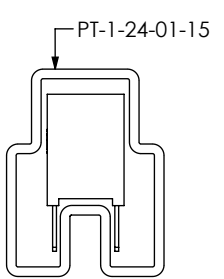
IN-PROCESS 2

IN-PROCESS 1

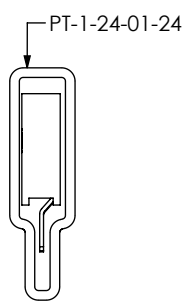
IN-PROCESS 2



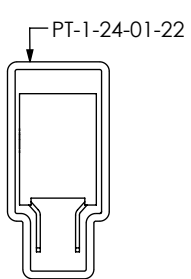
BCS-S-DE  
BCS-S-DE-BE



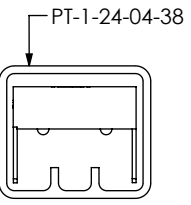
BCS-D-PE  
BCS-D-PE  
BCS-D-PE-BE  
BCS-D-PE-DE-BE



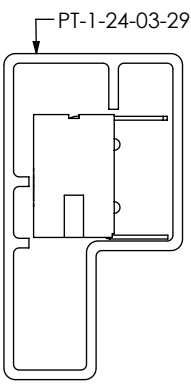
BCS-S-TE



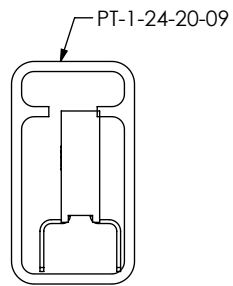
BCS-D-TE



BCS-S-HE  
(SEE NOTE 7)



BCS-D-HE



BCS-S-PE  
BCS-S-PE-BE

PART NUMBER	TUBE	PLUG
BCS-S-DE	PT-3-24-01-01	TP-03 (2)
BCS-D-DE	PT-1-24-01-15	TP-03 (2)
BCS-S-TE	PT-1-24-01-24	TP-24 (2)
BCS-D-TE	PT-1-24-01-22	TP-03 (2)
BCS-S-HE	PT-1-24-04-38	TP-03 (2)
BCS-D-HE	PT-1-24-03-29	TP-29 (2)
BCS-S-PE	PT-1-24-20-09	TP-09 (2)
BCS-D-PE	PT-1-24-01-15	TP-03 (2)
BCS-S-DE-BE	PT-3-24-01-01	TP-03 (2)
BCS-D-DE-BE	PT-1-24-01-15	TP-03 (2)
BCS-S-PE-BE	PT-1-24-20-09	TP-09 (2)
BCS-D-PE-BE	PT-1-24-01-15	TP-03 (2)

**PROPRIETARY NOTE**  
THIS DOCUMENT CONTAINS INFORMATION CONFIDENTIAL AND PROPRIETARY TO SAMTEC, INC. AND SHALL NOT BE REPRODUCED OR TRANSFERRED TO OTHER DOCUMENTS OR DISCLOSED TO OTHERS OR USED FOR ANY PURPOSE OTHER THAN THAT WHICH IT WAS OBTAINED WITHOUT THE EXPRESSED WRITTEN CONSENT OF SAMTEC, INC.

DO NOT SCALE DRAWING

SHEET SCALE: 2:1



520 PARK EAST BLVD, NEW ALBANY, IN 47150  
PHONE: 812-944-6733 FAX: 812-948-5047  
e-Mail: info@SAMTEC.com code 55322

DESCRIPTION: BOX CONNECTOR SOCKET STRIP

DWG. NO. BCS-1XX-XXX-X-XX-XXX

BY: KOLB 09/12/1991 SHEET 3 OF 3