

SPECIFICATIONS

DDR Connector

Mechanical

Contact Retention Force: 0.75Lbs (0.34kg) min.
Durability: 25 Cycles
Vibration: Pass MIL-STD-1344A, Method 2005 Condition I

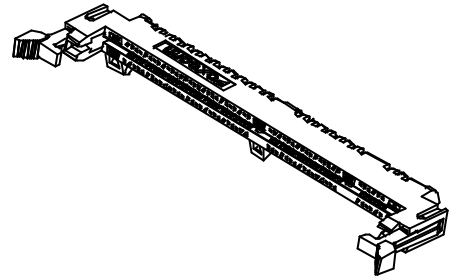
AU250 Series
25 Degree, T/H Type
1.27mm [.050"] Pitch
100 Pos.

Electrical

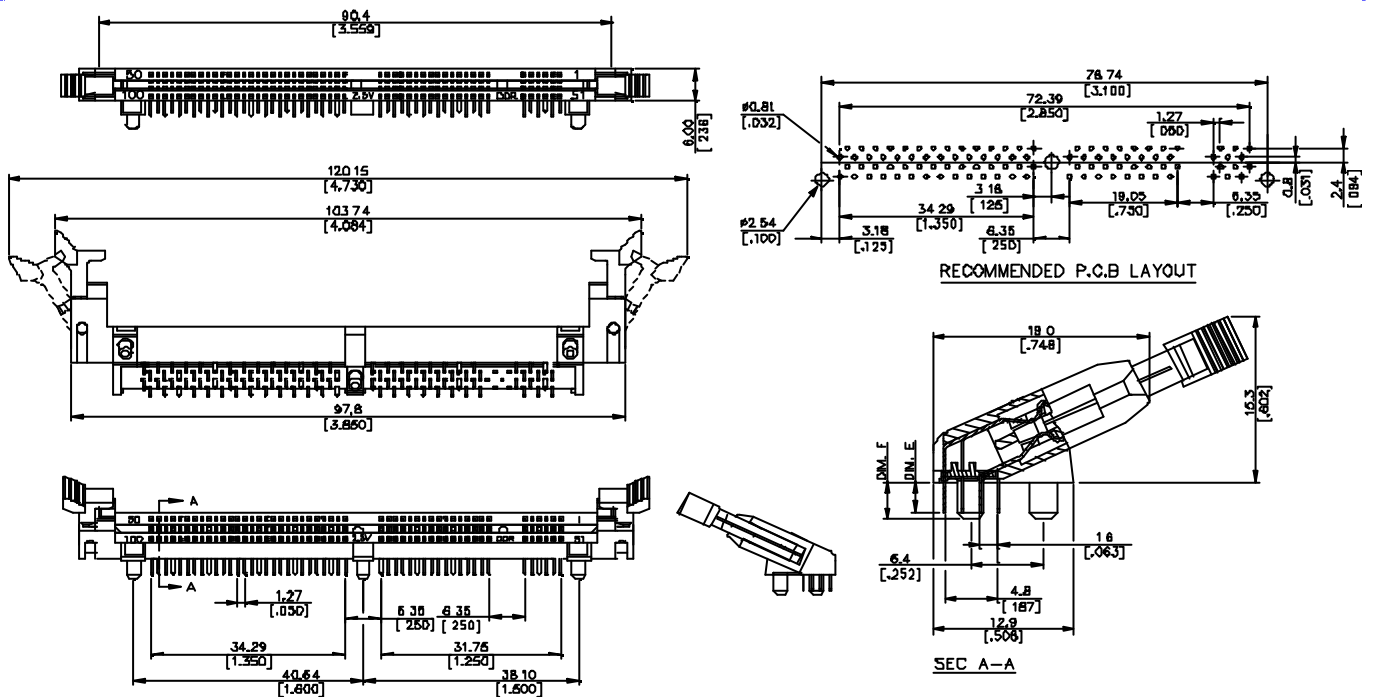
Voltage Rating: 250V
Current Rating: 1.0A max.
Dielectric Withstanding Voltage: 500V
Insulation Resistance: 1000MW min.
Low Level Contact Resistance (Dry Circuit): 30mW max. initial

Physical

Housing: Thermoplastic, UL 94V-0 rated in Black Color
Ejector Lever: Thermoplastic, UL 94V-0 rated in Ivory Color
Contact: Copper alloy
Operating Temperature: 0 to +85



DRAWING



ORDERING INFORMATION

PRODUCT NO.: AU250**-*-*-**

Memory Socket with Contact Pitch of .050" ————
 25 Degree Type ————
 No. of Pos. 50=100 Pos. ————
 Tail Length 0=3.15 [.124] 1=2.67 [.105] ————
 Contact Area Plating 1=Gold Flash 2=20u" Gold 3=30u" Gold 6=10u" Gold 7=15u" Gold ————
 Plating Type 4N=Tin/Lead 4F=Lead Free ————
 Extension Code ————

AU2501*-A1-4F	2.5V	2.67 [.105]	3.78 [.149]
P/N	VOLTAGE MARKING	DIM. E	DIM. F