

## ATT1736/1765/17128 Serial PROM

### Features

- 36,288 x 1 bit, 65,536 x 1 bit, and 131072 x 1 bit serial PROMs for FPGA configuration
- Designed to store configuration programs for programmable gate arrays
- Daisy-chain configuration support for multiple FPGAs
- Cascadable to provide more memory for additional configurations
- Cascadable to support future higher-density arrays
- Stores configurations for single or multiple FPGAs
- Low-power CMOS process
- 8-pin, plastic DIP
- Programming support from leading programmer manufacturers
- Pin-for-pin functional replacements for *Xilinx XC1700* devices

### Description

The ATT1736/1765/17128 Serial Configuration PROM devices serve as easy-to-use, cost-effective non-volatile configuration memories for the AT&T 3000 family and ORCA Series of field-programmable gate arrays (FPGAs). Devices of all sizes are currently available in the industry-standard 8-pin, plastic, skinny dual-in-line package (DIP).

The ATT1700 Serial PROM devices are pin-for-pin functional replacements for normal read operation for the *Xilinx XC1700* family of serial PROM devices. The AT&T 1700 Serial PROM family can be programmed by a variety of commercially available programming units fielded by qualified third-party programmable device support of vendors such as BP Microsystems, Data I/O, and Stag Microsystems. A listing of qualified (AT&T tested and verified) third-party programming platforms is scheduled to be available by the fourth quarter of 1992.

For multiple FPGA devices connected in a daisy-chain configuration, or for extremely large FPGA devices requiring large configuration memories, cascaded serial PROM devices offer an almost unlimited memory capacity.

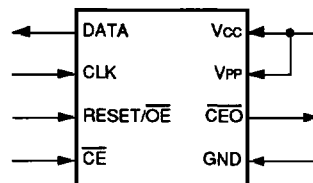


Figure 1. ATT1736/1765/17128 Functionality During READ

## Pin Information

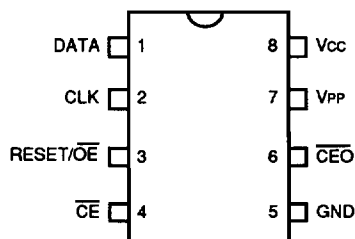


Figure 2. 8-Pin DIP Diagram

Table 1. Pin Descriptions

Pin #	Symbol	Type	Name/Function
1	DATA	O	<b>3-State DATA Out for Reading.</b> Output pin for normal read operation.
2	CLK	I	<b>Clock Input.</b> Used to increment the internal address and bit counters for normal read operation.
3	RESET/ OE	I	<b>RESET/Output Enable.</b> A low level on both the $\overline{CE}$ and $\overline{RESET/OE}$ inputs enables the data output driver. A high level on $\overline{RESET/OE}$ resets both the address and bit counters. The logic polarity of this input is programmable as either $\overline{RESET/OE}$ or $\overline{RESET/OE}$ . This document describes the pin as $\overline{RESET/OE}$ .
4	$\overline{CE}$	I	<b>Chip Enable.</b> A low level on both $\overline{CE}$ and $\overline{RESET/OE}$ enables the data output driver. A high level on $\overline{CE}$ disables both the address and bit counters and forces the device into a low-power mode. Used for device selection.
5	GND	—	<b>Ground Pin.</b>
6	$\overline{CEO}$	O	<b>Chip Enable Out.</b> This signal is asserted low on the clock cycle following the last bit read from the memory. It will stay low as long as $\overline{CE}$ and $\overline{OE}$ are both low. It will then follow $\overline{CE}$ , but if $\overline{RESET/OE}$ goes high, $\overline{CEO}$ will stay high until the entire PROM is read again.
7	VPP	I	<b>Programming Voltage Supply.</b> Must be connected directly to Vcc for normal read operation.
8	Vcc	I	<b>+5 V Power Supply.</b>

## Functional Description

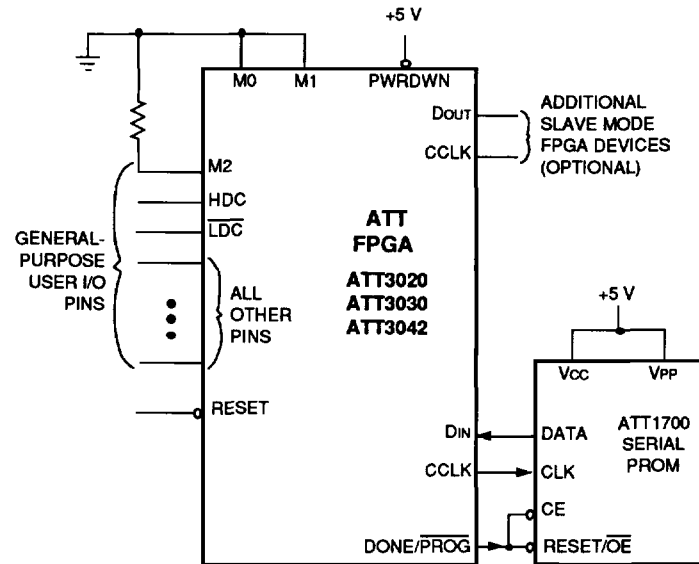


Figure 3. Master Serial Mode Configuration

### FPGA Master Serial Mode Summary

The I/O and logic functions of the AT&T programmable gate array, and their associated interconnections, are established by a configuration program. The program is loaded either automatically upon powerup, or on command, depending on the state of the three FPGA mode pins. In master mode, the field-programmable gate array automatically loads the configuration program from an external memory. The serial configuration PROM has been designed for compatibility with the master serial mode.

Upon powerup or upon reconfiguration, an FPGA will enter master serial mode whenever all three of the FPGA's mode select pins are low ( $M0 = 0$ ,  $M1 = 0$ ,  $M2 = 0$ ). Data is read from the serial configuration PROM sequentially on a single data line. Synchronization is provided by the rising edge of the temporary signal CCLK, which is generated during configuration.

Master serial mode provides a simple configuration interface. Only a serial data line and two control lines are required to configure the FPGA. Data from the serial configuration PROM is read sequentially, accessed via the internal address and bit counters, which are incremented on every valid rising edge of CCLK.

### Programming the FPGA with Counters Reset upon Completion

Figure 3 illustrates the connections between an FPGA and its serial PROM. The DATA line from the serial PROM is connected to the DIN input of the FPGA. The CCLK output from the FPGA is connected to the CLK input of the serial PROM. At powerup or upon reconfiguration, the DONE/PROG signal goes low (pulled low by the FPGA at reset or by external circuitry for reconfiguration), enabling the serial PROM and its DATA output.

**Functional Description** (continued)

**Programming the FPGA with Counters Reset upon Completion** (continued)

During the configuration process, CCLK will clock data out of the serial PROM on every rising clock edge. At the completion of configuration, the DONE/ PROG signal will go high and reset the internal address counters of the serial PROM.

If the user-programmable, dual-function DIN and CCLK pins are used only for the configuration process, they should be programmed on the FPGA so that no nodes are floating or in contention. For example, both DIN and CCLK can be programmed as output highs during normal operation. An alternate method is to program both DIN and CCLK as inputs, with external pull-up resistors attached.

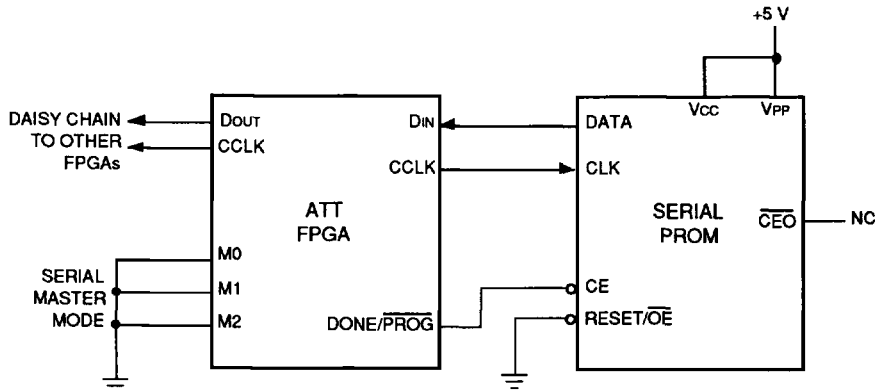
If DIN and CCLK are used for another function after configuration, the user must avoid contention. The low during configuration ( LDC ) pin can be used to control the serial PROM's CE and OE inputs to

disable the serial PROM's DATA pin, one clock cycle before DONE/ PROG is active.

If the FPGA is reprogrammed after initial powerup, note that the FPGA requires several microseconds to respond after the DONE/ PROG pin is pulled low. In this case, the LDC pin can be used instead of the DONE/ PROG pin to control the serial PROM.

**Programming the FPGA with Counters Unchanged upon Completion**

When multiple FPGA configurations for a single FPGA are stored in a serial configuration PROM, the OE pin of the serial PROM should be tied low as illustrated in Figure 4. Upon powerup, the internal address counters will be reset and configuration will begin with the first program stored in memory. Since the OE pin is held low, the address counters are left unchanged after configuration is complete. Therefore, to reprogram the FPGA with another program, the DONE/ PROG line is pulled low and configuration begins at the last value of the address counters.



Notes:  
 If M2 is tied directly to ground, it should be programmed as an input during operation.  
 If the FPGA is reset during configuration, it will abort back to initialization state. DONE/ PROG will not go high, so an external signal is required to reset the ATT1700 counters.

**Figure 4. Address Counters Not Reset**

## Functional Description (continued)

### Cascading Serial PROMs

For multiple FPGAs configured in a daisy chain, or for future FPGAs requiring larger configuration memories, cascaded serial PROMs provide additional memory.

After the last bit from the first serial PROM is read, the serial PROM asserts its  $\overline{\text{CEO}}$  output low and disables its own DATA line. The next serial PROM recognizes the low level on its  $\overline{\text{CE}}$  input and enables its own DATA output. (See Figure 5.)

After configuration is complete, the address counters of all of the cascaded serial PROMs will be reset when  $\text{DONE}/\overline{\text{PROG}}$  output from the FPGA goes high, forcing the  $\text{RESET}/\overline{\text{OE}}$  on each serial PROM to go high.

If the address counters are not reset upon completion, then the  $\overline{\text{OE}}$  inputs can be tied to ground, as illustrated in Figure 4.

The  $\text{DONE}/\overline{\text{PROG}}$  signal is an open collector type of output and may be bused. Extremely large, cascaded serial memories in some systems may require additional logic if the rippled chip enable is too slow to activate successive serial PROMs.

### Standby Mode

The ATT1700 enters a low-power standby mode whenever CE is asserted high. In this mode, the serial PROM consumes less than 0.5 mA of current. The output remains in a high-impedance state regardless of the state of the  $\text{RESET}/\overline{\text{OE}}$  input.

### RESET/ $\overline{\text{OE}}$ Polarity

The ATT1700 enables the user to choose the reset/output enable polarity as either  $\text{RESET}/\overline{\text{OE}}$  or  $\overline{\text{RESET}}/\text{OE}$ . The PROM programmer software prompts the user for the desired polarity.

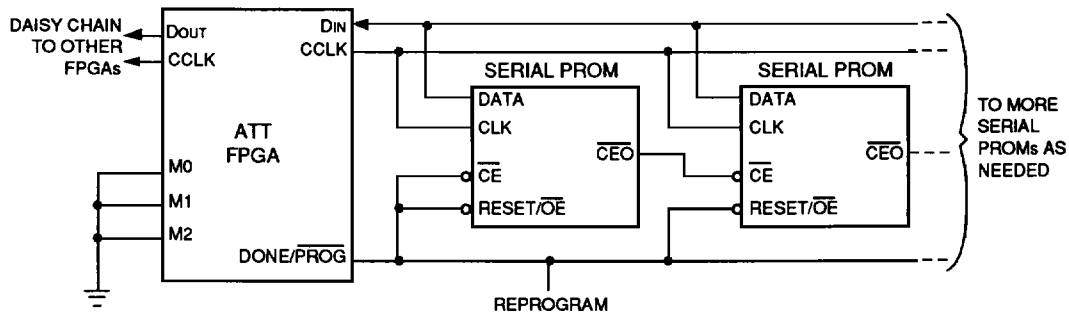


Figure 5. Cascading Serial PROMs

## Absolute Maximum Ratings

Stresses in excess of the Absolute Maximum Ratings can cause permanent damage to the device. These are absolute stress ratings only. Functional operation of the device is not implied at these or any other conditions in excess of those given in the operational sections of the data sheet. Exposure to Absolute Maximum Ratings for extended periods can adversely affect device reliability.

Parameter	Symbol	Min	Max	Unit
Storage Temperature	$T_{stg}$	-65	125	°C
Soldering Temperature (10 s)	$T_{sol}$	—	260	°C
Supply Voltage	$V_{cc}$	-0.5	7.0	V
Input Voltage	$V_{in}$	-0.5	$V_{cc} + 0.5$	V
Voltage Applied to 3-state Output	$V_{ts}$	-0.5	$V_{cc} + 0.5$	V

## Electrical Characteristics

Table 2. dc Characteristics

Parameter	Symbol	Min	Max	Unit
Supply Voltage Relative to GND: Commercial/Industrial (-40 °C to +85 °C)	$V_{cc}$	4.5	5.5	V
	$V_{pp}^*$	4.5	5.5	V
Input Voltage:				
Low	$V_{IL}$	0	0.8	V
High	$V_{IH}$	2.0	$V_{cc}$	V
Output Voltage:				
Low	$V_{OL}$ ( $I_{OL} = 4$ mA)	—	0.32	V
High	$V_{OH}$ ( $I_{OH} = -4$ mA)	3.86	—	V
Supply Current:				
Active Mode	$I_{CCA}$ ( $I_{CC} + I_{PP}$ )	—	10	mA
Standby Mode	$I_{CCS}$ ( $I_{CC} + I_{PP}$ )	—	0.5	mA
Input or Output Leakage Current	$I_L$	-10	10	μA

\* During normal read operation,  $V_{PP}$  must be connected to  $V_{cc}$ .

## Timing Characteristics

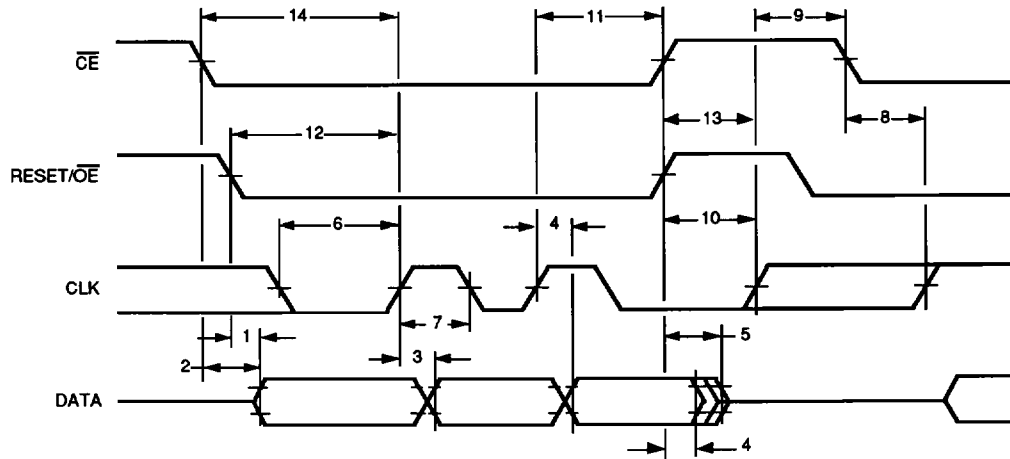


Figure 6. ac Characteristics 1

Table 3. ac Characteristics

Reference Number	Symbol	Parameter	Min	Max	Unit
1	t <sub>oe</sub>	OE to Data Delay	—	100	ns
2	t <sub>ce</sub>	CE to Data Delay	—	250	ns
3	t <sub>cac</sub>	CLK to Data Delay	—	400	ns
4	t <sub>oh</sub>	Data Hold from CE, OE, or CLK	0	—	ns
5	t <sub>df</sub>	CE or OE to Data Float Delay	—	50	ns
6	t <sub>lc</sub>	CLK Low Time	200	—	ns
7	t <sub>hc</sub>	CLK High Time	200	—	ns
8	t <sub>scel</sub>	CE Low Setup Time to CLK*	100	—	ns
9	t <sub>hcel</sub>	CE High Hold Time to CLK†	0	—	ns
10	t <sub>hoe</sub>	OE High Time (CE can be high or low)‡	100	—	ns
11	t <sub>hcbh</sub>	CE Low Hold Time to CLK*	100	—	ns
12	t <sub>sre</sub>	OE Setup Time to CLK§	100	—	ns
13	t <sub>sceh</sub>	CE High Setup Time to CLK†	100	—	ns
14	t <sub>scel1</sub>	CE Low Setup Time to First CLK§	250	—	ns

\* Guarantees counters will change.

† Guarantees counters will not change.

‡ Guarantees counters are reset.

§ Guarantees first bit access.

Timing Characteristics (continued)

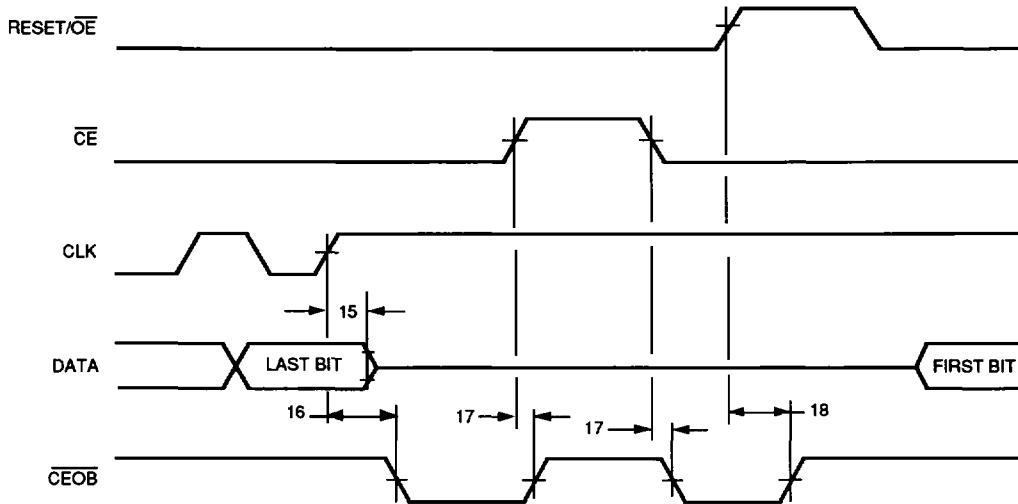
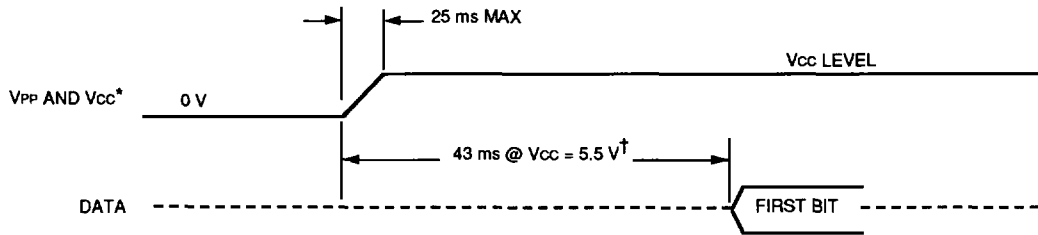


Figure 7. ac Characteristics 2

Table 4. ac Characteristics

Reference Number	Symbol	Parameter	Min	Max	Unit
15	$t_{cdf}$	CLK to Data Disable Delay	—	40	ns
16	$t_{ock}$	CLK to CEO Delay	—	100	ns
17	$t_{oce}$	CE to CEO Delay	—	100	ns
18	$t_{ooe}$	OE to CEO Delay	—	100	ns



\* VCC and VPP are tied together during a normal read operation.  
 † First bit data is not valid before 43 ms after powerup.

Figure 8. Powerup