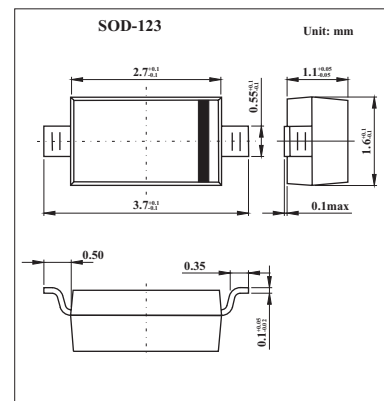


# HVD350B

## ■ Features

- High capacitance ratio. ( $n = 2.80$  min)
- Low series resistance. ( $r_s = 0.50 \Omega$  max)
- Good C-V linearity.
- Super small Flat Lead Package (SFP) is suitable for surface mount design.



## ■ Absolute Maximum Ratings $T_a = 25^\circ\text{C}$

Parameter	Symbol	Value	Unit
Reverse Voltage	$V_R$	15	V
Junction temperature	$T_j$	125	$^\circ\text{C}$
Storage temperature	$T_{stg}$	-55 to +125	$^\circ\text{C}$

## ■ Electrical Characteristics $T_a = 25^\circ\text{C}$

Parameter	Symbol	Conditions	Min	Typ	Max	Unit
Reverse current	$I_{R1}$	$V_R = 15 \text{ V}$			10	nA
	$I_{R2}$	$V_R = 15 \text{ V}, T_a = 60^\circ\text{C}$			100	
Capacitance	$C_1$	$V_R = 1 \text{ V}, f = 1 \text{ MHz}$	15.5		17	pF
	$C_4$	$V_R = 4 \text{ V}, f = 1 \text{ MHz}$	5		6	
Capacitance ratio	$n$	$C_1 / C_4$	2.8			
Series resistance	$r_s$	$V_R = 1 \text{ V}, f = 470 \text{ MHz}$			0.5	$\Omega$

## ■ Marking

Marking	A
---------	---