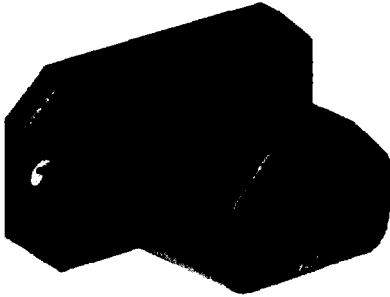


SIDE FLANGE FOR RACK
AND PANEL APPLICATIONS
43R05

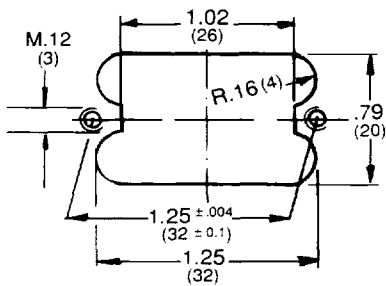


QUICK CONNECT
TERMINAL



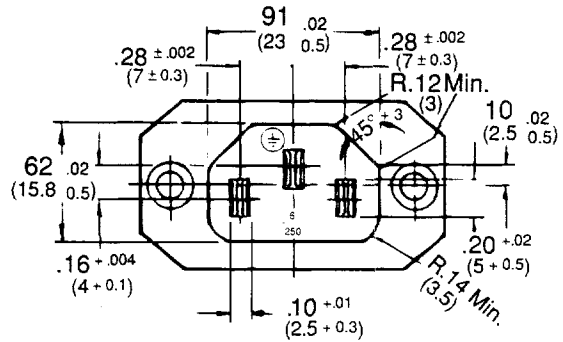
SOLDER TERMINAL

PANEL CUT-OUT

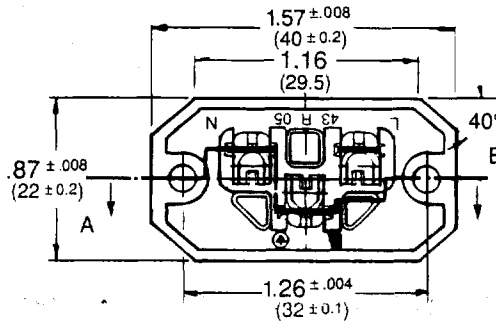


FRONT OF PANEL

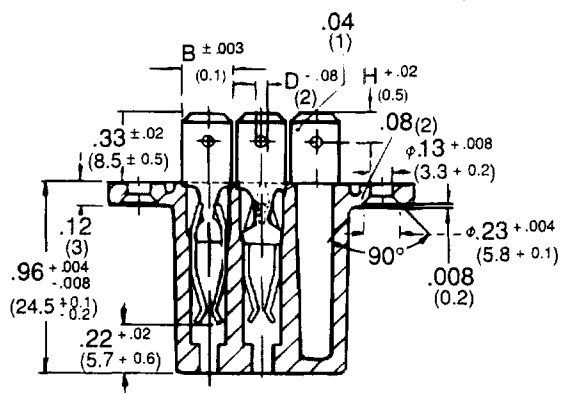
FACE DIMENSIONS



REAR VIEW



SECTION A-A
(Shown with Quick Connect Terminals)



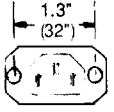
Specifications subject to change without notice. (Metric dimensions are shown in parentheses.)
See pages 293-300 for mating power cords.

EXAMPLE & ORDERING CODE

43R05- 1 1 3 1 - D3

MECHANICAL MOUNTING CONFIGURATION

SIDE FLANGE
(32mm)
HOLE SPACING =1



COLOR
Other colors available on request.

BLACK =1
GRAY =2

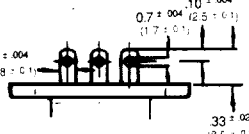
TERMINAL DIMENSIONS

QUICK CONNECT TERMINAL

B	H	D
.25 (6.3)	.16 (4)	.06 (1.65)







=3


SOLDER TERMINAL



=4

ELECTRICAL CIRCUIT CONFIGURATION

	10A 250V 65°C		=1
	10A 250V 120°C		=2
	10A 250V 155°C		=3

 Add Suffix D3 to Part Number for 15A, 250V =D3

General purpose female power cord connector designed for recessed and rack or panel mounting. Available for quick connect and solder terminals. Rated 10Amp., 250 VAC, 65°C, 120°C and 155°C. Available 15A for UL and CSA. Designed for versatile mounting.

SPECIFICATIONS

MATERIAL AND FINISH:

Housing:
Material: Polycarbonate
Rating: UL 94V-0

Contacts:

Quick Connect:
Material: Brass
Plating: Nickel

Solder:
Material: Copper
Plating: Tin

ELECTRICAL SPECIFICATIONS:

Insulation Resistance: 100 Megaohm min. @ 500 VDC
Dielectric Strength: 2000 VAC for 1 minute

Specifications subject to change without notice. (Metric dimensions are shown in parentheses.)
See pages 293-300 for mating power cords.