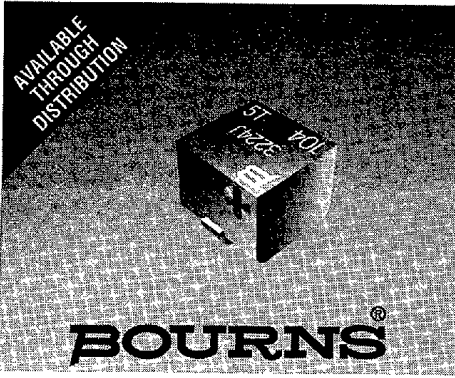


For technical assistance call the Trimmer
Products number on the back cover.



Features

- Surface Mount 4mm Square / Multiturn Cermet / Industrial / Sealed
- Sealed to withstand board wash processing
- Pick and place centering design, with flush adjustment

- 4mm design meets EIA/EIAJ/IPC/VRCI SMD standard trimmer footprint
- Low CRV - 1%
- DESC selected material drawing #92021

3224 - 4mm SMD Trimming Potentiometer

Electrical Characteristics

Standard Resistance Range 10 to 2 megohm
(see standard resistance table)
Resistance Tolerance ±10% std.
Absolute Minimum Resistance 1% or 2.0 ohms
(whichever is greater)
Contact Resistance Variation 1% or 3 ohms max.
Resolution Essentially Infinite
Insulation Resistance 500 vdc.
100 megohms min.
Dielectric Strength
Sea Level 600 vac (1 minute)
Adjustment Angle 11 turns nom.

Environmental Characteristics

Power Rating (300 volts max.)
85°C 0.25 watt
150°C 0 watt
Temperature Range -65°C to +150°C
Temperature Coefficient ±100ppm/°C
Humidity MIL-STD 202 Method 106
TRS ±2%; IR 10 megohms
Vibration 20G TRS ±1%; VRS ±1%
Shock 100G TRS ±1%; VRS ±1%
Load Life
..... @ 85°C rated power 1,000 hours
TRS 3 ohms or 3% (whichever is greater)
Rotational Cycling 200 cycles
TRS 3 ohms or 3% (whichever is greater)
Thermal Shock 5 cycles
TRS ±2%; VRS ±1%

Physical Characteristics

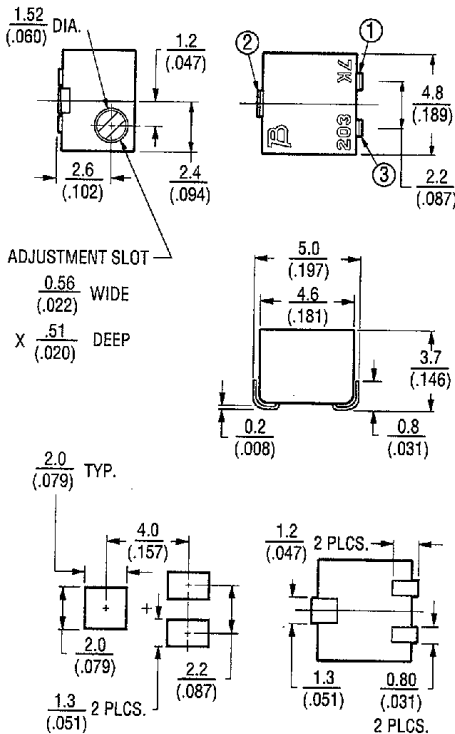
Mechanical Stop Wiper idles
Torque 180g-cm max.
Weight Approximately 0.01 oz.
Marking Manufacturer's code,
resistance code and date code
Solderability Per MIL-STD-202,
Method 208
Wiper Set at 50% nominal
Flammability UL94V0
Adjustment Tool H-91

How To Order

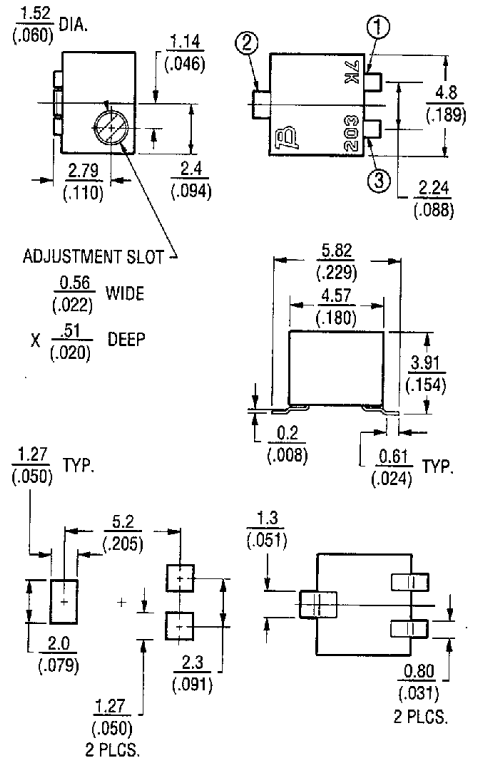
3224 J - 1 - 502 E

Model _____
Style _____
Standard or Modified Product Indicator
-1 = Standard Product - IR Reflow
* -2 = Wave Solderable
-FW5 = .070" ± .010" Shaft Extension
Resistance Code _____
Embossed Tape Designator
Style J, G: 500 pcs./7" reel (standard)
Style W: 250 pcs./7" reel (standard)
Consult factory for other available options.
* -2 has a treated stainless steel shaft

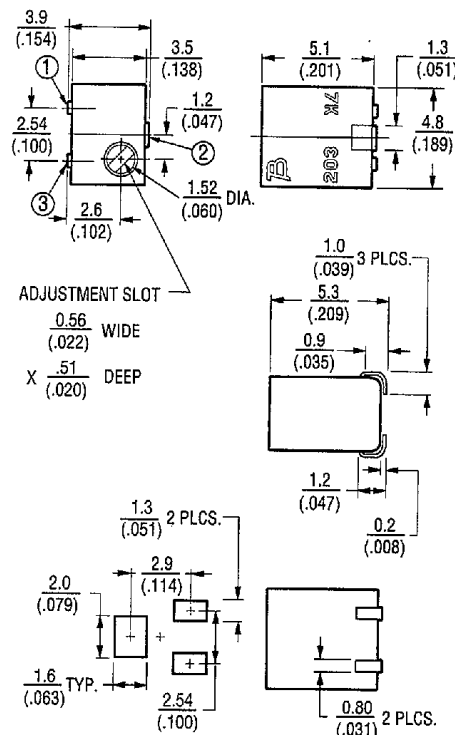
3224J Side Adjust



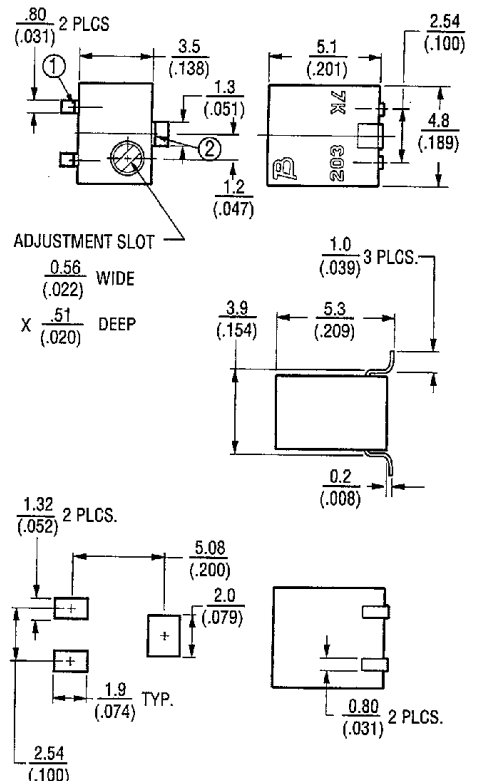
3224G Side Adjust



3224W Top Adjust



3224X Top Adjust



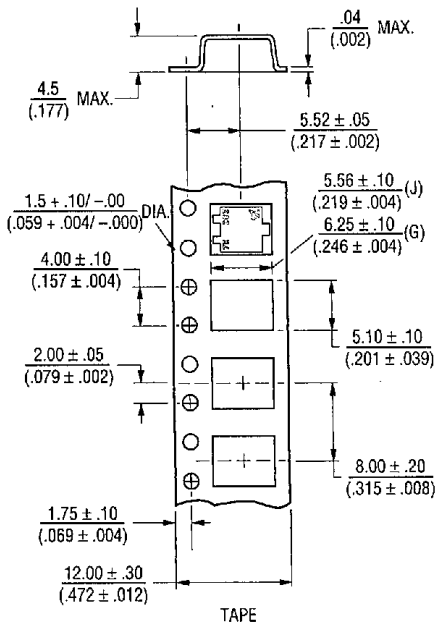
Additional Features

- Top and side adjust styles
- J-hook, and gull-wing
- Patent #5047746 advanced drive/wiper mechanism

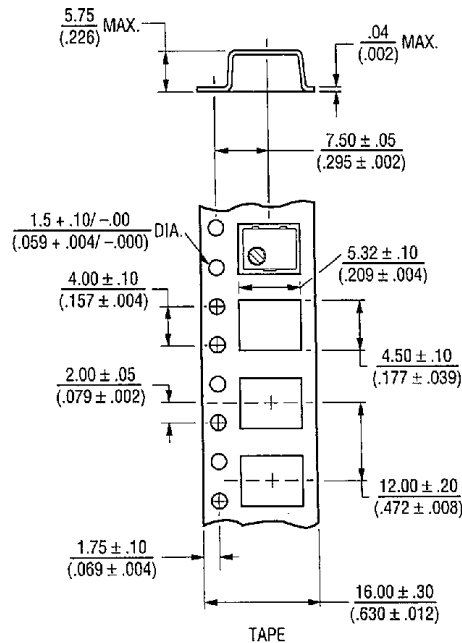
3224 - Packaging Specifications

BOURNS®

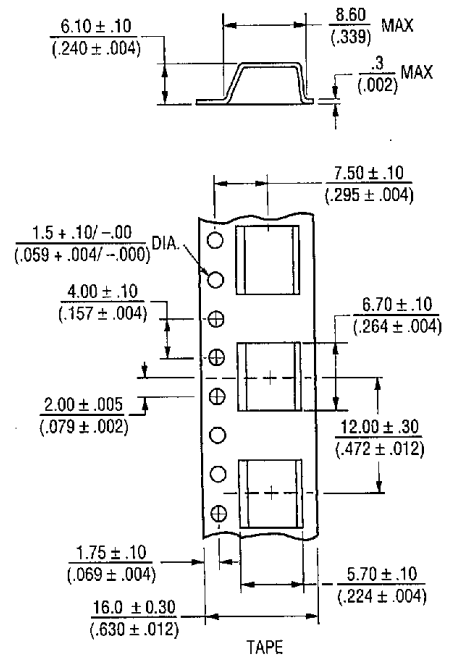
J & G Styles



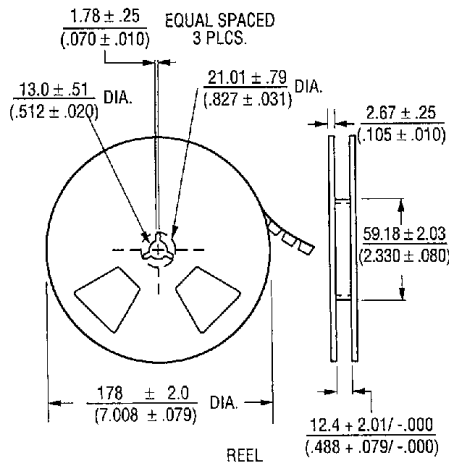
W Style



X Style

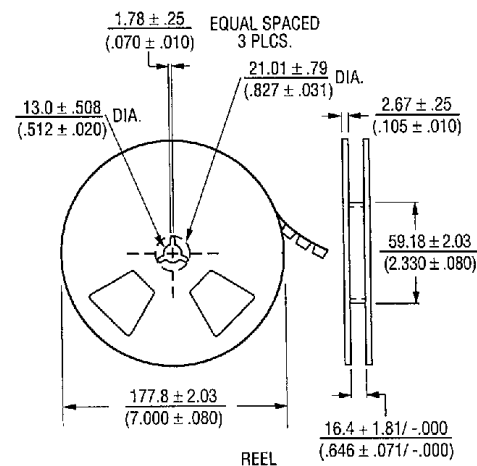


W & X Style Reel



Cover tape peel strength:
Meets EIA specification 481.

Units packaged 500 pieces per reel.



Cover tape peel strength:
Meets EIA specification 481.

Units packaged 250 pieces per reel. (w)
Units packaged 200 pieces per reel. (x)

TOLERANCES: ± 0.25 (.010) EXCEPT WHERE NOTED

DIMENSIONS ARE: METRIC
(INCHES)

Standard Resistance Table

Resistance (Ohms)	Resistance Code
10	100
20	200
50	500
100	101
200	201
500	501
1,000	102
2,000	202
5,000	502
10,000	103
20,000	203
50,000	503
100,000	104
200,000	204
500,000	504
1,000,000	105
2,000,000	205

Popular values listed in boldface. Special resistances available.

SHADED AREAS TYPICALLY NOT STOCKED BY DISTRIBUTORS AND NOT RECOMMENDED FOR NEW DESIGNS.

