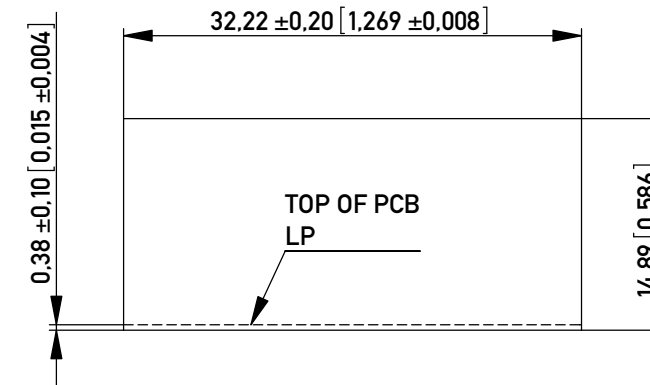


RECOMMENDED PANEL CUTOUT
EMPFOHLENER FRONTPLATTEN AUSSCHNITT



- NOTE 1: ONE REAR SHIELD TAB CENTERED
 NOTE 2: SIDE GROUND TAB REAR OF PEG 3.05 mm (R)
 NOTE 3: PANEL GROUND FLANGES BOTH SIDES AND TOP (GF5)

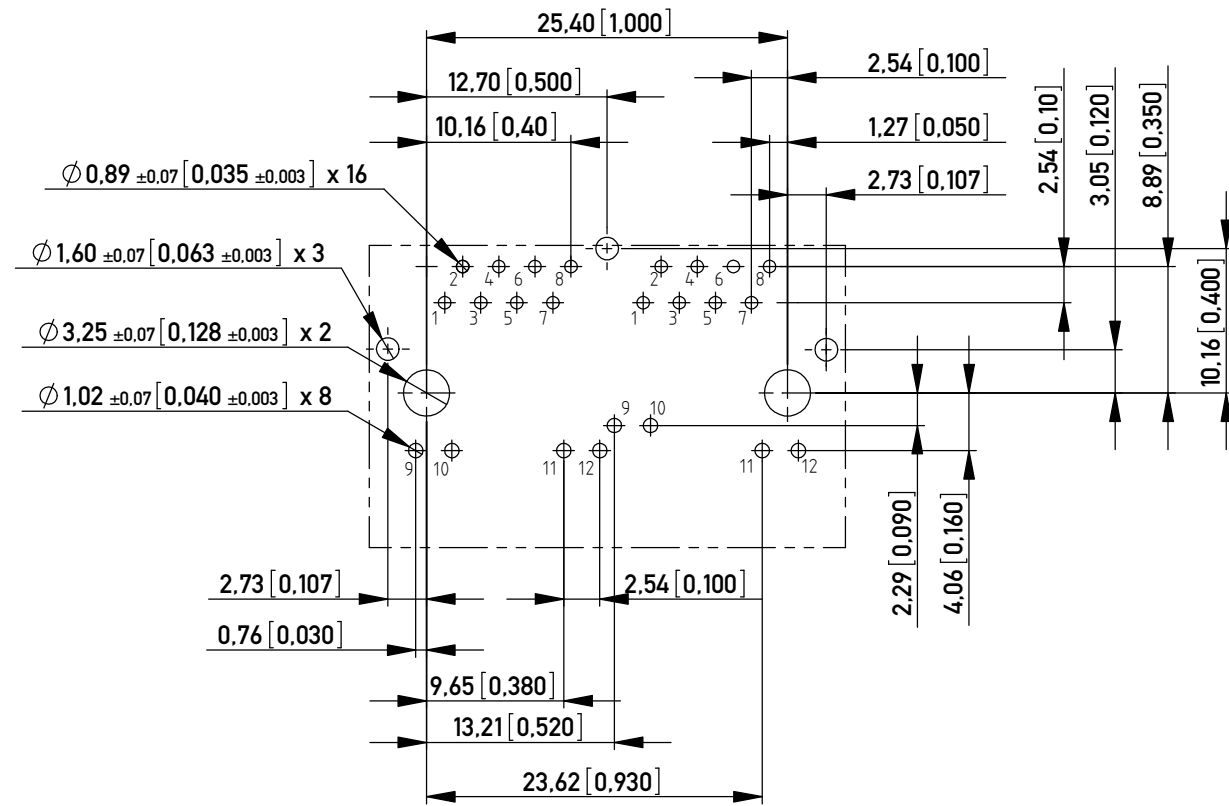
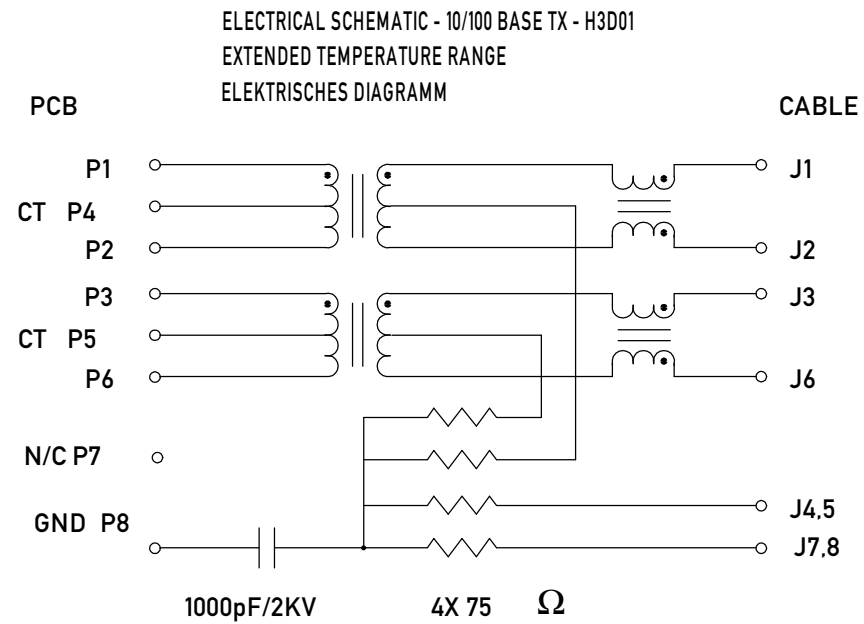
MATERIALS AND FINISH

HOUSING: GLASS FILLED POLYESTER UL 94 V-0 BLACK
 SHIELDING: Cu ALLOY, PLATED WITH Ni
 CONTACTS: PHOSPHOR BRONZE
 CONTACT FINISH: Au, 0.8 µm (30 µin) OVER Ni
 TERMINAL FINISH: Sn MATTE
 LED LENS: EPOXY
 OPERATING TEMPERATURE: -40°C TO +85°C

NO. IDENT. NR.	LED 2 LEFT LED 2 LINKS	LED 1 RIGHT LED 1 RECHTS	LED CODE
203407	GREEN	GREEN	L3

Copyright by ERNI GmbH Proprietary notice pursuant to ISO 16016 to be observed.	Information:	Tolerances ±0.2 mm (±0.008 inch) if not specified	All Dimensions in mm [in]	Scale 2:1			
	SCHEMATIC NUMBER: H3D01 All rights reserved. Only for Information. To ensure that this is the latest version of this drawing, please contact one of the ERNI companies before using.	Subject to modification without prior notice. Drawing will not be updated.	Designation MOD JACK - MJIM 8C10T,1x2.INT.MAG.,LED ALIGNED				
<table border="1"> <tr> <td>b</td> <td>28.06.2012</td> </tr> <tr> <td>Index</td> <td>Date</td> </tr> </table>	b	28.06.2012	Index	Date	www.ERNI.com	203407	I (1/2) A3
b	28.06.2012						
Index	Date						
Class		MJIM					

RECOMMENDED PCB LAYOUT - COMPONENT SIDE VIEW
 EMPFOHLENES LEITERPLATTEN-LAYOUT - BESTÜCKUNGSSEITE
 ALL TOLERANCES ±0.05 UNLESS NOTED



MAGNETICS SPECIFICATIONS @ 25°C
 AUTO MDIX COMPATIBLE
 TURNS RATIO: 1CT:1CT ±3%
 (P1-P2 : J1-J2) 1CT :1 ±3%
 (P3-P6 : J3-J6) 1CT : 1 ±3%
 OCL(100 KHz, 0.1 V, 8 mA)
 (P1-P2 : P3-P6) 350 µH MIN
 DCR (P1-P2, P3-P6) 1.1 Ohms MAX
 INSERTION LOSS:
 0.1 MHz-100 MHz -1.1 dB MAX
 RETURN LOSS:
 0.5 MHz-30 MHz -18 dB MIN
 40 MHz -15.5 dB MIN
 50 MHz -13.6 dB MIN
 60 MHz-80 MHz -12 dB MIN
 CROSSTALK: (0.1 MHz-100MHz) -40 dB TYP
 COMMON MODE REJECTION
 0.1 - 30 MHz -50 dB TYP
 30 - 60 MHz -40 dB TYP
 60 - 100 MHz -35 dB TYP
 ISOLATION 1500 Vrms

LED SPECIFICATIONS
 LED ANWEISUNG

COLOR FARBE	V _f TYP	V _f MAX	I _f mA	CIRCUIT DIAGRAM SCHALTSKIZZE
GREEN	2.2	2.5	10	

Information: All rights reserved. Only for Information. To ensure that this is the latest version of this drawing, please contact one of the ERNI companies before using.	Tolerances ±0.2 mm (±0.008 inch) if not specified	 All Dimensions in mm [in]	Scale 2:1
	Subject to modification without prior notice. Drawing will not be updated.		Designation MOD JACK - MJIM 8C10T,1x2.INT.MAG.,LED ALIGNED
	www.ERNI.com	203407	
b	28.06.2012	1 (2/2)	
Index	Date	A3	
Class		MJIM	

Copyright by ERNI GmbH
 Proprietary notice pursuant to ISO 16016 to be observed.