

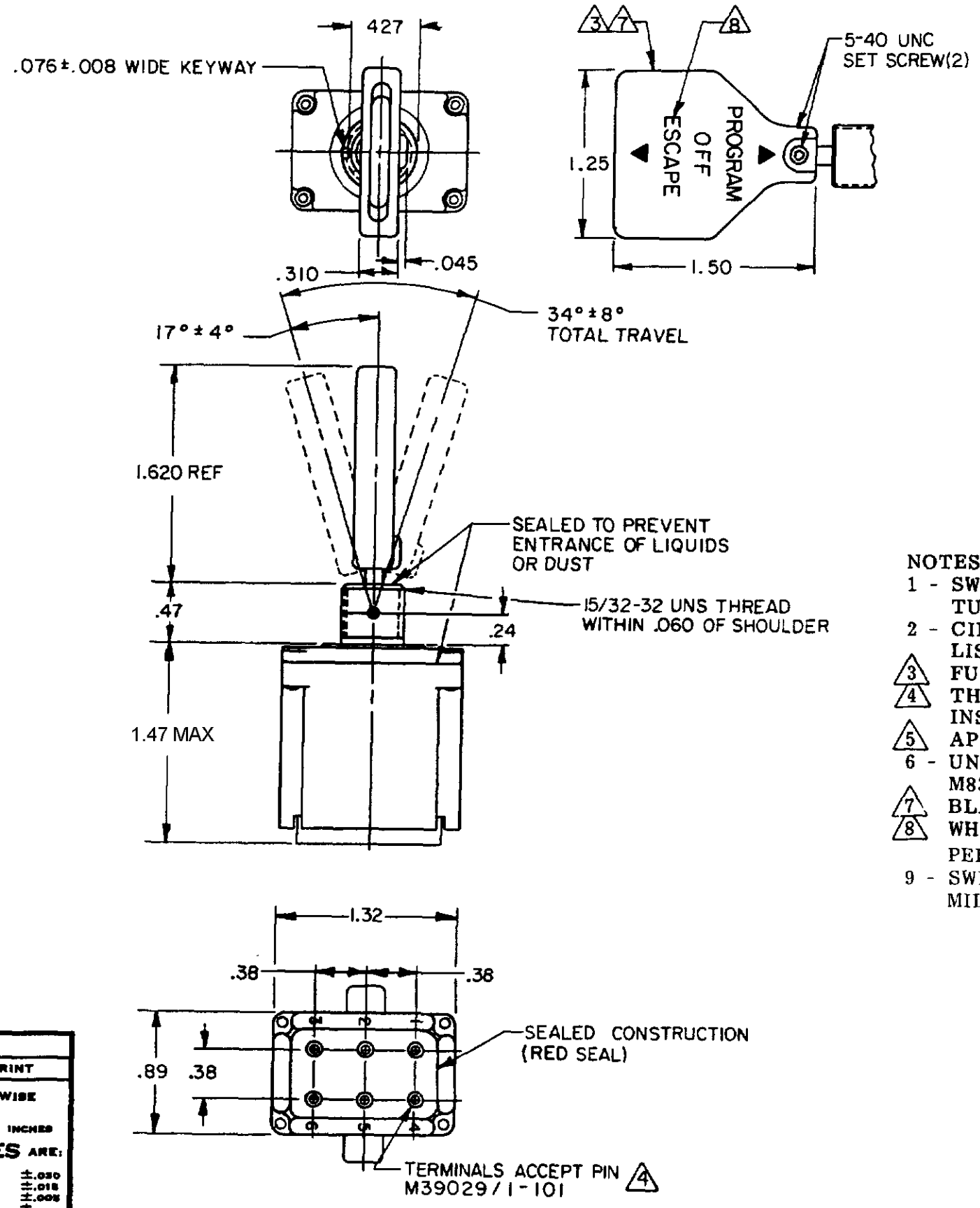
CATALOG LISTING 102TL2259 SERIES CHART 1
 PAGE 1 OF 1
 ISSUE 3
 RELEASE NO. CO-78465 REPLACES SERIES 102TL2259
 REVISIONS
 A CO-93999 JJA 7 JULY 99
 B 203595 CSL 27 JUL 01
 DRAWN KAG 23 JUN 94
 CHECK KAG 23 JUN 94
 JJO 9 JUN 94
 RASTER FO-8288 1-A
 DRAWN

MICRO SWITCH
 FREEPORT ILLINOIS U.S.A.
 A DIVISION OF HONEYWELL
 FED MFG CODE 91928

SWITCH-TOGGLE

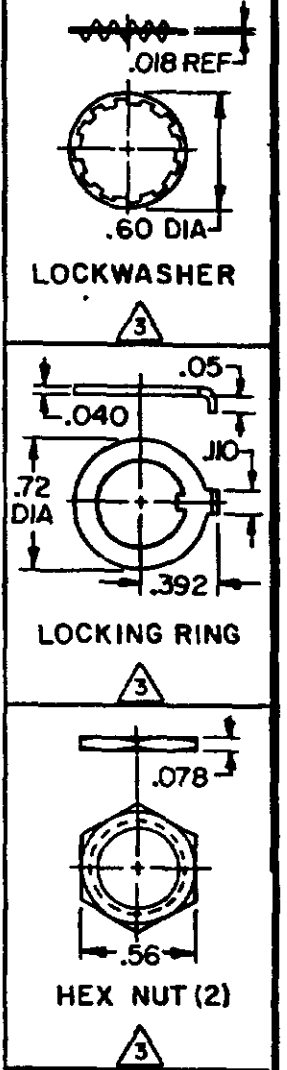
CATALOG LISTING
102TL2259 SERIES
CHART 1

THIS DRAWING COVERS A PROPRIETARY ITEM AND IS THE PROPERTY OF MICRO SWITCH, A DIVISION OF HONEYWELL. THIS DRAWING IS NOT TO BE COPIED OR USED WITHOUT THE APPROVAL OF MICRO SWITCH.



CATALOG LISTING	CIRCUIT MADE WITH TOGGLE LEVER IN			CURRENT CAPACITY (AMPS)									
	KEYWAY SIDE (1-2,4-5)	CENTER (1-2,4-5)	OPPOSITE KEYWAY (2-3,5-6)	RESISTIVE LOAD DC VOLTS				LAMP LOAD		INDUCTIVE LOAD			
				28	125	250	125	250	28 VDC	125 VAC	28 VDC	125 VAC	
	ON	OFF	ON										
	OFF	NONE	ON										
	ON	NONE	ON	7.5	.75	.5	7.5	6	7	4	7.5	7.5	
	NONE	OFF	ON										
	NONE	ON	ON										
	MOM OFF	NONE	ON										
	MOM ON	OFF	ON										
	MOM ON	NONE	OFF										
102TL2259 -7	MOM ON	OFF	MOM ON	7.5	.75	.5	7.5	6	5	2	7.5	7.5	
	MOM ON	NONE	ON										
	NONE	ON	MOM ON										
	MOM ON	OFF	NONE										

- NOTES**
- SWITCHES ARE CAPABLE OF WITHSTANDING A TEMPERATURE OF 160°F CONTINUOUSLY AT FULL RATED LOAD
 - CIRCUIT DESIGNATION AND MICRO SWITCH CATALOG LISTING STAMPED ON SIDE OF SWITCH
 - FURNISHED UNASSEMBLED
 - THE SEALING GROMMET SHALL SEAL ON A SMOOTH WIRE INSULATION OF .040 TO .083 DIAMETER (16-20 GAGE) APPLIES TO "ON" AND "MOMENTARY ON" POSITIONS
 - UNUSED TERMINAL HOLES MAY BE SEALED WITH PLUGS M83723/28-20
 - BLACK ANODIZED ALUMINUM ALLOY
 - WHITE RECESSED MARKINGS .133 ± .008 HIGH WIDTH OF LINES PER MIL-M-18012 PAR 3.2.2.1 (C)
 - SWITCHES MEET THE APPLICABLE REQUIREMENTS OF MIL-S-3950



SCALE FULL
 DO NOT SCALE PRINT
 UNLESS OTHERWISE NOTED
 DIMENSIONS ARE IN INCHES
TOLERANCES ARE:
 ONE PLACE (.0) ± .030
 TWO PLACE (.00) ± .018
 THREE PLACE (.000) ± .008
 ANGLES ± .008
 WEIGHT .135 LB MAX

