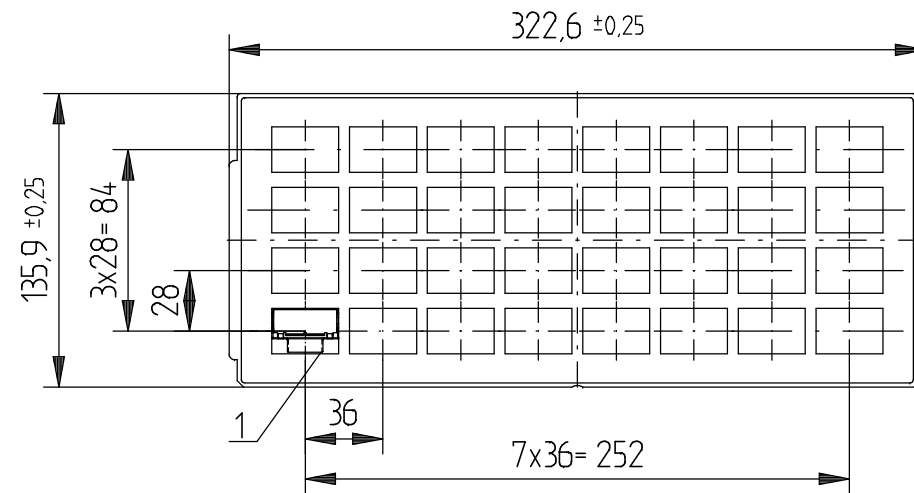


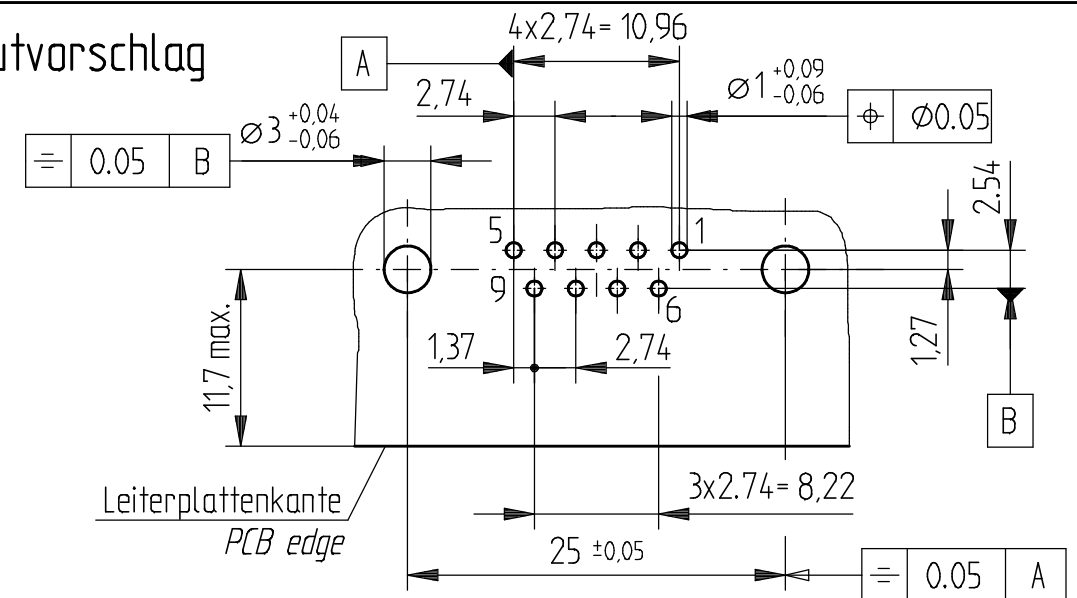
Anschlussbereich verzinkt  
terminal area tin plating

Anforderungsstufe: 2  
class: 2



Verpackt in Tray  
Verpackungseinheit 32 St.  
tray packaging  
packaging unit 32 pcs

### Layoutvorschlag



Fehlende Masse und Angaben siehe DIN 41652 / Missing information and dimensions according to DIN 41652

Consider protection memo from DIN 34

Information:	Tolerances	All Dimensions in mm	Scale	2:1
All rights reserved. Only for information. To insure that this is the latest version of this drawing, please contact one of the ERNI companies before using.	Subject to modification without prior notice. Drawing will not be updated.		Designation	
			TMC-S 9-EE-Standard TMC-S 9-EE-Standard	
d	Date	www.ERNI.com	100500760002	
Index		H:00070798.SZA	TMCS	K