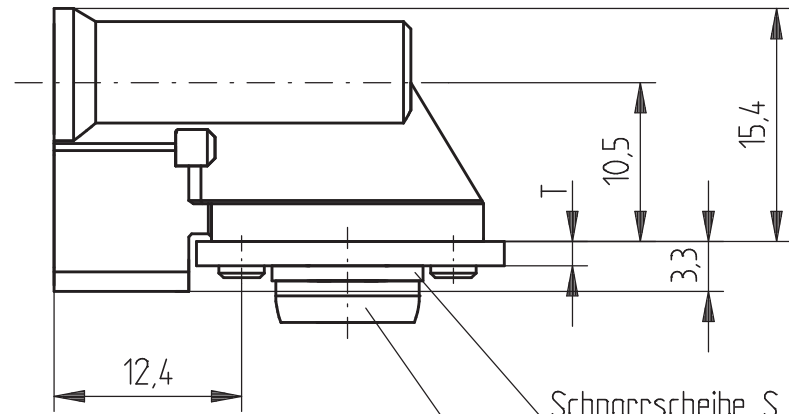
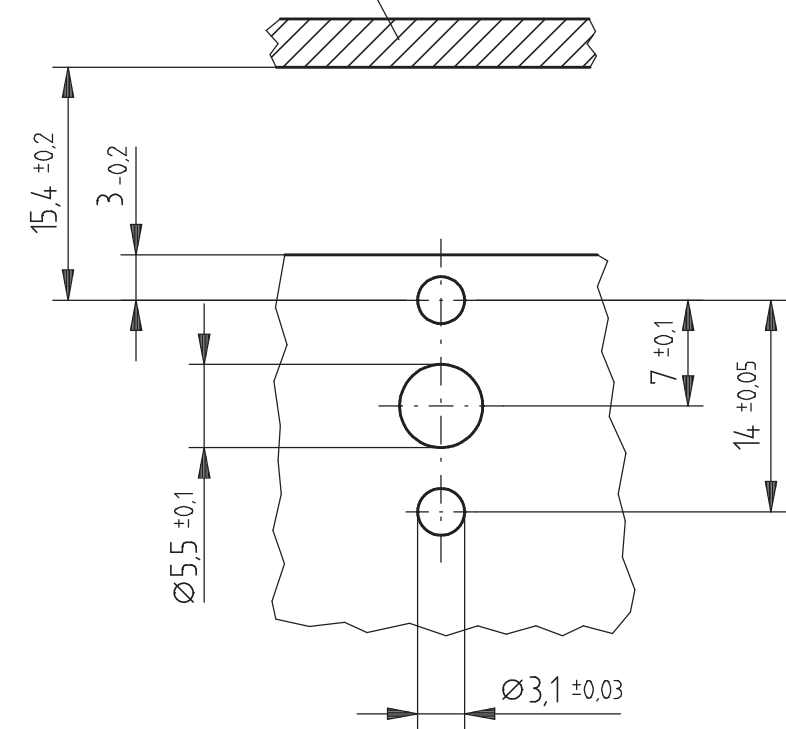


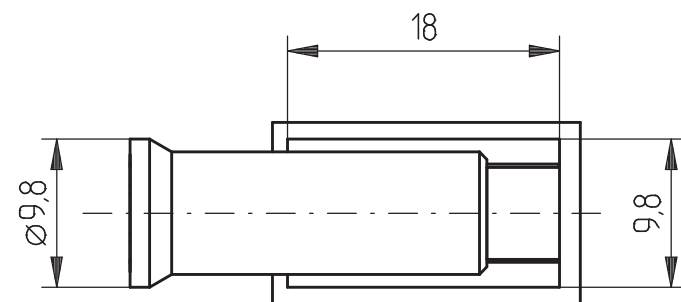
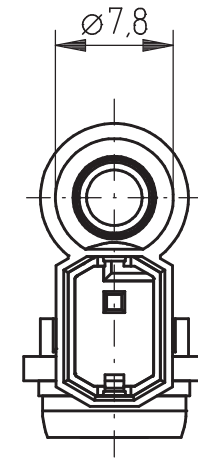
Layout der Tochterkarte - *Layout of daughtercard*

Backplane

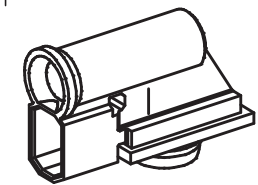


Schnorr Scheibe S 5 rostfrei
"Schnorr" washer

Linsenschraube mit Torx ISO 7380-M5xL
button head socket screw



1 : 1



	6	1.5 - 3
	Schraubenlänge L <i>length of screw</i>	Leiterplattenstärke T <i>thickness of pcb</i>
Information:	Tolerances	Scale 2:1
All rights reserved. Only for information. To insure that this is the latest version of this drawing, please contact one of the ERNI companies before using.	Subject to modification without prior notice. Drawing will not be updated.	All Dimensions in mm
		Designation
	www.ERNI.com	Führungsteil Guiding System ERmet
		100500580001
Index	Date	K2
	V:00068536.SZA	ERMBGR

Consider protection memo from DIN 34