



Solid State Devices, Inc.

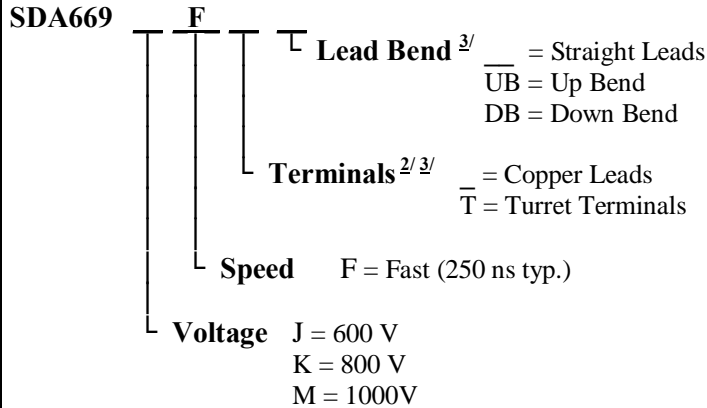
14830 Valley View Blvd * La Mirada, Ca 90638

Phone: (562) 404-7855 * Fax: (562) 404-1773

ssdi@ssdi-power.com * www.ssdi-power.com

DESIGNER'S DATA SHEET

Part Number / Ordering Information ^{1/}



SDA669 Series

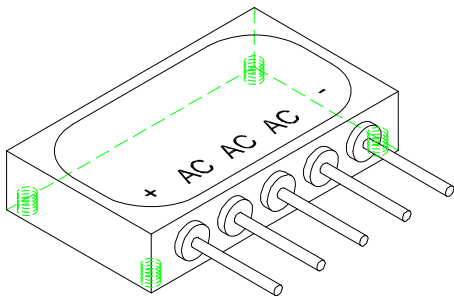
30A / 600 - 1000V THREE PHASE BRIDGE RECTIFIER ASSEMBLY

Features:

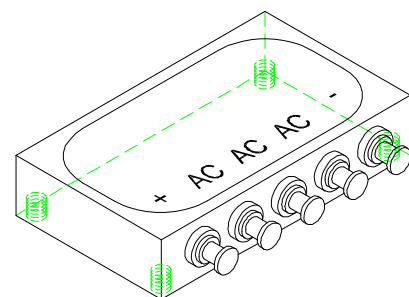
- Up to 1000 V Blocking Voltage
- Average Output Current 30 Amps
- Low Reverse Leakage Current
- Constructed with Void-free, Hermetically Sealed Discretes
- Aluminum Case for Maximum Thermal Conductivity
- Small Package Size (1.500 x 0.875 x 0.310")
- TX and TXV & S Level Screening Available
- Ultra Fast (70ns) versions available. Contact Factory

Maximum Ratings		Symbol	Value	Units
Peak Repetitive and Peak Surge Reverse Voltage	SDA669J	V_{RRM}	600	Volts
	SDA669K	V_{RSM}	800	
	SDA669M	V_R	1000	
Average Rectified Forward Current ^{4/} (Resistive Load, 60 hz Sine Wave, $T_C = 55^\circ C$)		I_o	30	Amps
Peak Surge Current (8.3 ms Pulse, Half Sine Wave, $T_A = 25^\circ C$, per leg)		I_{FSM}	150	Amps
Operating & Storage Temperature		Top & Tstg	-55 to +150	$^\circ C$
Maximum Thermal Resistance Junction to Case		$R_{\theta JC}$	2.0	$^\circ C/W$

SDA669 (__)



SDA669 (T)



NOTE: All specifications are subject to change without notification. SCD's for these devices should be reviewed by SSDI prior to release.

DATA SHEET #: RA0026D

DOC



Solid State Devices, Inc.

14830 Valley View Blvd * La Mirada, Ca 90638
Phone: (562) 404-7855 * Fax: (562) 404-1773
ssdi@ssdi-power.com * www.ssdi-power.com

SDA669 Series

Electrical Characteristic ^{5/}		Symbol	Min	Typ	Max	Units
Instantaneous Forward Voltage Drop (T _A = 25°C, 300 - 500 μsec pulse)	I _F = 3A	V _{F1}	—	—	1.15	V _{DC}
	I _F = 9A	V _{F2}	—	—	1.30	
Reverse Leakage Current (Rated V _R , T _A = 25°C, 300 μsec pulse minimum)		I _{R1}	—	—	5	μA
Reverse Leakage Current (Rated V _R , T _A = 100°C, 300 μsec pulse minimum)		I _{R2}	—	—	60	μA
Reverse Recovery Time (T _A = 25°C, I _F = 0.5A, I _R = 1.0A, I _{RR} = 0.25A)		t _{RR}	—	250	325	nsec

NOTES:

* Pulse Test: Pulse Width = 300μsec, Duty Cycle = 2%

1/ For Ordering Information, Price, and Availability Contact Factory.

2/ For Package Outlines Contact Factory.

3/ Up and Down Bend Configurations are Available for ‘—’ (Leaded) Packages Only.

4/ Derate Linearly at 0.28A/°C for T_C > 55°C.

5/ Unless Otherwise Specified, All Electrical Characteristics @25°C.

Available Part Numbers:

SDA669JF; SDA669JFT
SDA669KF; SDA669KFT
SDA669MF; SDA669MFT

Mounting Diagram: ^{2/}

