

Bimetallic Alu-Cu Compression Connectors

CFR Line

Bimetallic Al-Cu terminals for industrial application

Materials

- Alu. 99,5%
- Cu. 99,9%

Compression type

- Hexagonal

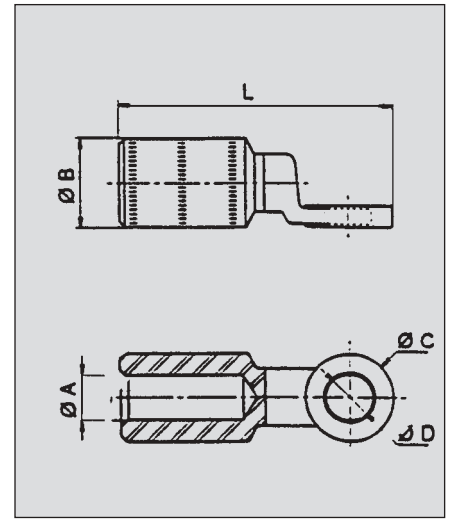
Packing

- 3 pieces in plastic bag

Tooling

- The indicated numbers in the tooling table refer to pages 48 - 63.

* See tooling catalogue



Sections (mm ²)	Cat. No	Dimensions (mm)					Hydraulic Tools		Qty Pack
		ØA	ØB	ØC	ØD	L	H80*	Y35/Y35BH Y750/Y750BH BAT35/BAT750	
								DIN 48043	
35	CFR35M8	8,0	16,0	16,5	8,4	57	70E173	UDK16 BGE1T	U140BGE5T
50	CFR50M8	9,0	16,0	16,5	8,4	57			
70	CFR70M10	11,0	20,0	20,0	10,5	63	E140	UDK20 BGE1T	U173BGE5T
95	CFR95M10	12,5	20,0	20,0	10,5	63			
120	CFR120M10	13,7	20,0	20,0	10,5	63	70E215	UDK26 BGE1T	U235BGE5T
150	CFR150M10	15,5	27,0	30,0	10,5	93			
	CFR150M12	15,5	27,0	30,0	12,8	93	E113	UDK32 BGE1T	U280BGE5T
185	CFR185M10	17,0	27,0	30,0	10,5	93			
	CFR185M12	17,0	27,0	30,0	12,8	93	70E215	UDK26 BGE1T	U235BGE5T
240	CFR240M10	19,5	27,0	30,0	10,5	93			
	CFR240M12	19,5	27,0	30,0	12,8	93	E113	UDK32 BGE1T	U280BGE5T
300	CFR300M10	22,0	32,0	36,0	10,5	102			
	CFR300M14	22,0	32,0	36,0	14,5	102	70E215	UDK26 BGE1T	U235BGE5T