
Features

- Eight DSPs and 24-bit Audio Router On-chip
- 32 kHz to 96 kHz Sampling Rate
- 16-bit Microcontroller On-chip
- Variety of I/Os, including SmartMedia® and DataFlash®
- Embedded RAM for Single Chip Operation (768 Kbits)
- Warm Start Power-down
- 1µA Typical Deep Power-down, 0.5 mW/MIPS Typical Operating
- Available in a 64-lead LQFP Package
- Ideal for Real-time Audio Applications
 - Professional Effect Processing (Reverb, Chorus, Flanger, Distortion, Equalizer)
 - Internal Routing and Mixing of 8-input/8-output Channels
 - Sampling Rate Conversion of Digital Inputs at up to 96 kHz at 24 bits
- Typical Applications: Professional Audio, Studio Equipment, Digital Mixer, Effect Devices, Equalizer

1. Description

The ATSAM3108B is a member of the new ATSAM3000 family that uses DSP array technology. The ATSAM3108B includes eight 24-bit DSPs, a 24-bit Audio Router and a general-purpose 16-bit on-chip CISC microcontroller. Its high performance and flexibility with 8-input/8-output channels enables implementation of audio applications in professional-quality sound production such as effect processing and digital mixing. A variety of I/Os, including, SmartMedia® and DataFlash® are provided. Sampling rates up to 96 kHz at 24 bits are supported.



Audio Processing

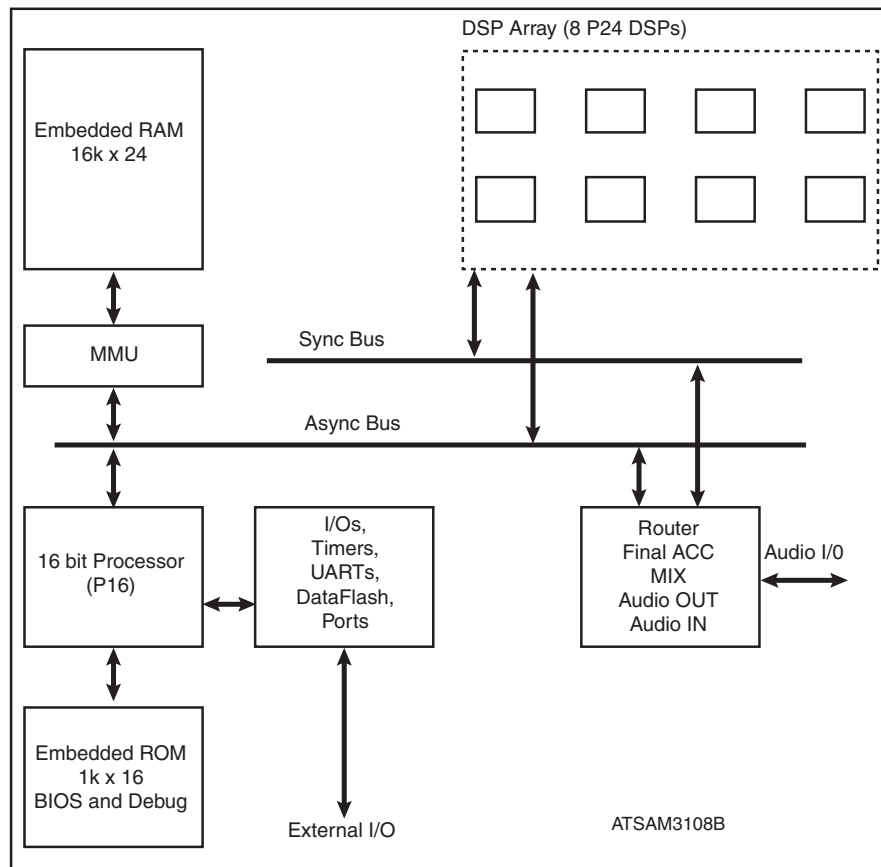
ATSAM3108B Eight-channel Multiprocessing Audio DSP

6092C-DRMSD-12-Feb-07



2. DSP Array Block Diagram

Figure 2-1. ATSAM3108B DSP Array Block Diagram



3. Functional Description

3.1 DSP Array

The ATSAM3108B includes eight on-chip DSPs.

Each DSP (P24) is built around a 2k x 24 RAM and a 1k x 24 ROM. The RAM contains both data and P24 instructions, the ROM contains typical coefficients such as FFT cosines and windowing. A P24 sends and receives audio samples through the Sync Bus. It can request external data such as compressed audio through the Async Bus. Each P24 RAM can be accessed through the Async Bus.

Each P24 is capable of typical MAC operation loops, including auto-indexing, bit reverse and butterfly (multiplication of complex numbers). It also includes specialized audio instructions such as state variable IIR filtering, envelope generation, linear interpolation and wavetable loop.

One P24 is sufficient for processing stereo reverb and chorus @48kHz or stereo sampling rate conversion @96kHz.

3.2 Sync Bus

The Sync Bus transfers data on a frame basis, typical frame rates being 32, 44.1, 48 or 96 kHz. Each frame is divided into 64 time slots. Each slot is divided into 4 bus cycles. Each P24 is assigned a hardwired time slot (8 to 63), during which it may provide 24-bit data to the bus (up to 4 data samples). Each P24 can read data on the bus at any time, allowing inter P24 communication at the current sampling rate. Slots 0 to 7 are reserved for a specific router DSP, which also handles audio out, audio in, and remix send.

3.3 Async Bus

The Async Bus has 24-bit data inside the chip and 16-bit data outside.

The P16 processor normally masters the Async Bus; it can read/write the P24 memories and the external or embedded ROM/RAM. However, each P24 can request a bus master cycle for accessing external ROM/RAM or other P24 memories. This allows efficient intercommunication between several P24s on asynchronous block basis. Specific P24 instructions FLOAT and FIX convert fixed-point DSP data to floating-point 16 bits. This allows for 20-bit audio dynamic range when using 16-bit external memory.

3.4 16-bit Processor

The P16 processor is widely used in ATSAM products. Using the P16 keeps large firmware investments from the ATSAM97xx series. A built-in ROM, connected to the P16 holds basic input/output software (BIOS) for peripherals such as UART, DataFlash, SmartMedia and MPU, as well as a debugger that uses a dedicated asynchronous serial line. The firmware can be downloaded at power-up into the built-in 16k x 24 RAM from serial EEPROM, DataFlash, SmartMedia or host.

3.5 MMU (Memory Management Unit)

The MMU handles transfer requests between the embedded RAM/ROM, the P16 and the P24s through the Async Bus. The ATSAM3108B includes 16k x 24 RAM on chip.

3.6 Router: Final ACC, MIX, Audio Out, Audio In

This block includes RAM (accessed through the Async Bus) that defines the routing from the Sync Bus to/from the Audio I/O or back to the Sync Bus (mix send). It takes care of mix and accumulation from Sync Bus samples. Eight channels of audio in and eight channels of audio out are provided (4-stereo in/out, I2S format). The stereo audio in channels may have a different sampling rate than the audio out channels. In this case, one (or more) P24 takes care of sampling rate conversion.

3.7 I/O

The ATSAM3108B includes very versatile I/Os, that share common pins for reduced pin count and small IC footprint. Most I/Os, when not used for a specific function, remain available as firmware controlled general-purpose pins.

The following peripherals are included on chip:

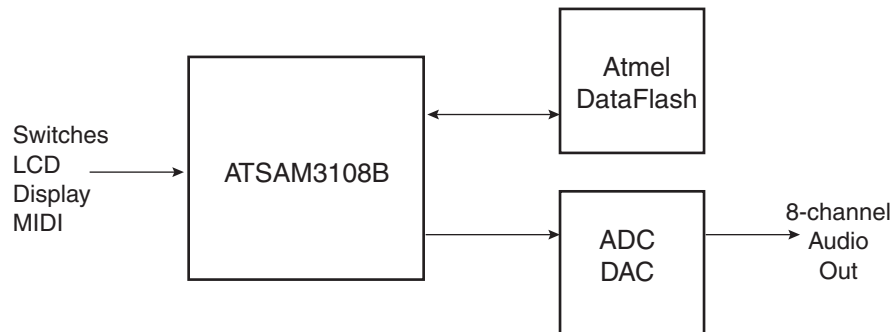
- 2 x 8-bit timers
- 2 x 16-bit timers
- Parallel slave 8-bit port, MPU401 compatible
- Parallel master 8-bit port, for connection to SmartMedia and/or LCD display, switches, etc.

- 2 x asynchronous bidirectional serial ports
- Synchronous serial slave port (SPI type host connection)
- SPI master bidirectional port for EEPROM or DataFlash connection
- Firmware controlled I/O pins

4. Typical Application Example

4.1 Professional Audio

Figure 4-1. Professional Audio Application



- Eight channels audio-in, eight channels audio-out @ 96kHz at 24-bit sampling rate
- Digital Mixer with the possibility of incoming audio sampling rate converter
- Effects
- Four Channels 31-band Equalizer
- Feedback Cancellor

5. DSP Capacity and I/O Configuration

5.1 DSP Considerations

The ATSAM3108B includes 8 x P24 DSPs. [Table 5-1](#) below lists the performance achievable by the P24.

Table 5-1. P24 Performance

Function	P24s Required
Stereo reverb and chorus @ 48 kHz	1
Stereo sampling rate conversion @ 96 kHz	1
31-band equalizer @ 96 kHz	3
Stereo 31-band equalizer @ 48 kHz	3
256 points FFT or IFFT @ 96 kHz, includes windowing	1

The ATSAM3108B runs firmware directly from the built in 16 x 24 RAM. It has no wave-table synthesis capability. The firmware should be downloaded at power-up.

- A small 256-Kbit external EEPROM with an SPI interface such as Atmel AT25256
- A DataFlash (current capacities range from 1Mbit to 64 Mbits) if audio storage functions are required
- A SmartMedia card (supported capacities from 8 Mbytes to 128 Mbytes)
- The parallel MPU type interface.

5.2 I/O Selection Considerations

I/Os are organized in groups, which can be mutually exclusive because they share the same IC pins (please refer to the pinout to identify the exclusions). The two main types of operation are host controlled and stand-alone.

5.2.1 Host-controlled Operation

There are three main possible ways of communication with a host processor:

- 8-bit parallel MPU type bidirectional interface. Signals: D7 - D0, \overline{CS} , \overline{WR} , \overline{RD} , A0, IRQ
- Asynchronous serial, MIDI_IN and optionally MIDI_OUT
- Synchronous serial. Signals: SDIN, SCLK, SYNC, \overline{INT}

5.2.2 Stand-alone Operation

Possible stand-alone modes are:

- Firmware into external EEPROM or DataFlash
- Firmware into external SmartMedia. In this case, the firmware should reside in the SmartMedia reserved sectors starting at sector # 1.

6. Pinout

6.1 Pin Description

In the Pin Description table below:

- Identical sharing number indicates multifunction pins.
- Pd indicates a pin with built-in pull-down resistor.
- Pu indicates a pin with built-in pull-up resistor.

Table 6-1. Pinout by Pin Name

Pin Name	Pin Number	Type	Sharing	Description
GND	4, 13, 19, 25, 36, 43, 48, 57	PWR	–	Digital ground. All of these pins should be returned to a ground plane.
VC18	12, 31, 46, 63	PWR	–	Core power. All of these pins should be returned to nominal 1.8V or to PWROUT if the built-in power switch is used.
VC33	3, 32	PWR	–	Periphery power. All these pins should be returned to nominal 3.3V.
PWRIN	18	PWR	–	Power switch input; should be returned to nominal 1.8V even if the power switch is not used.
PWROUT	17	PWR	–	Power switch output; should be connected to all VC18 pins if the power switch is used
D7 - D0	59, 58, 56, 55, 52, 51, 50, 49	I/O	1	Slave 8-bit interface data. Output if \overline{CS} and \overline{RD} are low (read from chip), input if \overline{CS} and \overline{WR} are low (write to chip). Type of data defined by A0 input.
I/O7 - I/O0	59, 58, 56, 55, 52, 51, 50, 49	I/O	1	SmartMedia data or other peripheral data
P0.7 - P0.0	59, 58, 56, 55, 52, 51, 50, 49	I/O	1	General-purpose I/O; can be programmed individually as input or output.
CLAD3 - 0	59, 58, 56, 55	In	1	Optional bit clocks for digital audio input. Used for sampling rate conversion for external incoming digital audio such as AES/BEU or S/Pdif.
WSAD3 - 0	52, 51, 50, 49	In	1	Optional word selects for digital audio input. Used for sampling rate conversion for external incoming digital audio such as AES/BEU or S/Pdif.
A0	60	In	2	Slave 8-bit interface address. Indicates data/status or data/ctrl transfer type ($\overline{CS}/\overline{RD}$, low or $\overline{CS}/\overline{WR}$ low)
SMPD	60	In	2	SmartMedia presence detect
P0.10	60	In	2	General-purpose input pin
SCLK	60	In	2	Serial slave synchronous interface input clock
CS	64	In	3	Slave 8-bit interface chip select, active low.
P0.11	64	In	3	General-purpose input pin
SYNC	64	In	3	Serial slave synchronous interface input sync signal
WR	1	In	4	Slave 8-bit interface write, active low. D7 - D0 data is sampled by chip on \overline{WR} rising edge if \overline{CS} is low

Table 6-1. Pinout by Pin Name (Continued)

Pin Name	Pin Number	Type	Sharin g	Description
SMC	1	In	4	SmartMedia configuration. This pin is sensed after power-up. If found low, it is assumed that a SmartMedia connector is present. The built-in firmware will wait for SmartMedia SMPD.
P0.12	1	In	4	General-purpose input pin
RD	2	In	5	Slave 8-bit interface read, active low. D7 - D0 data is output when \overline{RD} goes low and \overline{CS} is low
RIB	2	In	5	SmartMedia Ready Busy/ status
P0.13	2	In	5	General-purpose input pin
IRQ	8	Out	6	Slave 8-bit interface interrupt request. High when data is ready to be transferred from chip to host. Reset by a read from host ($\overline{CS} = 0$ and $\overline{RD} = 0$)
SMRE	8	Out	6	SmartMedia read enable (\overline{RE}), active low
FS0	8	In	6	Frequency sense, sensed at power up. Together with FS1, allows the firmware to know the operating frequency of the chip (see FS1).
P0.8	8	I/O	6	General-purpose I/O pin
INT	8	Out	6	Serial slave synchronous interface data request, active low.
MIDI_IN	9	In	7	Serial MIDI in
P0.14	9	In	7	General-purpose input pin
SDIN	9	In	7	Serial slave synchronous interface input data
MIDI_OUT	10	Out	8	Serial MIDI out
FS1	10	In	8	Frequency sense, sensed at power up. FS1/FS0 allow firmware to know operating frequency of chip as follows: 00 6.9552 MHz 01 9.6 MHz 10 11.2896 MHz 11 12.288 MHz
P0.9	10	I/O	8	General-purpose I/O
DABD3 - 0	42, 41, 40, 39	Out	-	Four stereo channels of digital audio output, I2S format
CLBD	6	Out	-	Audio bit clock for DABD3 - 0. Audio bit clock for DAAD3 - 0 if the corresponding CLAD3 - 0 is not used.
WSBD	7	Out	-	Audio left/right channel select for DABD3 - 0. Audio left/right channel for DAAD3 - 0 if the corresponding WSAD3 - 0 is not used.
CKOUT	5	Out	-	External DAC/Codec master clock. Same frequency as X2 pin. Can be programmed to be 128xFs, 192xFs, 256xFs, 384xFs, where Fs is the DAC/Codec sampling rate.
DAAD0	34	In	9	Stereo audio data input, I2S format. Can operate on CLBD master rate or CLAD0 external rate when sampling rate conversion is requested.
P0.15	34	In	9	General-purpose input pin
DAAD3 - 1	38, 37, 35	In Pd	-	Three additional channels of stereo audio input, I2S format. Can individually operate on CLBD master rate or corresponding CLAD3 - 1 when sampling rate conversion is requested. DAAD3 - 1 have built-in pull-downs. They may be left open if not used.

Table 6-1. Pinout by Pin Name (Continued)

Pin Name	Pin Number	Type	Sharin g	Description
MUTE	11	I/O	10	External DAC/Codec Mute. Sensed at power up. If found high, then MUTE becomes an active high output. If found low, then MUTE becomes an active low output.
P1.6	11	I/O	10	General-purpose I/O pin
SMCE	29	Out	11	SmartMedia chip enable (\overline{CE}), active low
P1.5	29	I/O	11	General-purpose I/O pin
SMALE	28	Out	12	SmartMedia address latch enable (ALE)
P1.4	28	I/O	12	General-purpose I/O pin
SMWE	27	Out	13	SmartMedia write enable (\overline{WE}), active low
P1.3	27	I/O	13	General-purpose I/O pin
SMCLE	26	Out	14	SmartMedia command latch enable (CLE)
P1.2	26	I/O	14	General-purpose I/O pin
DFCS	14	Out	-	DataFlash chip select
DFSI	16	Out	-	DataFlash serial input (to DataFlash)
DFSO	21	In Pd	-	DataFlash serial output (from DataFlash). This pin has a built-in pull-down. It may be left open if not used.
DFSCK	15	Out	-	DataFlash data clock
P1.15 – P1.11	30, 62, 61, 54, 53	I/O Pu	-	Five general-purpose I/O pins. These pins have built-in pull-ups. They may be left open if not used.
X1 – X2	45, 44	-	-	External crystal connection. Standard frequencies are 6.9552 MHz, 9.6 MHz, 11.2896 MHz, 12.288 MHz. Max frequency is 12.5 MHz. An external clock (max. 1.8 V _{pp}) can be connected to X1 using AC coupling (22 pF). A built-in PLL multiplies the clock frequency by 4 for internal use.
LFT	47	-	-	PLL decoupling RCR filter
RESET	22	In	-	Master reset Schmitt trigger input, active low. \overline{RESET} should be held low during at least 10 ms after power is applied. On the rising edge of \overline{RESET} , the chip enters an initialization routine, which may involve firmware download from an external SmartMedia, DataFlash or host.
STIN	23	In Pd	-	Serial test input. This is a 57.6 Kbaud asynchronous input used for firmware debugging. This pin is tested at power-up. The built-in debugger starts if STIN is found high. STIN has a built-in pull-down. It should be grounded or left open for normal operation.
STOUT	24	Out	-	Serial test output. 57.6 Kbaud async output used for firmware debugging.
PDWN	20	In	-	Power down input, active low. High level on this pin is typ. VC18. When \overline{PDWN} is low, the oscillator and PLL are stopped, the power switch opens, and the chip enters a deep sleep mode (1 μ A typ. consumption when power switch is used). To exit from power down, \overline{PDWN} has to be set high then \overline{RESET} applied. Alternate programmable power-downs are available which allow warm restart of the chip.
TEST	33	In Pd	-	Test input. Should be grounded or left open.

6.2 Pinout by Pin Number

Table 6-2. ATSAM3108B Pinout by Pin Number

PiN #	Name	PiN#	Name	PiN#	Name	PiN#	Name
1	\overline{WR} SMC P0.12	17	PWROUT	33	TEST	49	D0 I/O0 P0.0 WSAD0
2	\overline{RD} \overline{RIB} P0.13	18	PWRIN	34	DAAD0 P0.15	50	D1 I/O1 P0.1 WSAD1
3	VC33	19	GND	35	DAAD1	51	D2 I/O2 P0.2 WSAD2
4	GND	20	PDWN/	36	GND	52	D3 I/O3 P0.3 WSAD3
5	CKOUT	21	DFSO	37	DAAD2	53	P1.11
6	CLBD	22	RESET	38	DAAD3	54	P1.12
7	WSBD	23	STIN	39	DABD0	55	D4 I/O4 P0.4 CLAD0
8	IRQ \overline{SMRE} FS0 P0.8	24	STOUT	40	DABD1	56	D5 I/O5 P0.5 CLAD1
9	MIDI_IN P0.14 SDIN	25	GND	41	DABD2	57	GND
10	MIDI_OUT FS1 P0.9	26	SMCLE P1.2	42	DABD3	58	D6 I/O6 P0.6 CLAD2
11	MUTE P1.6	27	\overline{SMWE} P1.3	43	GND	59	D7 I/O7 P0.7 CLAD3
12	VC18	28	SMALE P1.4	44	X2	60	A0 SMPD P0.10 SCLK
13	GND	29	\overline{SMCE} P1.5	45	X1	61	P1.13
14	DFCS	30	P1.15	46	VC18	62	P1.14
15	DFSCK	31	VC18	47	LFT	63	VC18
16	DFSI	32	VC33	48	GND	64	\overline{CS} P0.11 SSSYNC

7. Marking



8. Mechanical Dimensions

Figure 8-1. Thin Plastic 64-lead Quad Flat Pack (LQFP64)

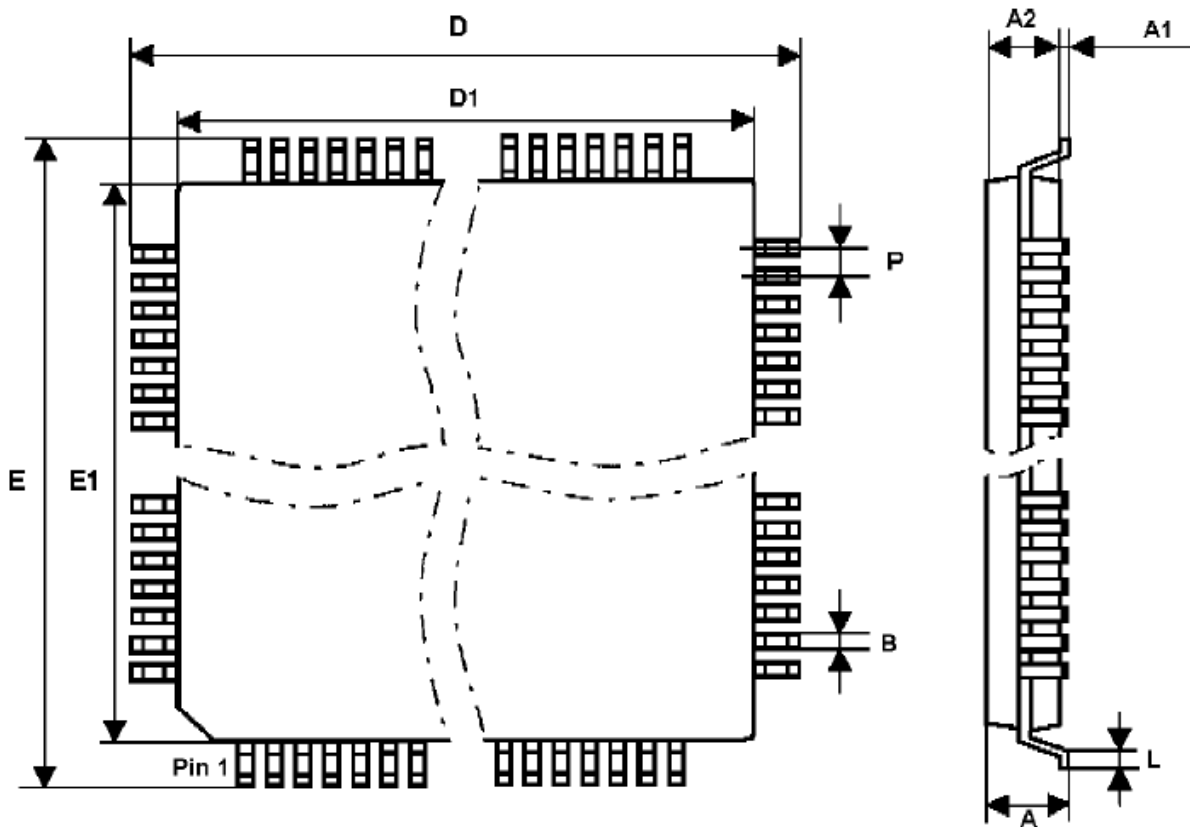


Table 8-1. Package Dimensions in mm

Denomination	Min	Nom	Max
A	1.40	1.50	1.60
A1	0.05	0.10	0.15
A2	1.35	1.40	1.45
L	0.45	0.60	0.75
D		12.00	
D1		10.00	
E		12.00	
E1		10.00	
P		0.50	
B	0.17	0.22	0.27

9. Electrical Characteristics

9.1 Absolute Maximum Ratings (*)

Ambient Temperature (power applied).....	-40° C to 85° C	<p>*NOTICE: Stresses beyond those listed under "Absolute Maximum Ratings" may cause permanent damage to the device. This is a stress rating only and functional operation of the device at these or any other conditions beyond those indicated in the Recommended Operating Conditions of this specification is not implied. Exposure to absolute maximum rating conditions for extended periods may affect device reliability.</p>
Storage Temperature	-65° C to 150° C	
Voltage on any pin		
X1, LFT	-0.3 to $V_{C18} + 0.3V$	
Others	-0.3 to $V_{C33} + 0.3V$	
Supply Voltage		
V_{C18}	-0.3V to 1.95V	
V_{C3}	-0.3V to 3.6V	
Maximum IOL per I/O pin.....	4 mA	

9.2 Recommended Operating Conditions

Table 9-1. Recommended Operating Conditions

Symbol	Parameter	Min	Typ	Max	Unit
V_{C18}	Supply voltage	1.65	1.8	1.95	V
V_{C33}	Supply voltage ⁽¹⁾	3	3.3	VC18 + 1.5 3.6	V
PWRIN	Supply voltage PWRIN pin	1.75	1.9	1.95	V
T_A	Operating ambient temperature	0	-	70	°C

Note: 1. Operation at lower V_{C33} values down to V_{C18} is possible, however external timing may be impaired. Contact Atmel in case of use of these circuits with V_{C33} outside the recommended operating range.

9.3 DC Characteristics

Table 9-2. DC Characteristics ($T_A = 25^\circ\text{C}$, $V_{C18} = 1.8\text{V} \pm 10\%$, $V_{C33} = 3.3\text{V} \pm 10\%$)

Symbol	Parameter	Min	Typ	Max	Unit
V_{IL}	Low level input voltage	-0.3	-	1.0	V
V_{IH}	High level input voltage, except X1, $\overline{\text{PDWN}}$	2.3	-	$V_{C33} + 0.3$	V
V_{IH}	High level input voltage X1, $\overline{\text{PDWN}}$	1.2	-	$V_{C18} + 0.3$	V
V_{OL}	Low level output voltage $I_{OL} = -2\text{ mA}$	-	-	0.4	V
V_{OH}	High level output voltage $I_{OH} = 2\text{ mA}$	2.9	-	-	V
I_{CC1}	VC18 power supply current (crystal freq.=11.2896 MHz, all 8 P24s running)	-	63	-	mA
I_{CC2}	VC18 power supply current (crystal freq. = 11.2896 MHz, all P24s stopped)	-	22	-	mA
I_{CC3}	VC18 power supply current (crystal freq. = 11.2896 MHz, all P24 stopped, warm start power-down active)	-	4	-	mA
I_{CC4}	VC18 deep power down supply current (using power switch)	-	1	10	μA
PU/PD	Built-in pull-up/pull-down resistor	10	-	56	k Ω

10. Peripherals and Timings

10.1 8-bit Slave Parallel Interface

The Slave Parallel Interface is typically used to connect the chip to a host processor.

Pins used: D7 - D0 (I/O), \overline{CS} (Input), A0 (Input), \overline{WR} (Input), \overline{RD} (Input), IRQ (Output).

10.1.1 Timings

Figure 10-1. Host Interface Read Cycle

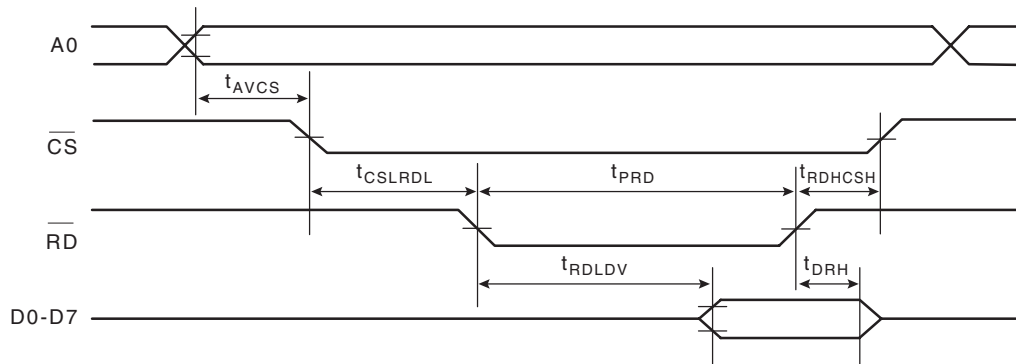


Figure 10-2. Host Interface Write Cycle

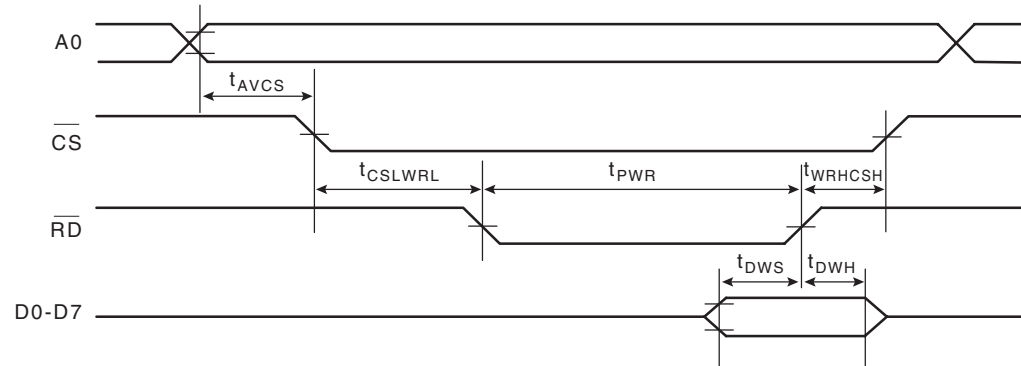


Table 10-1. Timing Parameters

Symbol	Parameter	Min	Typ	Max	Unit
t_{AVCS}	Address valid to chip select low	0	-	-	ns
t_{CSLRD_L}	Chip select low to \overline{RD} low	5	-	-	ns
t_{RDHCSH}	\overline{RD} high to \overline{CS} high	5	-	-	ns
t_{PRD}	\overline{RD} pulse width	50	-	-	ns
t_{RDL_DV}	Data out valid from \overline{RD}	-	-	20	ns
t_{DRH}	Data out hold from \overline{RD}	5	-	10	ns
t_{CSLWRL}	Chip select low to \overline{WR} low	5	-	-	ns
t_{WRHCSH}	\overline{WR} high to \overline{CS} high	5	-	-	ns

Table 10-1. Timing Parameters (Continued)

Symbol	Parameter	Min	Typ	Max	Unit
t_{PWR}	\overline{WR} pulse width	50	-	-	ns
t_{DWS}	Write data setup time	10	-	-	ns
t_{DWH}	Write data hold time	0	-	-	ns

10.1.2 IO Status Register

7	6	5	4	3	2	1	0
TE	RF	X	X	X	X	X	X

Status register is read when $A0 = 1$, $\overline{RD} = 0$, $\overline{CS} = 0$.

- **TE: Transmit Empty**

If 0, data from ATSAM3108B to host is pending and IRQ is high. Reading the data at $A0 = 0$ will set TE to 1 and clear IRQ.

- **RF: Receiver full.**

If 0, then ATSAM3108B is ready to accept DATA from host.

Note: If status bit RF is not checked by host, write cycle time should not be lower than 3 μ s.

10.2 SmartMedia and Other Peripheral Interfaces

The SmartMedia and Other Peripheral Interfaces is a master 8-bit parallel interface that provides connection to SmartMedia or other peripherals such as LCD screens.

Pins used: $I/O7 - I/O0$ (I/O), $SMPD$ (input), \overline{SMCE} , $SMALE$, $SMCLE$, \overline{SMRE} , \overline{SMWE} (outputs)

All of these pins are fully under firmware control, therefore timing compatibility is ensured by firmware only.

10.3 EEPROM/DataFlash Interface

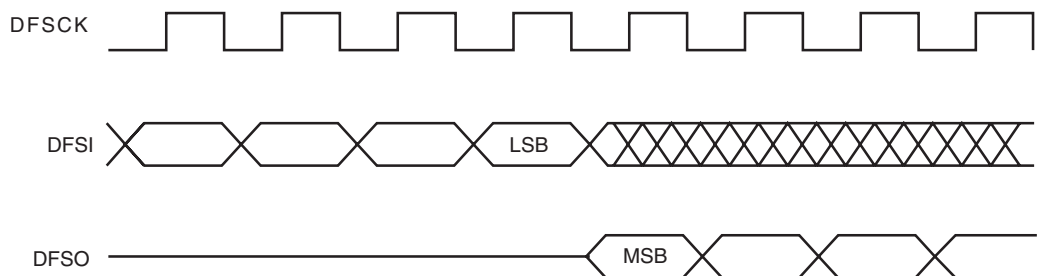
The EEPROM/DataFlash interface is a master synchronous serial interface, operating in SPI mode 0.

Pins used: \overline{DFCS} , $DFSI$, $DFSCK$ (outputs), $DFSO$ (input)

The $DFSCK$ frequency is firmware programmable from f_{ck} to $f_{ck}/64$, where f_{ck} is the crystal frequency. Thus a large variety of EEPROM/DataFlash devices can be accommodated.

Please refer to Atmel DataFlash datasheets for accurate SPI mode 0 timing.

Figure 10-3. DataFlash Interface Typical Timing



10.4 Serial Slave Synchronous Interface

The ATSAM3108B can be controlled by an external host processor through this unidirectional serial interface. However, no firmware can be downloaded at power-up through this interface. Therefore an external ROM/Flash/EEPROM is required.

Pins used: SCLK, SYNC, SDIN (inputs) $\overline{\text{INT}}$ (output)

Data is shifted into MSB first. The IC samples an incoming SDIN bit on the rising edge of SCLK, therefore the host should change SDIN on the negative SCLK edge.

SYNC allows initial synchronization. The rising edge of SYNC, which should occur with SCLK low, indicates that SDIN will hold MSB data on the next rising SCLK.

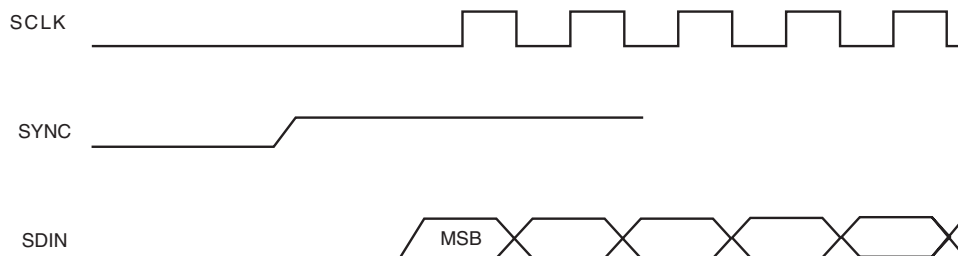
The data is stored internally into a 256-byte FIFO.

When the FIFO count is below 64, the $\overline{\text{INT}}$ output goes low. This allows the host processor to send data in burst mode.

The maximum SCLK frequency is t_{ck} (t_{ck} being the crystal frequency). The minimum time between two bytes is 64 t_{ck} periods.

The contents of the SDIN data are defined by the firmware.

Figure 10-4. Serial Slave Interface Typical Timing



10.5 Digital Audio

Pins used: CLBD (output), WSBD (output) DABD3 - 0 (outputs) DAAD3 - 0 (inputs)

Optionally: CLAD3 - 0 (inputs), WSAD3 - 0 (inputs)

The ATSAM3108B allows for 8 digital audio output channels and 8 digital audio input channels. All audio channels are normally synchronized on single clocks CLBD, WSBD which are derived from the IC crystal oscillator. However, as a firmware option, the DAAD3 - 0 inputs can be synchronized with incoming CLAD3 - 0 and WSAD3 - 0 signals. In this case, the incoming sampling frequencies must be lower or equal to the chip sampling frequency.

The digital audio timing follows the I2S standard, with up to 24 bits per sample

Figure 10-5. Digital Audio Timing

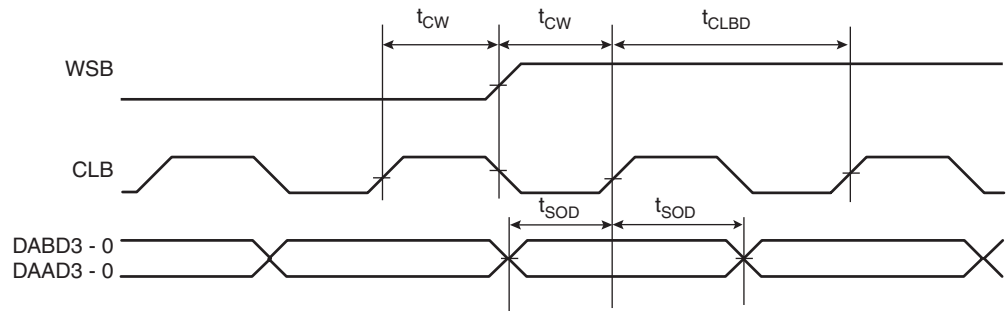


Table 10-2. Digital Audio Timing Parameters

Symbol	Parameter	Min	Typ	Max	Unit
t_{CW}	CLBD rising to WSBD change	$t_C - 10$	-	-	ns
t_{SOD}	DABD valid prior/after CLBD rising	$t_C - 10$	-	-	ns
t_{CLBD}	CLBD cycle time	-	$2 * t_C$	-	ns

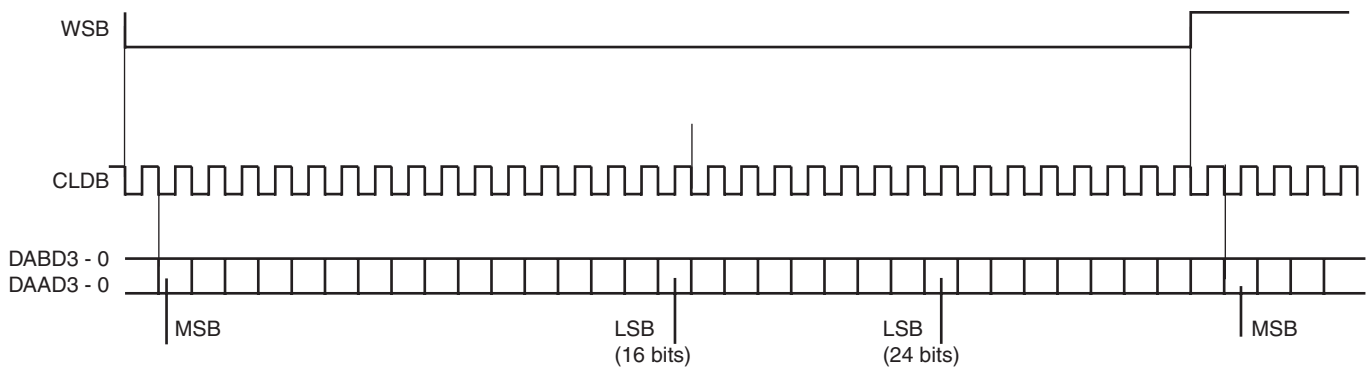
t_C is related to t_{CK} , the crystal period at X1 as follows:

Table 10-3. Sample Frequency

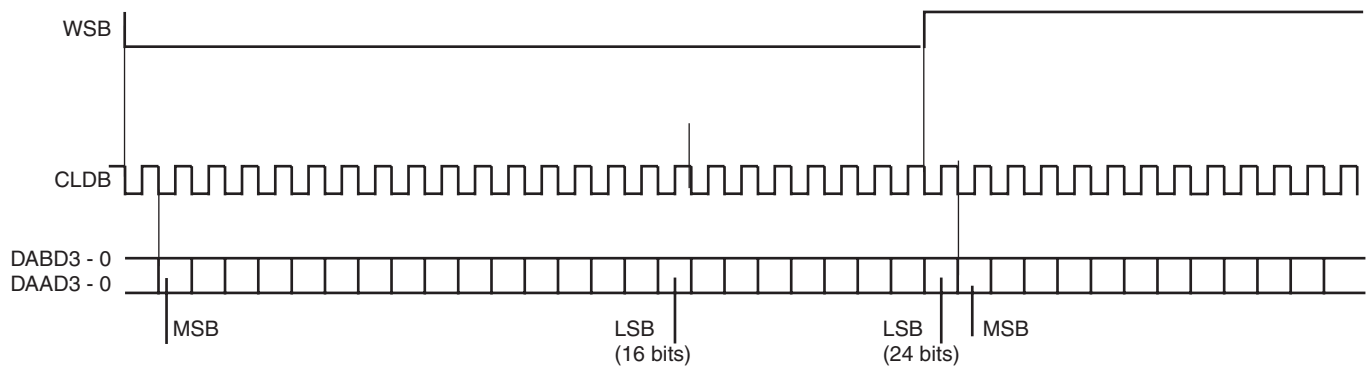
Sample Frequency WSBD	Typical Sample Frequency	t_C	CLBD/WSBD Frequency Ratio
$1/(t_{CK} * 128)$	96 kHz	t_{CK}	64
$1/(t_{CK} * 192)$	64 kHz	$2 * t_{CK}$	48
$1/(t_{CK} * 256)$	48 kHz	$2 * t_{CK}$	64
$1/(t_{CK} * 384)$	32 kHz	$4 * t_{CK}$	48

The choice of sample frequency is done by firmware.

10.6 Digital Audio Frame Format, 128 x Fs and 256 x Fs Modes



10.7 192 x Fs and 384 x Fs Modes



10.8 Serial MIDI_IN and MIDI_OUT

The serial MIDI IN and OUT signals are asynchronous signals following the MIDI transmission standard:

- Baud rate: 31.25 kHz
- Format: start, 8 data bits, 1 stop

11. Reset and Power-down

During power up, the $\overline{\text{RESET}}$ input should be held low until the crystal oscillator and PLL are stabilized, which takes max. 10 ms.

After the low to high transition of $\overline{\text{RESET}}$, the following happens:

- All P24s enter an idle state.
- P16 program execution starts in built-in ROM.

The power-up sequence is as follows:

- STIN is sensed. If HIGH, then the built-in debugger is started.
- $\overline{\text{SMC}}$ is sensed. If LOW, then the built-in loader waits for SmartMedia presence detect (SMPD). When detected, the firmware is down loaded from SmartMedia reserved sector 1 and started.
- An attempt is made to read the first two bytes of an external EEPROM or DataFlash. If "DR" is read, then the built-in loader loads the firmware from the external EEPROM/DataFlash and starts it.
- Firmware download from a host processor is assumed.
 1. The 0ACh byte is written to the host, this raises IRQ. The host can recognize that the chip is ready to accept program download. Higher speed transfer can be reached by polling the parallel interface status ($\overline{\text{CS}} = 0$, $\text{A0} = 1$, $\overline{\text{RD}} = 0$).
 2. The host sends the firmware size (in words) on two bytes (Low byte first).
 3. The host sends the ATSAM3108B firmware. The firmware should begin with string "DR".
 4. The 0ACh byte is written to the host, this raises IRQ. The host can recognize that the chip has accepted the firmware.
 5. ATSAM3108B starts the firmware.

If $\overline{\text{PDWN}}$ is asserted low, then the crystal oscillator and PLL will be stopped. If the power switch is used, then the chip enters a deep power down sleep mode, as power is removed from the core. To exit power down, $\overline{\text{PDWN}}$ has to be asserted high, then $\overline{\text{RESET}}$ applied.

Other power reduction features allowing warm restart are controlled by firmware:

- P24s can be individually stopped.
- The clock frequency can be internally divided by 256.

12. Recommended Board Layout

Like all HCMOS high integration ICs, following simple rules of board layout is mandatory for reliable operations:

- GND, VC33, VC18 distribution, decoupling

All GND, VC33, VC18 pins should be connected. A GND plane is strongly recommended. The board GND + VC33 distribution should be in grid form.

Recommended VC18 decoupling is 0.1 μ F at each corner of the IC with an additional 10 μ F decoupling close to the crystal. VC33 requires a single 0.1 μ F decoupling.

- Crystal, LFT

The paths between the crystal, the crystal compensation capacitors, the LFT filter R-C-R and the IC should be short and shielded. The ground return from the compensation capacitors and LFT filter should be the GND plane from the IC.

- Buses.

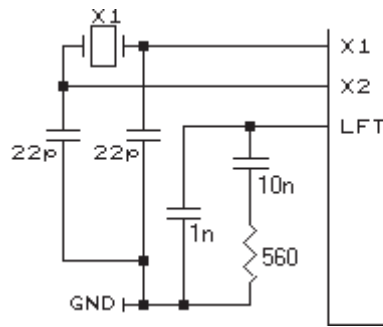
A ground plane should be implemented below the D0 - D7 bus that connects both to the host and to the IC GND.

- Analog Section

A specific AGND ground plane should be provided, which connects by a single trace to the GND ground. No digital signals should cross the AGND plane. Refer to the Codec vendor recommended layout for correct implementation of the analog section.

13. Recommended Crystal Compensation and LFT Filter

Figure 13-1. Recommended Crystal Compensation and LFT Filter



14. Product Development and Debugging

Atmel provides an integrated product development and debugging tool SamVS. SamVS runs under Windows® (98, ME, 2000, XP). Within the environment, it is possible to:

- Edit
- Assemble
- Debug on real target (In-circuit Emulation)
- Program Dataflash, EEPROM, SmartMedia on target.

Two dedicated IC pins, STIN and STOUT allow running firmware directly into the target using standard PC COM port communication at 57.6 Kbauds. Thus time-to-market is optimized by testing directly on the final prototype.

A library of frequently used functions is available, such as:

- Reverb/Chorus
- MP3 decode
- 31-band equalizer
- Parametric equalizer

Atmel engineers are available to study customer-specific applications.

Revision History

Table 14-1.

Doc. Rev	Comments	Change Request
6092A	First issue; 19-Nov-04	
6092B	TQFP package ref changed to LQFP	2639
6092C	Changed all references ATSAM3108 to ATSAM3108B. Added Section 7. "Marking" on page 10.	



Atmel Corporation

2325 Orchard Parkway
San Jose, CA 95131, USA
Tel: 1(408) 441-0311
Fax: 1(408) 487-2600

Regional Headquarters

Europe

Atmel Sarl
Route des Arsenaux 41
Case Postale 80
CH-1705 Fribourg
Switzerland
Tel: (41) 26-426-5555
Fax: (41) 26-426-5500

Asia

Room 1219
Chinachem Golden Plaza
77 Mody Road Tsimshatsui
East Kowloon
Hong Kong
Tel: (852) 2721-9778
Fax: (852) 2722-1369

Japan

9F, Tonetsu Shinkawa Bldg.
1-24-8 Shinkawa
Chuo-ku, Tokyo 104-0033
Japan
Tel: (81) 3-3523-3551
Fax: (81) 3-3523-7581

Atmel Operations

Memory

2325 Orchard Parkway
San Jose, CA 95131, USA
Tel: 1(408) 441-0311
Fax: 1(408) 436-4314

Microcontrollers

2325 Orchard Parkway
San Jose, CA 95131, USA
Tel: 1(408) 441-0311
Fax: 1(408) 436-4314

La Chantrerie

BP 70602
44306 Nantes Cedex 3, France
Tel: (33) 2-40-18-18-18
Fax: (33) 2-40-18-19-60

ASIC/ASSP/Smart Cards

Zone Industrielle
13106 Rousset Cedex, France
Tel: (33) 4-42-53-60-00
Fax: (33) 4-42-53-60-01

1150 East Cheyenne Mtn. Blvd.
Colorado Springs, CO 80906, USA
Tel: 1(719) 576-3300
Fax: 1(719) 540-1759

Scottish Enterprise Technology Park
Maxwell Building
East Kilbride G75 0QR, Scotland
Tel: (44) 1355-803-000
Fax: (44) 1355-242-743

RF/Automotive

Theresienstrasse 2
Postfach 3535
74025 Heilbronn, Germany
Tel: (49) 71-31-67-0
Fax: (49) 71-31-67-2340

1150 East Cheyenne Mtn. Blvd.
Colorado Springs, CO 80906, USA
Tel: 1(719) 576-3300
Fax: 1(719) 540-1759

Biometrics

Avenue de Rochepleine
BP 123
38521 Saint-Egreve Cedex, France
Tel: (33) 4-76-58-47-50
Fax: (33) 4-76-58-47-60

Literature Requests

www.atmel.com/literature

Disclaimer: The information in this document is provided in connection with Atmel products. No license, express or implied, by estoppel or otherwise, to any intellectual property right is granted by this document or in connection with the sale of Atmel products. **EXCEPT AS SET FORTH IN ATMEL'S TERMS AND CONDITIONS OF SALE LOCATED ON ATMEL'S WEB SITE, ATMEL ASSUMES NO LIABILITY WHATSOEVER AND DISCLAIMS ANY EXPRESS, IMPLIED OR STATUTORY WARRANTY RELATING TO ITS PRODUCTS INCLUDING, BUT NOT LIMITED TO, THE IMPLIED WARRANTY OF MERCHANTABILITY, FITNESS FOR A PARTICULAR PURPOSE, OR NON-INFRINGEMENT. IN NO EVENT SHALL ATMEL BE LIABLE FOR ANY DIRECT, INDIRECT, CONSEQUENTIAL, PUNITIVE, SPECIAL OR INCIDENTAL DAMAGES (INCLUDING, WITHOUT LIMITATION, DAMAGES FOR LOSS OF PROFITS, BUSINESS INTERRUPTION, OR LOSS OF INFORMATION) ARISING OUT OF THE USE OR INABILITY TO USE THIS DOCUMENT, EVEN IF ATMEL HAS BEEN ADVISED OF THE POSSIBILITY OF SUCH DAMAGES.** Atmel makes no representations or warranties with respect to the accuracy or completeness of the contents of this document and reserves the right to make changes to specifications and product descriptions at any time without notice. Atmel does not make any commitment to update the information contained herein. Unless specifically provided otherwise, Atmel products are not suitable for, and shall not be used in, automotive applications. Atmel's products are not intended, authorized, or warranted for use as components in applications intended to support or sustain life.

© 2006 Atmel Corporation. **All rights reserved.** Atmel®, logo and combinations thereof, Everywhere You Are®, Dream®, DataFlash® and others, are registered trademarks or trademarks of Atmel Corporation or its subsidiaries. Windows® and others, are registered trademarks or trademarks of Microsoft Corporation in the US and/or other countries. Other terms and product names may be the trademarks of others.