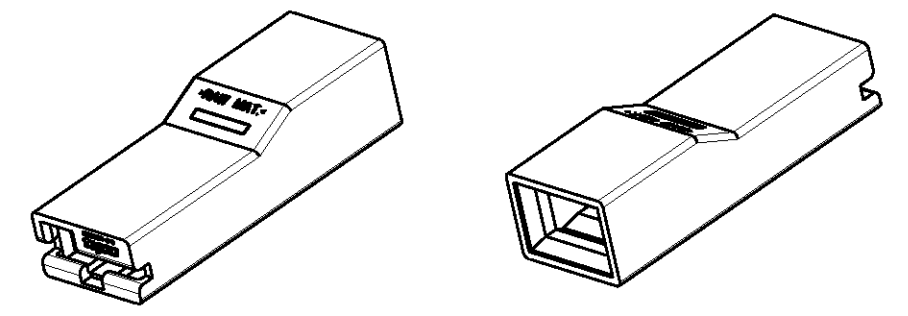
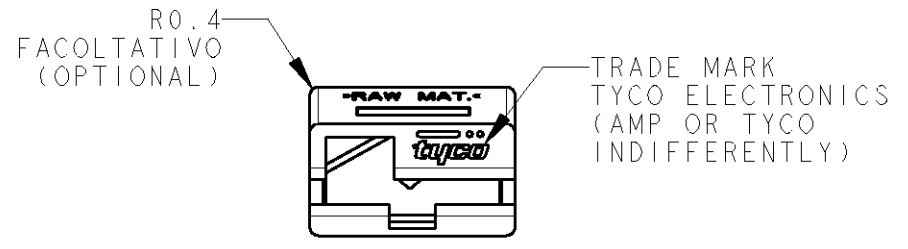
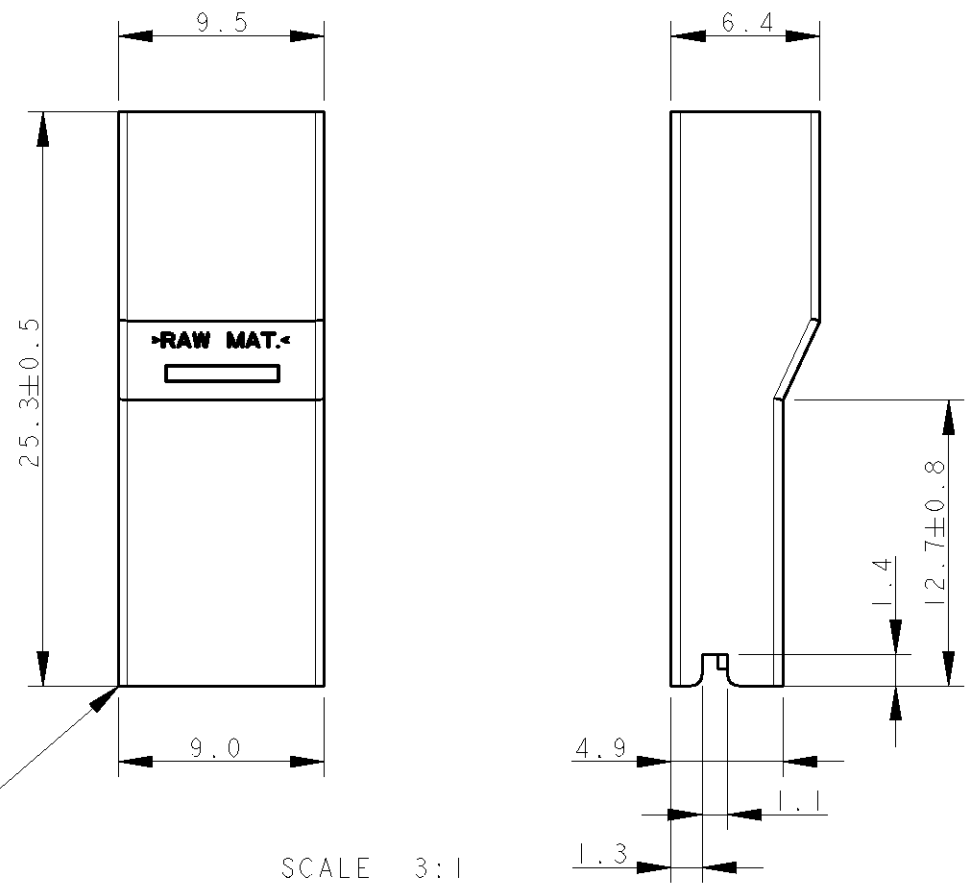


THIS DRAWING IS UNPUBLISHED. RELEASED FOR PUBLICATION 2003
 © COPYRIGHT 2003 BY TYCO ELECTRONICS CORPORATION. ALL RIGHTS RESERVED.

LOC	DIST	REVISIONS					
		P	LTR	DESCRIPTION	DATE	DWN	APVD
1	-		U2	REDRAWN AND ADDED DASH 8, ET00-0215-04	05 NOV 2004	HY	GT



SCALE 2:1



- 1 BLOCCHETTO ADATTO PER TERMINALI FEMMINA PER LA SERIE 6.3 mm FASTON CON RANGO FILO DA 0.8-2.5 MM2. (SUITABLE FOR RECEPTACLE TERMINALS WITH WIRE RANGE 0.8-2.5 mm2).
- 2 BAVA ACCETTABILE: 0.3 MAX (FLASH PERMISSIBLE: 0.3 MAX.)
- 3 SPECIFICA DI PRODOTTO: 108-20035 (PRODUCT SPEC.: 108-20035)
- 4 NON ANCORA RILASCIATO IN PRODUZIONE (NOT YET RELEASED FOR PRODUCTION)

NOTE	COLORE (COLOUR)	MATERIALE (MATERIAL)	TYCO P/N	REV
2,4	NATURALE (NATURAL)	PA 6 (PA 6 UNFILLED)	280232-8	
1,2,3	NATURALE (NATURAL)	PA 6.6 UL 94-V0 (PA 6.6 UL 94-V0 UNFILLED)	280232-6	
1,2,3	NERO (BLACK)	PA 6.6 (PA 6.6 UNFILLED)	280232-5	
1,2,3	ROSSO (RED)		280232-1	
1,2,3	NATURALE (NATURAL)		280232-0	

DIMENSIONS: mm 		TOLERANCES UNLESS OTHERWISE SPECIFIED: 0 PLC ± 1 PLC ±0.3 2 PLC ± 3 PLC ± 4 PLC ± ANGLES ±° FINISH -		DWN H. YAALI 29OCT2004 CHK G. TURCO APVD - PRODUCT SPEC SEE NOTE 3 APPLICATION SPEC - WEIGHT -	tyco Electronics AMP Italia S.p.A. Corso F.lli Cervi, 15 COLLEGNO (TO)
MATERIAL SEE TABLE		NAME POST INSULATION FOR FASTON 6.3 mm series RECEPTACLE CONTACT		SIZE A3 CAGE CODE 00779 C=280232 DRAWING NO RESTRICTED TO -	
CUSTOMER DRAWING				SCALE 3:1	SHEET 1 OF 1 REV U2