

Features

- For use in cable-to-cable and cable-to-panel applications
- Designed for medium duty
- Plug prongs are .250" (6.35mm) wide and .055" (1.40mm) thick
- Polarized to prevent wrongway insertion
- Plugs have projecting flat blades, sockets have recessed twin bellows
- Cable clamps of zinc and clear irridite-plated steel used for strain relief
- Bifurcated bellows socket contact provides four individual flexing surfaces for maximum contact with the blade
- Plugs and sockets have recessed pockets with barriers around the contacts
- A shoulder extends around the face (mating) side of both plug and socket presenting a finished appearance when mounted in bracket or cap
- Angle brackets can be ordered as specials
- Interates with 400 Series
- UL Recognized—file E19071
- CSA—LR31996-2
- Polarizing patterns and panel cutout information are described on page 77

Performance

Materials

Insulation Material: Molded monoblock, general purpose phenolic, black

Contact Material:

Plug: brass
Socket: phosphor bronze

Contact Plating: Cadmium

Operating Temperature: Up to +105°C

Hood Material: Formed metal with dielectric liner in hood to prevent shorting

Electrical Characteristics

Withstanding Voltage: 1700 VAC rms (@ sea level)

Current Rating: 15 Amps

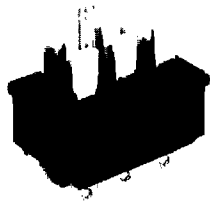
Contact Resistance: 1.0 Milliohms maximum

Ordering Information

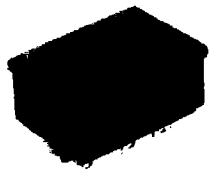
P	24	02	-	LAB
Contact Style		No. of		Mounting Configuration Suffix
P = Plug		Contacts		LAB = Less Angle Bracket
S = Socket		02		SB = Shallow Bracket
	Series Designator	04		DB = Deep Bracket
	24 = 2400 Series	06		CCE = Cable Clamp End, 90°
		08		CCT = Cable Clamp Top, 180°
		10		
		12		

**Jones
Plugs/Sockets
Series 2400**

**Multiple Density
Solder Eyelet
Without Angle Bracket**

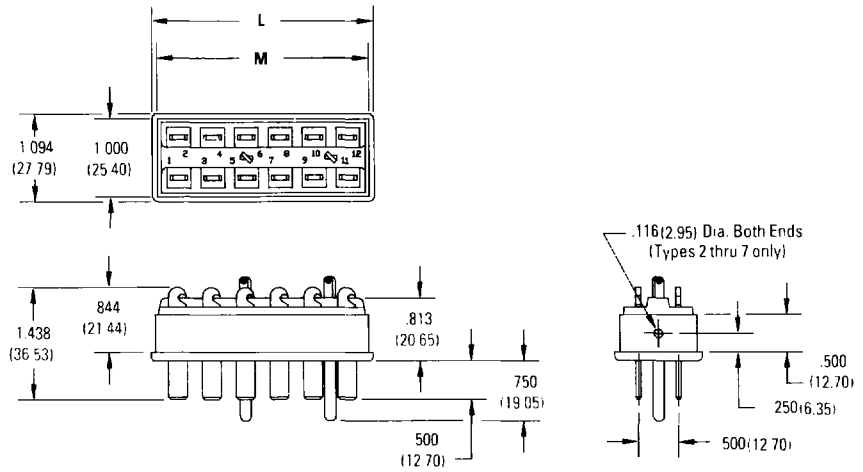


Plug



Socket

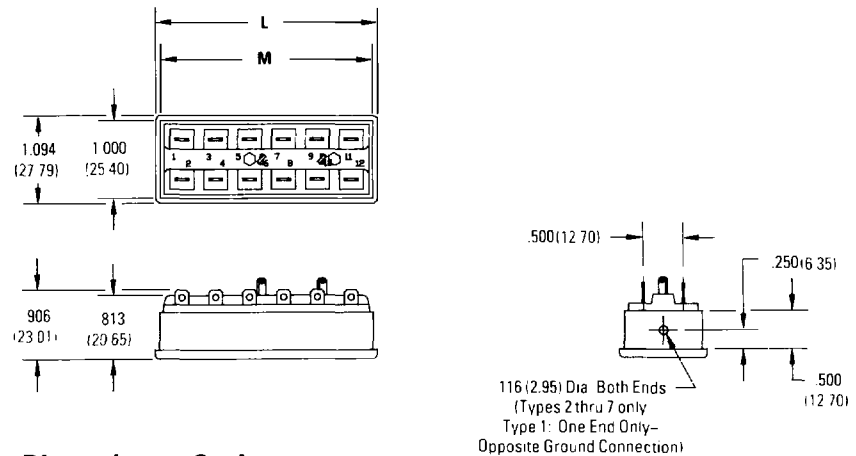
Plug



Dimensions—Plug

No. of Contacts	Type	M		L	
		in	mm	in	mm
2	1	.563	14.29	.656	16.67
4	2	1.000	25.40	1.094	27.78
6	3	1.438	36.51	1.531	38.89
8	4	1.875	47.63	1.969	50.01
10	5	2.313	58.74	2.406	61.12
12	6	2.750	69.85	1.844	46.83
2	7	.563	14.29	.656	16.67

Socket



Dimensions—Socket

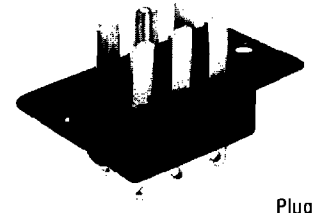
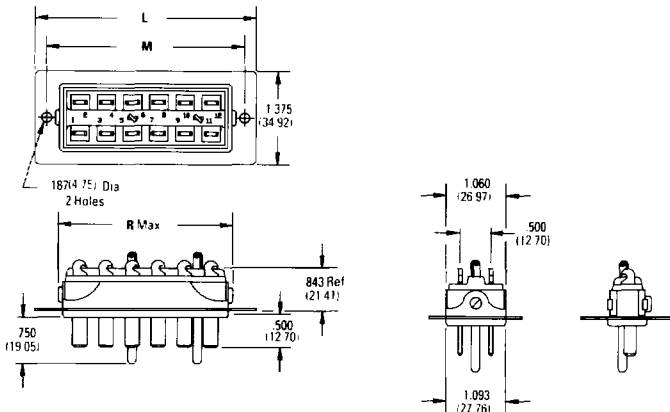
No. of Contacts	Type	M		L	
		in	mm	in	mm
2	1	.563	14.29	.656	16.67
4	2	1.000	25.40	1.094	27.78
6	3	1.438	36.51	1.531	38.89
8	4	1.875	47.63	1.969	50.01
10	5	2.313	58.74	2.406	61.12
12	6	2.750	69.85	1.844	46.83

**Jones
Plugs/Sockets
Series 2400**

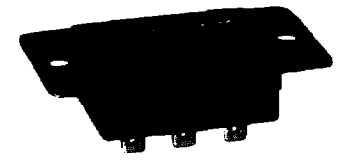
Multiple Density
Solder Eyelet
Shallow Bracket

CINCH

Plug



Plug

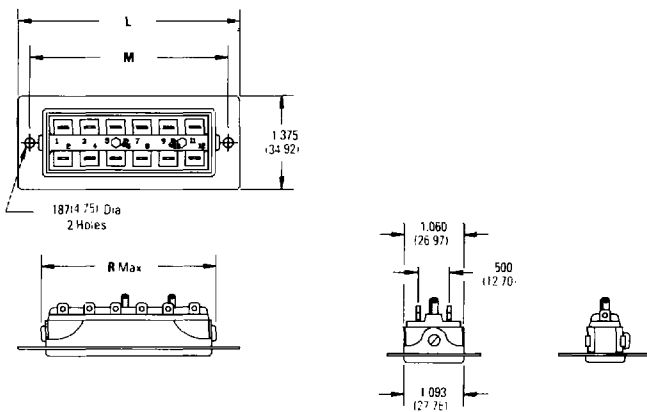


Socket

Dimensions—Plug

No. of Contacts	Type	L		M		R Max.	
		in	mm	in	mm	in	mm
2	2	1.500	38.10	1.062	26.99	1.766	19.45
4	1	1.937	49.21	1.500	38.10	1.234	31.34
6	1	2.375	60.33	1.938	49.23	1.672	42.47
8	1	2.813	71.45	2.375	60.33	2.109	53.57
10	1	3.250	82.55	2.813	71.45	2.547	64.69
12	1	3.688	93.68	3.250	82.55	2.984	75.80

Socket



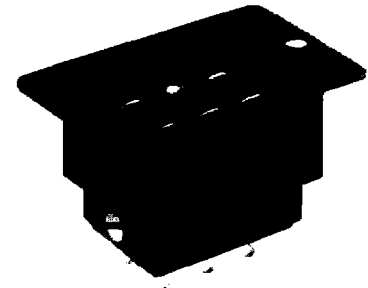
Type 1 Type 2

Dimensions—Socket

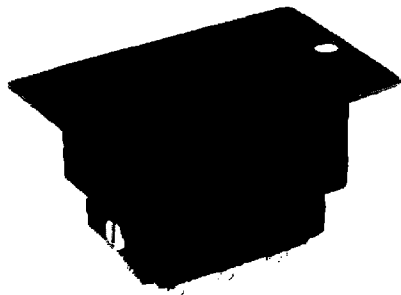
No. of Contacts	Type	L		M		R Max.	
		in	mm	in	mm	in	mm
2	2	1.500	38.10	1.062	26.99	1.766	19.45
4	1	1.937	49.21	1.500	38.10	1.234	31.34
6	1	2.375	60.33	1.938	49.23	1.672	42.47
8	1	2.813	71.45	2.375	60.33	2.109	53.57
10	1	3.250	82.55	2.813	71.45	2.547	64.69
12	1	3.688	93.68	3.250	82.55	2.984	75.80

**Jones
Plugs/Sockets
Series 2400**

**Multiple Density
Solder Eyelet
Deep Bracket**

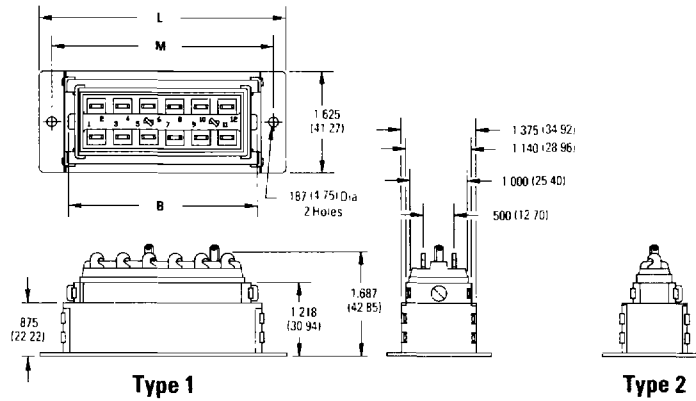


Plug



Socket

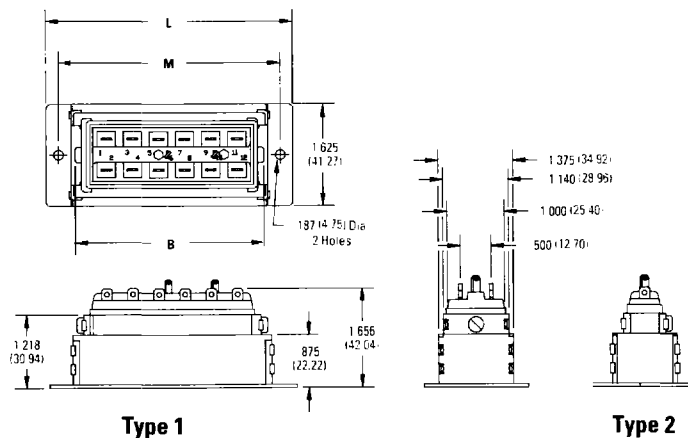
Plug



Dimensions—Plug

No. of Contacts	Type	B		L		M	
		in	mm	in	mm	in	mm
2	2	.922	23.42	1.750	44.45	1.313	33.35
4	1	1.359	34.53	2.188	55.58	1.750	44.45
6	1	1.797	45.64	2.625	57.53	2.188	55.58
8	1	2.234	56.74	3.063	77.79	2.625	66.68
10	1	2.672	67.87	3.500	88.90	3.063	77.80
12	1	3.109	78.97	3.938	100.03	3.500	88.90

Socket



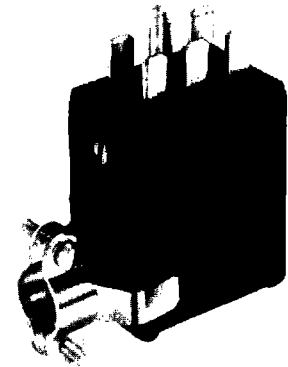
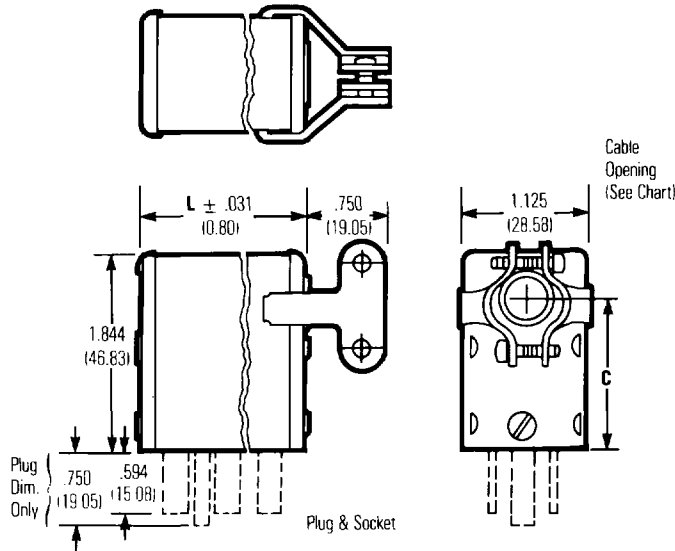
Dimensions—Socket

No. of Contacts	Type	B		L		M	
		in	mm	in	mm	in	mm
2	2	.922	23.42	1.750	44.45	1.313	33.35
4	1	1.359	34.53	2.188	55.58	1.750	44.45
6	1	1.797	45.64	2.625	57.53	2.188	55.58
8	1	2.234	56.74	3.063	77.79	2.625	66.68
10	1	2.672	67.87	3.500	88.90	3.063	77.80
12	1	3.109	78.97	3.938	100.03	3.500	88.90

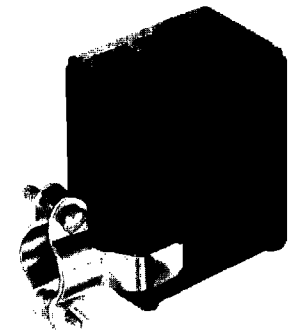
**Jones
Plugs/Socket
Series 2400**

Multiple Density
Solder Eyelet
90° Clamp

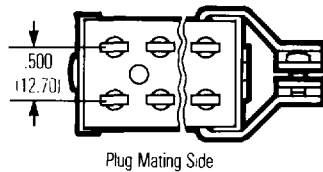
CINCH



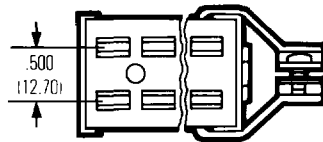
Plug



Socket



Plug Mating Side



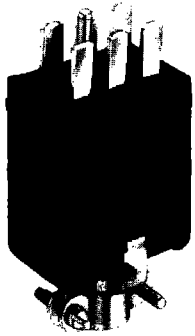
Socket Mating Side

Dimensions

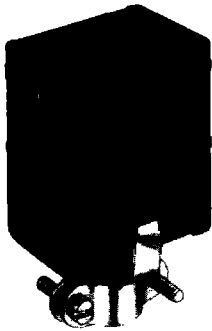
No. of Contacts	L		C		Cable Opening	
	in	mm	in	mm	in	mm
2	.625	15.88	1.375	34.93	.375	9.53
4	1.062	26.99	1.375	34.93	.438	11.11
6	1.500	38.10	1.375	34.93	.438	11.11
8	1.937	49.21	1.344	34.13	.563	14.29
10	2.375	60.33	1.344	34.13	.563	14.29
12	2.813	71.45	1.312	33.34	.625	15.88

**Jones
Plugs/Sockets
Series 2400**

**Multiple Density
Solder Eyelet
180° Clamp**

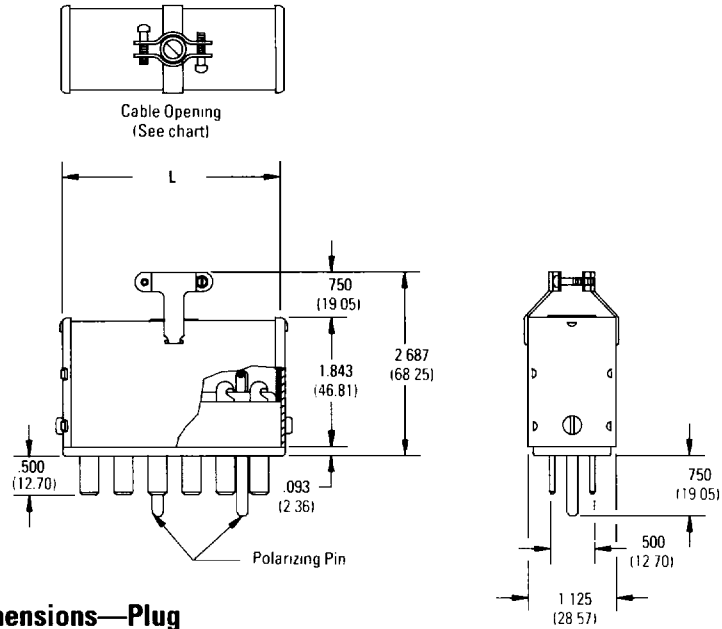


Plug



Socket

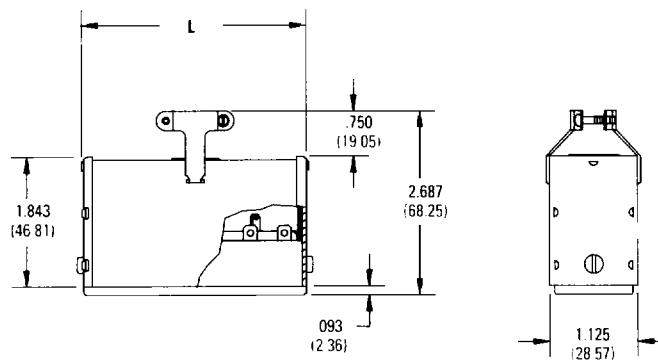
Plug



Dimensions—Plug

No. of Contacts	L		Cable Opening	
	in	mm	in	mm
2	.625	15.88	.313	7.94
4	1.062	26.99	.438	11.11
6	1.500	38.10	.438	11.11
8	1.937	49.21	.563	14.29
10	2.375	60.33	.563	14.29
12	2.813	71.45	.625	15.88

Socket



Dimensions—Socket

No. of Contacts	L		Cable Opening	
	in	mm	in	mm
2	.625	15.88	.313	7.94
4	1.062	26.99	.438	11.11
6	1.500	38.10	.438	11.11
8	1.937	49.21	.563	14.29
10	2.375	60.33	.563	14.29
12	2.813	71.45	.625	15.88