

Customer Information Sheet

DRAWING No.: M50-300XX45

SHEET 3 OF 3

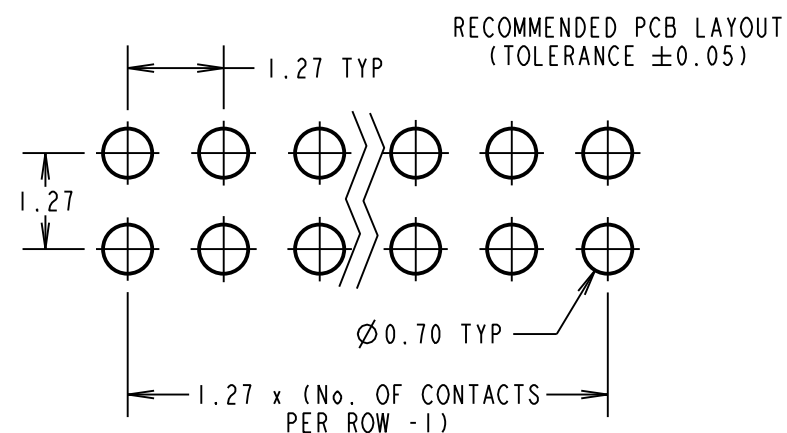
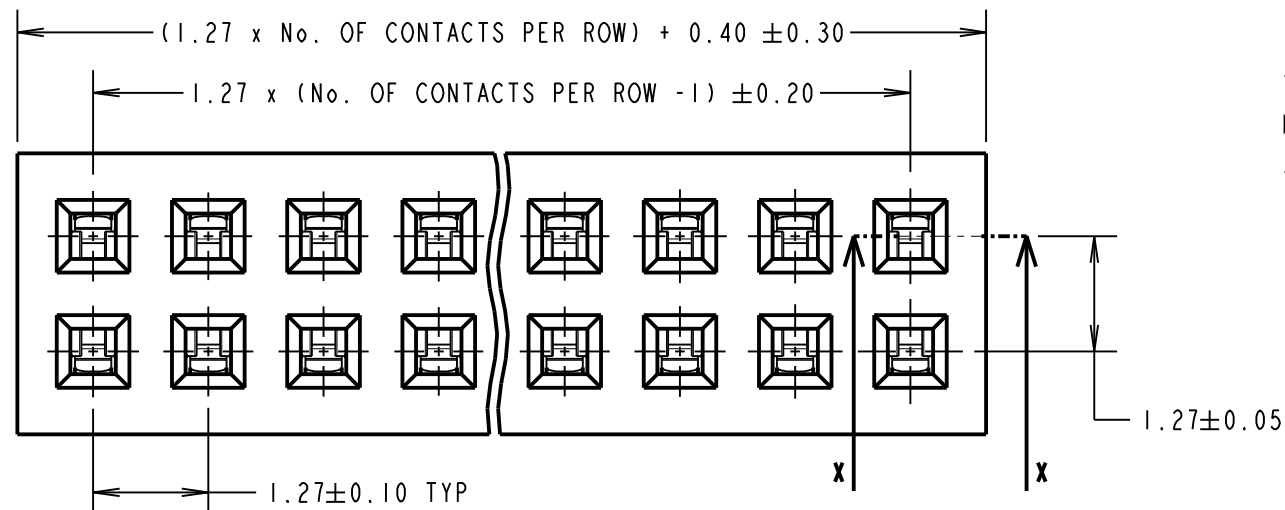
IF IN DOUBT - ASK

(C)

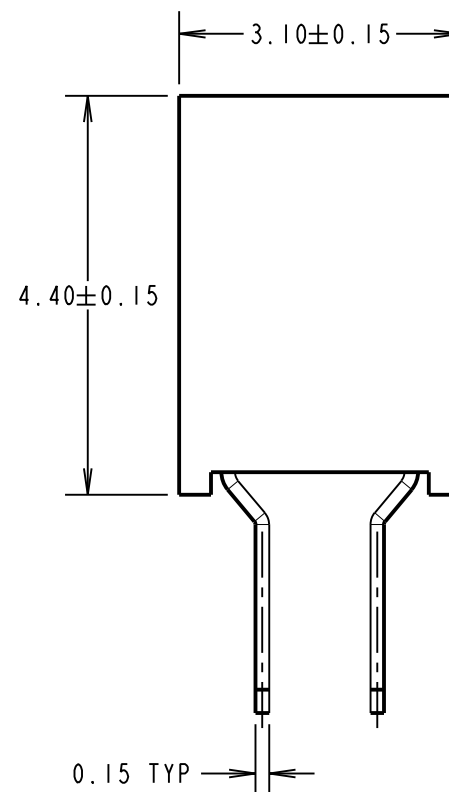
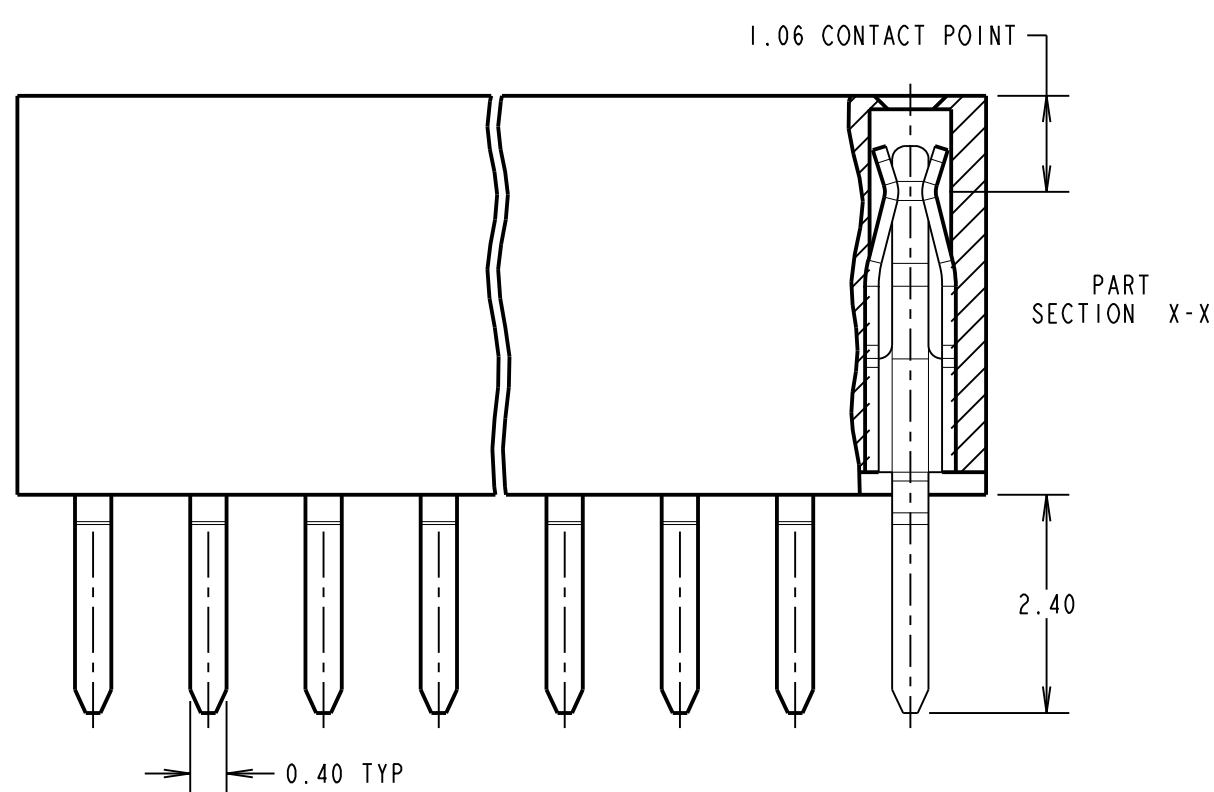
NOT TO SCALE

THIRD ANGLE PROJECTION

ALL DIMENSIONS IN mm



SPECIFICATIONS:
MATERIAL:
 MOULDING = NYLON 6T, UL94V-0, BLACK
 CONTACT = PHOSPHOR BRONZE
FINISH:
 45 = GOLD OVER NICKEL
ELECTRICAL:
 CURRENT RATING = 1A
 VOLTAGE PROOF = 1000V AC_{rms}/DC
 CONTACT RESISTANCE = 20mΩ MAX
 INSULATION RESISTANCE = 1,000 MΩ MIN
MECHANICAL:
 DURABILITY = 300 CYCLES MIN
 CONTACT INSERTION FORCE = 1.50N MAX
 CONTACT WITHDRAWAL FORCE = 0.10N MIN
ENVIRONMENTAL:
 OPERATING TEMPERATURE = -40°C TO +105°C
PACKING:
 TUBE
 FOR COMPLETE SPECIFICATION, SEE COMPONENT SPECIFICATION C029XX (LATEST ISSUE)



ORDER CODE:
M50-300XX45
 No. OF CONTACTS PER ROW: 03 TO 50
 FINISH: 45 = GOLD FLASH OVER NICKEL

NOTES:
 1. ALL TOLERANCES ARE ±0.25 UNLESS OTHERWISE STATED

SB	12	15.01.13	11828
NAME	ISS.	DATE	C/NOTE
APPROVED:		S.BENNETT	
CHECKED:		S.FLOWER	
DRAWN:		W.J.BOURNE	
CUSTOMER REF.:			
ASSEMBLY DRG:			

HARWIN

www.harwin.com
 technical@harwin.com

THIS DRAWING AND ANY INFORMATION OR DESCRIPTIVE MATTER SET OUT HEREON ARE CONFIDENTIAL AND COPYRIGHT PROPERTY OF THE HARWIN GROUP AND MUST NOT BE DISCLOSED, LOANED, COPIED OR USED FOR MANUFACTURING, TENDERING OR FOR ANY OTHER PURPOSE WITHOUT THEIR WRITTEN PERMISSION.

TOLERANCES
 X. = ±1mm
 X.X = ±0.25mm
 X.XX = ±0.10mm
 X.XXX = ±0.01mm
 ANGLES = ±5°
 UNLESS STATED

MATERIAL: SEE ABOVE
FINISH: SEE ABOVE
S/AREA: mm²

TITLE: 1.27mm PITCH DIL VERTICAL SOCKET ASSY

DRAWING NUMBER: M50-300XX45

SHT 3 OF 3