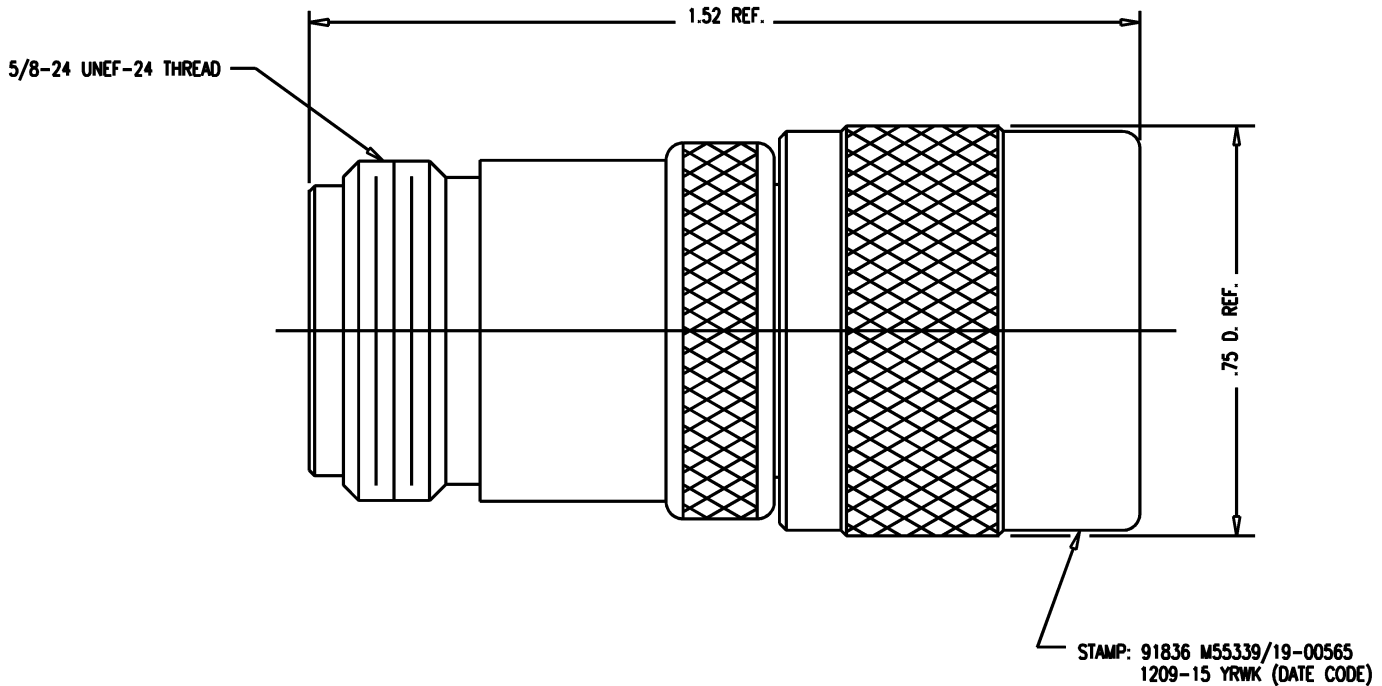


# SD

M55339/19-00565



- NOTES:**
1. N INTERFACE PER MIL-STD-348, FIG. 304-2.
  2. C INTERFACE PER MIL-STD-348, FIG. 302-1.
  3. MATERIALS:
    - INSULATORS- TEFLON, ASTM-D-4894
    - GASKET- SILICONE RUBBER, ZZ-R-765
    - CENTER CONTACT } BER. COP., ASTM-B-196
    - OUTER CONTACT } SPRING WASHER }
    - C RING- HARD DRAWN COPPER WIRE PER QQ-W-336
    - ALL OTHER PARTS-BRASS, ASTM-B16
  4. FINISHES:
    - CENTER CONTACT & C RING-GOLD PLATE PER MIL-G-45204
    - OUTER CONTACT & SPRING WASHER-SILVER PLATE PER QQ-S-365
    - ALL OTHER METAL PARTS-SILVER PLATE PER QQ-S-365
  5. ELECTRICAL CHARACTERISTICS:
    - NOMINAL IMPEDANCE-50 OHMS
    - WORKING VOLTAGE-1000 VRMS
    - FREQUENCY RANGE-DC TO 11 GHZ

REVISIONS	
ISSUE	CHANGES
1	RESTRICTED USAGE NM 06/30/77
2	RESTRICTION REMOVED ER 18105 NM 03/02/78
3	CN 23170 E MA 03/19/82
4	CN 35618 D ME 01/09/95
5	CN 37594 C REDRAWN TML 02/16/00
6	CN 38329 E TML 06/01/01

1209-15S

SCALE 4:1	
APPROX SURFACE AREA	
1209-15	
USED ON	
REF:	
ADAPTER N(F)-C(M)	
DRAWN JHP	DATE 06/10/77
DESIGN	DATE
APPR. JC	DATE 09/27/77

**KINGS**  
ELECTRONICS CO., INC.  
ROCK HILL, SOUTH CAROLINA 29730

M55339/19-00565

# SD