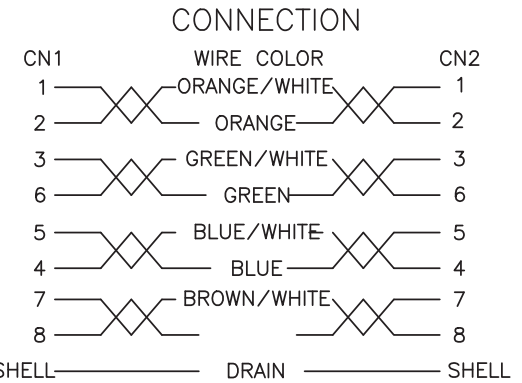
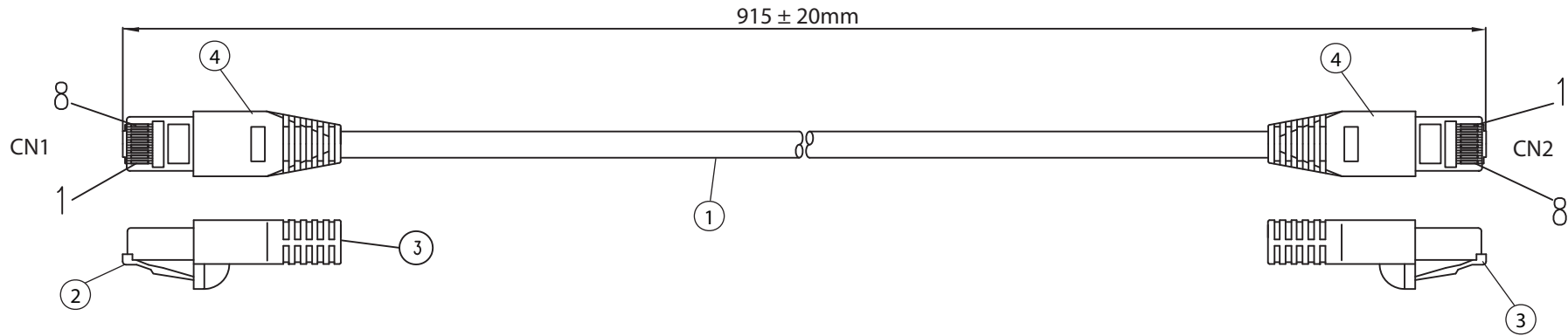


THESE DRAWINGS ARE THE PROPERTY OF QUALTEK ELECTRONICS AND NOT TO BE REPRODUCED FOR OR COMMUNICATED TO A THIRD PARTY WITHOUT THE EXPRESS WRITTEN PERMISSION OF AN OFFICER OF QUALTEK ELECTRONICS.

REVISION			
REV.	DESCRIPTION	DATE	APPROVED



NOTES:

- CABLE: UL 2835 STP CAT-5e 350MHz
24AWG*4PR+AE
OUTER JACKET: WHITE OD: 5.5 ± 0.2mm
- CONNECTOR: RJ45 8P8C
CONTACT PHOSPHOR BRONZE
GOLD PLATED G/F
SHELL NICKEL PLATED
- CONNECTOR: RJ45 8P8C
CONTACT PHOSPHOR BRONZE
GOLD PLATED G/F
SHELL NICKEL PLATED
- PVC MOLDED HOOD: COLOR WHITE
- ELECTRICAL TEST:
<1>.100% OPEN SHORT & MISS WIRE TEST
<2>.INSULATION RESISTANCE: DC300V 20M ohm MIN.
<3>.CONDUCTOR RESISTANCE: 2 ohm MAX.

CONTROLLED

Dim range (mm)		Tolerance +/- (mm)	Qualtek Electronics Corp. WCI DIVISION		
0-1		0.15	Part Number: 1221021-03 RoHS Compliant		
1-6		0.20	Description: 8P8C - 8P8C		
6-18		0.30	RFQ# 2505H	UNIT: mm	
18-50		0.50	Drawn / Date	Checked / Date	Approved / Date
50-120		0.70	R. Nuti	07-15-13	LY / 07-15-13
120-250		0.90			
250-500		1.20			