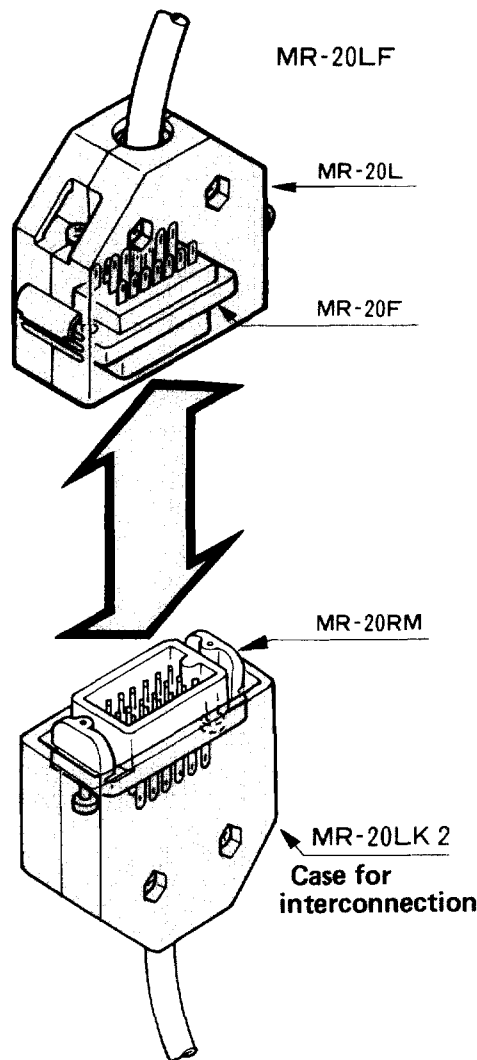


# WHEN CASES FOR INTERCONNECTION ARE USED

Example when MR-20LK2 is used



Case for interconnection

MR-8LK2
MR-16LK2
MR-20LK2
MR-25LK2
MR-34LK2
MR-50LK2

Connectors for case side

The following connectors can be used on the case

Soldering Type	Wrapping Type	Crimping type
MR-(8)RM MR-(8)RF	MR-(8)RMW MR-(8)RFW	MRP-(8)RM01 MRP-(8)RF01
MR-(16)RM MR-(16)RF	MR-(16)RMW MR-(16)RFW	MRP-(16)RM01 MRP-(16)RF01
MR-(20)RM MR-(20)RF	MR-(20)RMW MR-(20)RFW	MRP-(20)RM01 MRP-(20)RF01
MR-(25)RM MR-(25)RF	MR-(25)RMW MR-(25)RFW	MRP-(25)RM01 MRP-(25)RF01
MR-(34)RM MR-(34)RF	MR-(34)RMW MR-(34)RFW	MRP-(34)RM01 MRP-(34)RF01
MR-(50)RM MR-(50)RF	MR-(50)RMW MR-(50)RFW	MRP-(50)RM01 MRP-(50)RF01

Case side connector

Soldering Type	Wrapping Type	Crimping type
MR-(8)LM MR-(8)LF	MR-(8)LMW MR-(8)LFW	MRP-(8)LM01 MRP-(8)LF01
MR-(16)LM MR-(16)LF	MR-(16)LMW MR-(16)LFW	MRP-(16)LM01 MRP-(16)LF01
MR-(20)LM MR-(20)LF	MR-(20)LMW MR-(20)LFW	MRP-(20)LM01 MRP-(20)LF01
MR-(25)LM MR-(25)LF	MR-(25)LMW MR-(25)LFW	MRP-(25)LM01 MRP-(25)LF01
MR-(34)LM MR-(34)LF	MR-(34)LMW MR-(34)LFW	MRP-(34)LM01 MRP-(34)LF01
MR-(50)LM MR-(50)LF	MR-(50)LMW MR-(50)LFW	MRP-(50)LM01 MRP-(50)LF01

Note: When the ordinary case-side connector is a female connector, use a male connector on the case for interconnection side.