

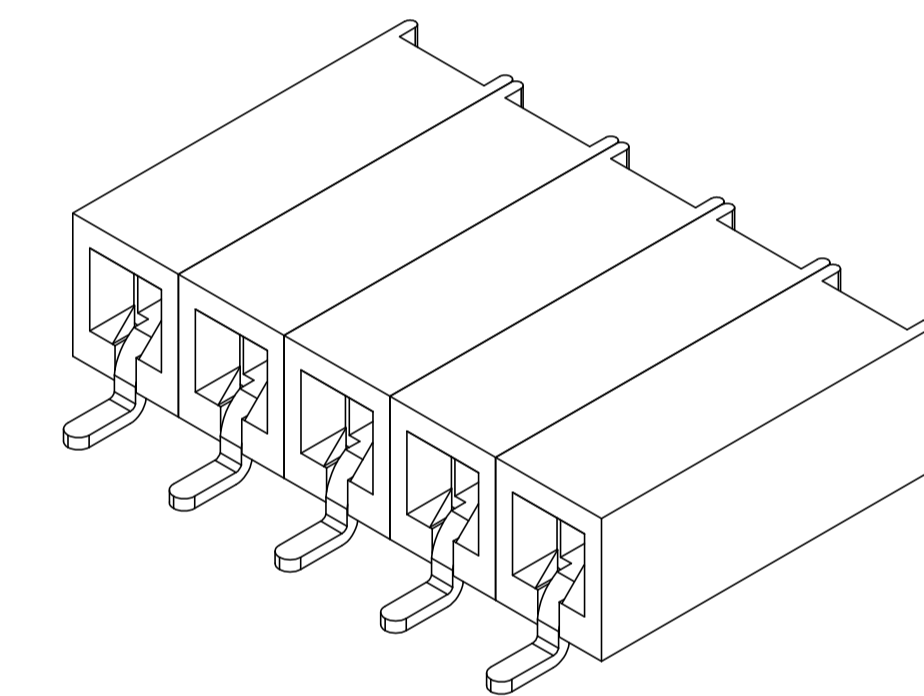
REVISIONS			
REV.	DESCRIPTION	DATE	APPROVED
A	Created Drawing	02/06/13	DC

Specifications:  
 Current Rating: 3.0 Ampere  
 Insulation Resistance: 1000M Ohms Min.  
 Dielectric Withstanding: 600V AC  
 Contact Resistance: 20m Ohms Max.  
 Operating Temperature: -40°C to +105°C

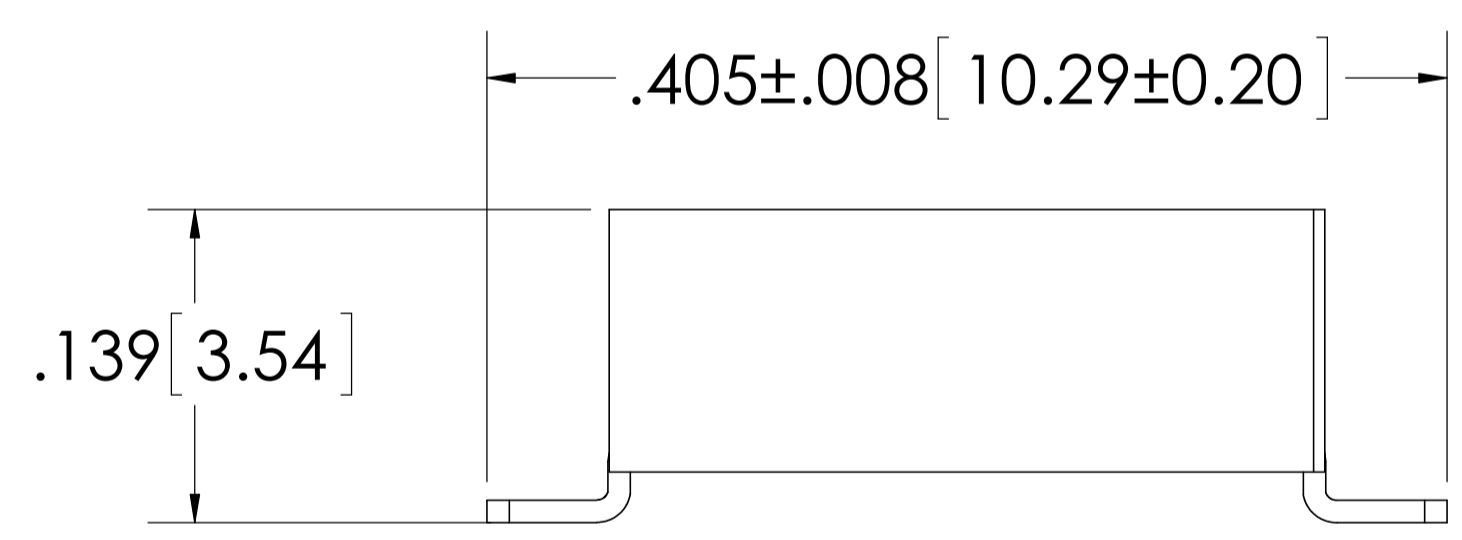
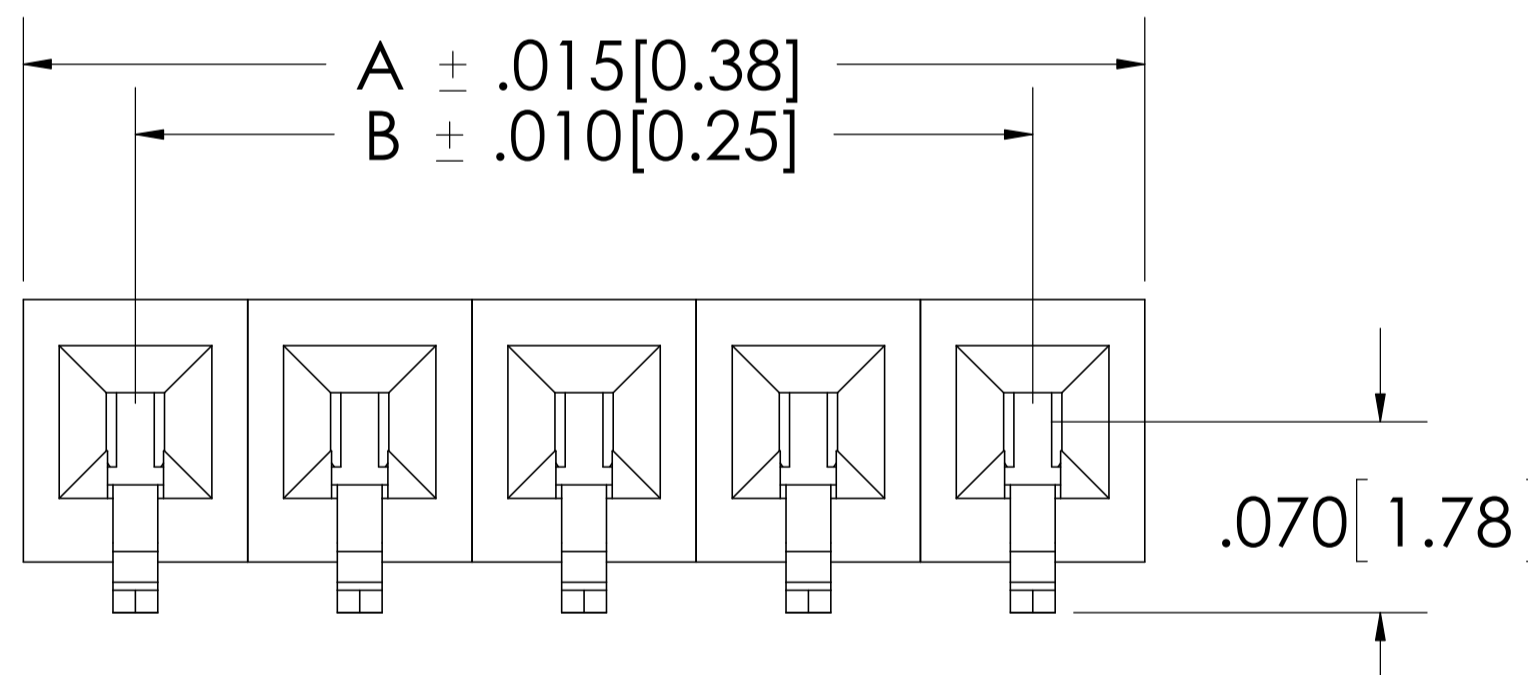
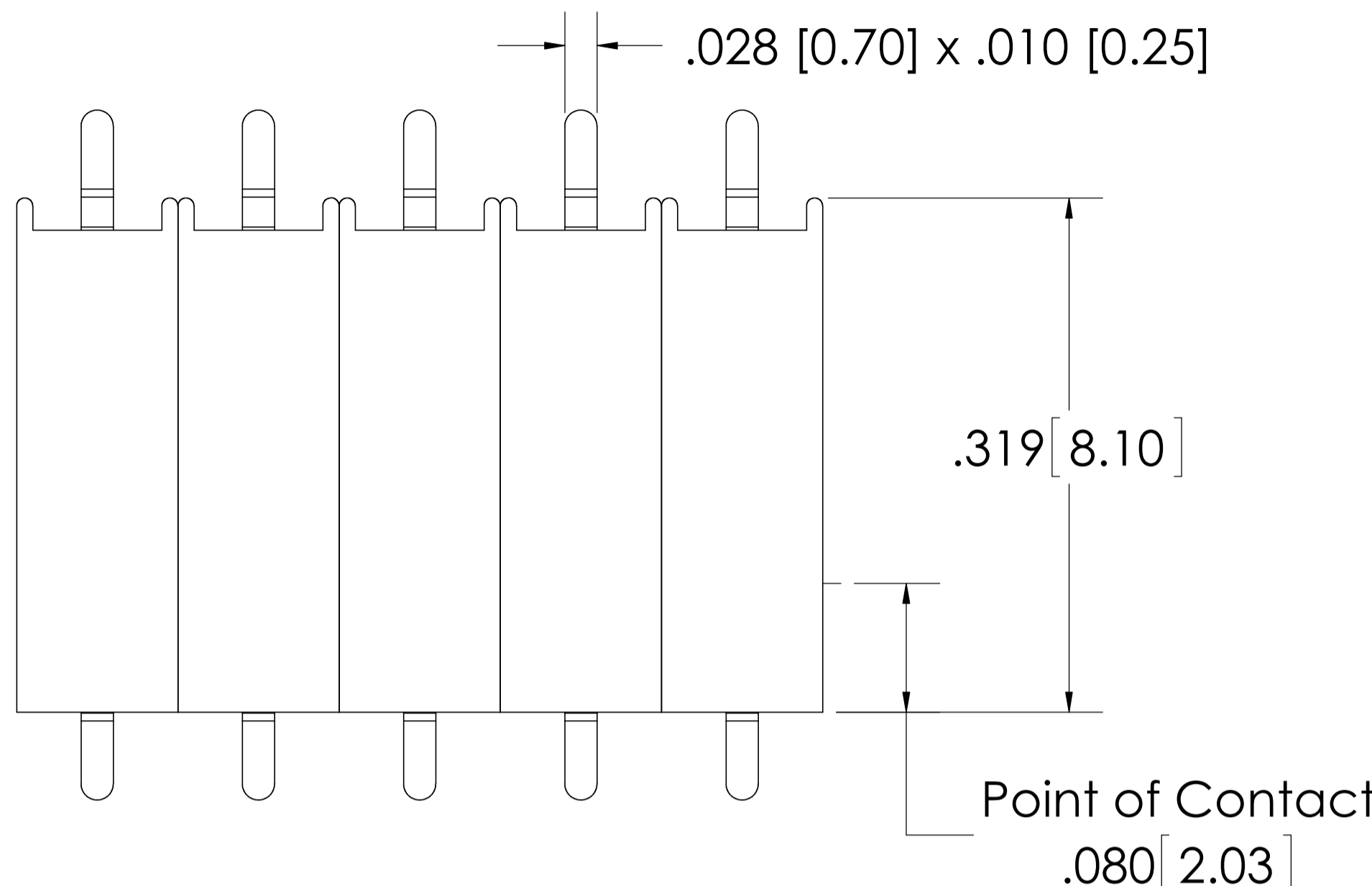
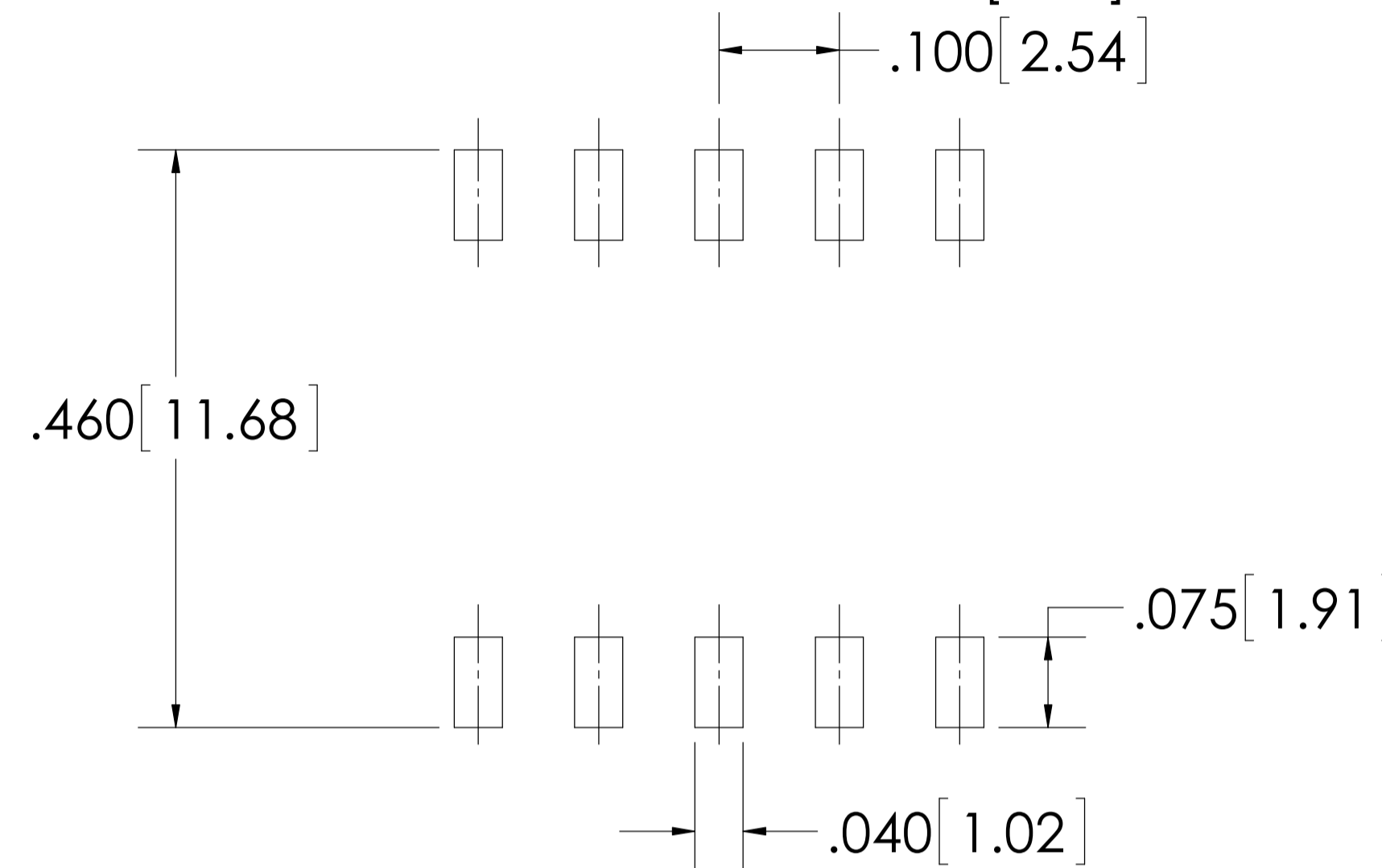
Materials:  
 Contact Material: Copper Alloy  
 Plating: Gold Flash over entire pin  
 Insulator Material: Thermoplastic, UL94V-0, PBT  
 Color: Natural

Max. Process Temperatures:  
 Peak: 260°C up to 20 secs.  
 Process: 230°C up to 60 secs.  
 Wave: 260°C up to 6 Secs.  
 Manual Solder: 350°C up to 5 secs.

All materials must meet Major League Electronics requirements for environmental protection.



RECOMMENDED PCB LAYOUT  
 General Tolerance  $\pm .002[0.05]$



CONTACTS	DIMENSIONS			
	A		B	
02	0.208	5.28	0.100	2.54
03	0.308	7.82	0.200	5.08
04	0.408	10.36	0.300	7.62
05	0.508	12.90	0.400	10.16
06	0.608	15.44	0.500	12.7
	Inches	MM	Inches	MM

BLSMBC-1 **XX** - **S** - **F** - **H** - **XX** - **LF**  
 Number of Pins Per Row: 02,03,04,05,06  
 Single Row  
 Contact Plating: F - Gold Flash Over All  
 Lead Free  
 Packaging: TR = Tape and Reel, TB = Tube  
 Horizontal Surface Mount

UNLESS OTHERWISE SPECIFIED:		DATE	NAME
DIMENSIONS ARE IN INCHES TOLERANCES: ONE PLACE DECIMAL $\pm .100$ TWO PLACE DECIMAL $\pm .010$ THREE PLACE DECIMAL $\pm .005$ FOUR PLACE DECIMAL $\pm .002$		DRAWN 02/06/13	GWE
INTERPRET GEOMETRIC TOLERANCING PER:		CHECKED 02/06/13	DRC
MATERIAL	--	ENG APPR.	
FINISH	--	MFG APPR.	
		Q.A.	
		COMMENTS:	



4235 Earnings Way  
 New Albany, IN 47150  
 Phone: 812-944-7244 Fax: 812-944-7268  
 e-Mail: mle@mllelectronics.com

TITLE: BLSMBC-1-SH		
SIZE <b>B</b>	DWG. NO. Q:ASSEM/BL/BLSMBC-1-SH	REV <b>A</b>
SCALE: 8:1	WEIGHT:	SHEET 1 OF 1

PROPRIETARY AND CONFIDENTIAL  
 THE INFORMATION CONTAINED IN THIS DRAWING IS THE SOLE PROPERTY OF MAJOR LEAGUE ELECTRONICS. ANY REPRODUCTION IN PART OR AS A WHOLE WITHOUT THE WRITTEN PERMISSION OF MAJOR LEAGUE ELECTRONICS IS PROHIBITED.

