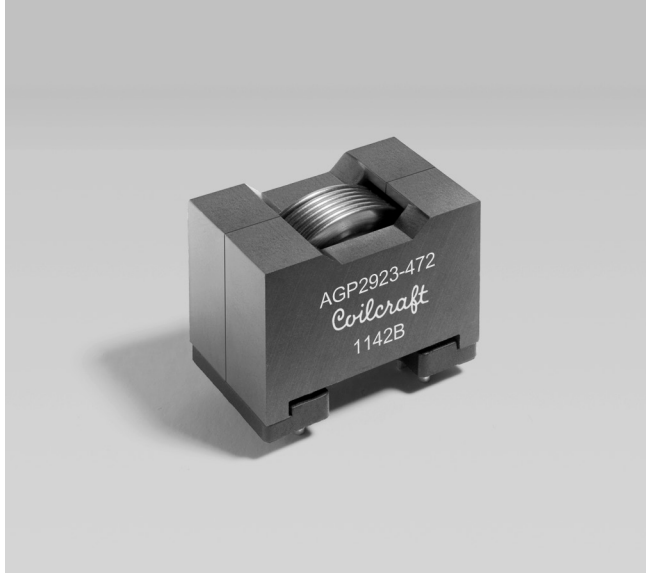


HIGH TEMPERATURE

Power Inductors – AGP2923



- AEC-200 Grade 1 qualified
- Ideal for a variety of automotive applications
- Designed for high temperature environments – up to 140°C ambient
- Developed for high current power supply applications with high saturation current requirements
- Four mounting pins for additional stability in high-vibration environments
- Flat wire windings for extremely low DC and AC resistance
- Vertical mounting provides a small footprint

Part number	Inductance ¹ ±10% (μH)	DCR (mOhms) ²		SRF typ ³ (MHz)	Isat (A) ⁴			Irms (A) ⁵	
		nom	max		10% drop	20% drop	30% drop	20°C rise	40°C rise
AGP2923-332KL	3.3	2.3	2.6	40	95	104	108	19	26
AGP2923-472KL	4.7	2.3	2.6	30	63	69	72	19	26
AGP2923-682KL	6.8	2.3	2.6	25	48	53	56	19	26
AGP2923-103KL	10	2.3	2.6	20	30	34	37	19	26
AGP2923-153KL	15	2.3	2.6	16	20.5	23	24.5	19	26
AGP2923-223KL	22	2.3	2.6	13	12.2	14.7	16.4	19	26
AGP2923-333KL	33	2.3	2.6	10	7.5	9.2	10.3	19	26

1. Inductance tested at 300 kHz, 0.1 Vrms on Agilent/HP 4192A.
 2. DCR measured on a Keithley 580 micro-ohmmeter or equivalent.
 3. SRF measured on an Agilent/HP 4395A network analyzer and an Agilent/HP 16093B test fixture.
 4. DC current at which the inductance drops the specified amount from its value without current.
 5. Current that causes the specified temperature rise from 25°C ambient. When Irms is greater than Isat, Isat is the more critical specification and Irms is shown in gray type.
 6. Electrical specifications at 25°C.
- Refer to Doc 362 "Soldering Surface Mount Components" before soldering.

Core material Ferrite**Terminations****Electrical terminations:** RoHS compliant tin-silver over copper**Mounting pins:** Matte tin over copper over steel**Weight** 37 g**Ambient temperature** –40°C to +140°C with Irms current, +140°C to +180°C with derated current**Storage temperature** Component: –40°C to +180°C.

Tray packaging: –40°C to +80°C

Moisture Sensitivity Level (MSL) 1 (unlimited floor life at <30°C / 85% relative humidity)**Failures in Time (FIT) / Mean Time Between Failures (MTBF)**

38 per billion hours / 26,315,789 hours, calculated per Telcordia SR-332

Packaging 25 parts per tray**PCB washing** Only pure water or alcohol recommended

www.coilcraft.com

US +1-847-639-6400 sales@coilcraft.com
UK +44-1236-730595 sales@coilcraft-europe.com
Taiwan +886-2-2264 3646 sales@coilcraft.com.tw
China +86-21-6218 8074 sales@coilcraft.com.cn
Singapore + 65-6484 8412 sales@coilcraft.com.sg

Document 932-1 Revised 09/28/11

© Coilcraft Inc. 2012

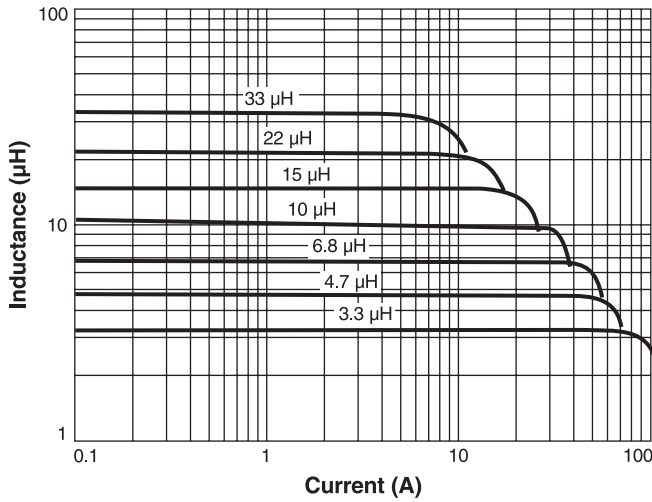
This product may not be used in medical or high risk applications without prior Coilcraft approval. Specification subject to change without notice. Please check out web site for latest information.

HIGH TEMPERATURE

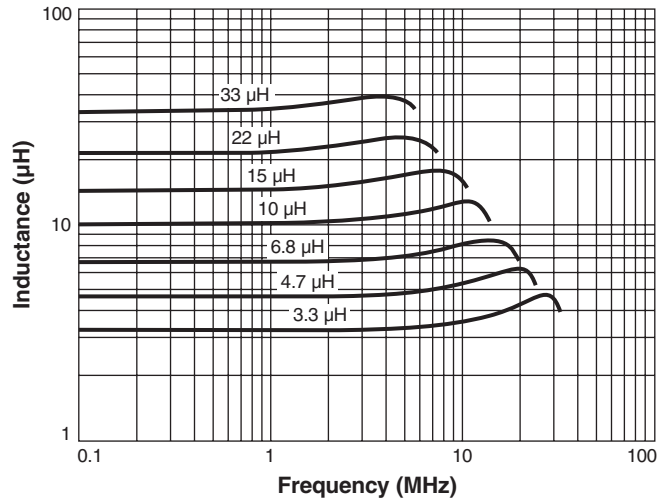


Power Inductors – AGP2923 Series

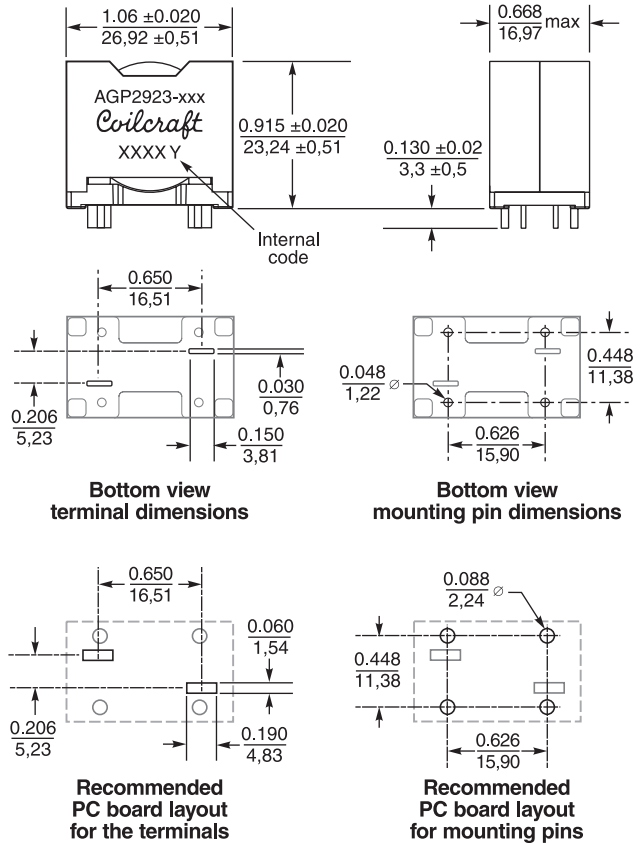
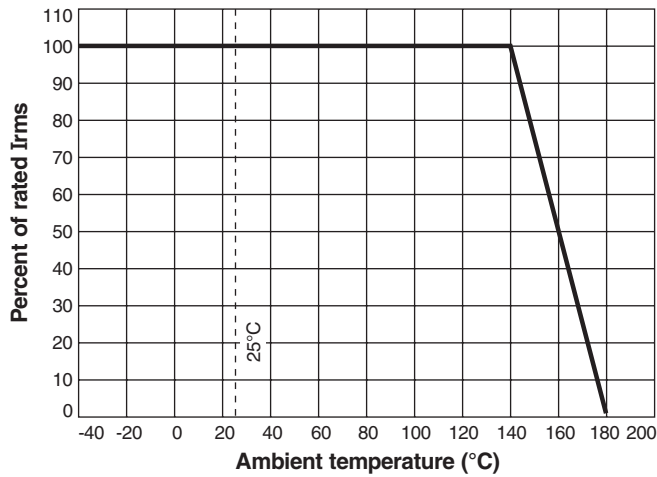
L vs Current



L vs Frequency



Irms Derating



Dimensions are in $\frac{\text{inches}}{\text{mm}}$



US +1-847-639-6400 sales@coilcraft.com
UK +44-1236-730595 sales@coilcraft-europe.com
Taiwan +886-2-2264 3646 sales@coilcraft.com.tw
China +86-21-6218 8074 sales@coilcraft.com.cn
Singapore + 65-6484 8412 sales@coilcraft.com.sg

Document 932-2 Revised 09/28/11

© Coilcraft Inc. 2012
 This product may not be used in medical or high risk applications without prior Coilcraft approval. Specification subject to change without notice. Please check out web site for latest information.

Mouser Electronics

Authorized Distributor

Click to View Pricing, Inventory, Delivery & Lifecycle Information:

Coilcraft:

[AGP2923-333KL](#) [AGP2923-332KL](#) [AGP2923-153KL](#) [AGP2923-472KL](#) [AGP2923-223KL](#) [AGP2923-103KL](#)
[AGP2923-682KL](#)