



Micro Commercial Components

Micro Commercial Components
 20736 Marilla Street Chatsworth
 CA 91311
 Phone: (818) 701-4933
 Fax: (818) 701-4939

MMSS8050

Features

- SOT-23 Plastic-Encapsulate Transistors
- Capable of 0.625Watts($T_{amb}=25^{\circ}C$) of Power Dissipation.
- Collector-current 1.5A
- Collector-base Voltage 40V
- Operating and storage junction temperature range: $-55^{\circ}C$ to $+150^{\circ}C$
- Marking : Y1
- Case Material: Molded Plastic. UL Flammability Classification Rating 94V-0

NPN Silicon Plastic-Encapsulate Transistor

Electrical Characteristics @ $25^{\circ}C$ Unless Otherwise Specified

Symbol	Parameter	Min	Max	Units
OFF CHARACTERISTICS				
$V_{(BR)CBO}$	Collector-Base Breakdown Voltage ($I_C=100\mu A$, $I_E=0$)	40	---	Vdc
$V_{(BR)CEO}$	Collector-Emitter Breakdown Voltage ($I_C=0.1mA$, $I_B=0$)	25	---	Vdc
$V_{(BR)EBO}$	Emitter-Base Breakdown Voltage ($I_E=100\mu A$, $I_C=0$)	5.0	---	Vdc
I_{CBO}	Collector Cutoff Current ($V_{CB}=40Vdc$, $I_E=0$)	---	0.1	μA
I_{EO}	Collector Cutoff Current ($V_{CE}=20Vdc$, $I_B=0$)	---	0.1	μA
I_{EBO}	Emitter Cutoff Current ($V_{EB}=5.0Vdc$, $I_C=0$)	---	0.1	μA

ON CHARACTERISTICS

$h_{FE(1)}$	DC Current Gain ($I_C=100mA$, $V_{CE}=1.0Vdc$)	120	350	---
$h_{FE(2)}$	DC Current Gain ($I_C=800mA$, $V_{CE}=1.0Vdc$)	40	---	---
$V_{CE(sat)}$	Collector-Emitter Saturation Voltage ($I_C=800mA$, $I_B=80mA$)	---	0.5	Vdc
$V_{BE(sat)}$	Base-Emitter Saturation Voltage ($I_C=800mA$, $I_B=80mA$)	---	1.2	Vdc
V_{EB}	Base- Emitter Voltage ($I_E=1.5A$)	---	1.6	Vdc

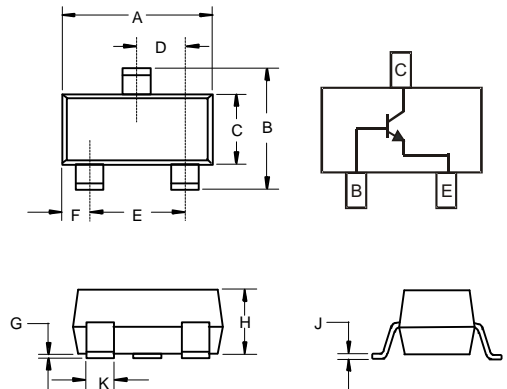
SMALL-SIGNAL CHARACTERISTICS

f_T	Transistor Frequency ($I_C=50mA$, $V_{CE}=10Vdc$, $f=30MHz$)	100	---	MHz
-------	---	-----	-----	-----

CLASSIFICATION OF $h_{FE(1)}$

Rank	L	H
Range	120-200	200-350

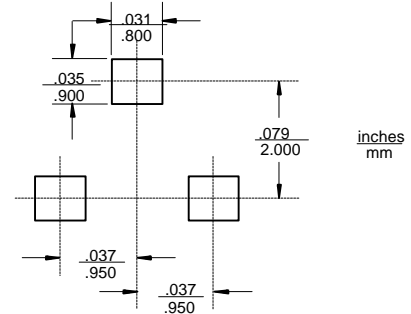
SOT-23



DIMENSIONS

DIM	INCHES		MM		NOTE
	MIN	MAX	MIN	MAX	
A	.110	.120	2.80	3.04	
B	.083	.098	2.10	2.64	
C	.047	.055	1.20	1.40	
D	.035	.041	.89	1.03	
E	.070	.081	1.78	2.05	
F	.018	.024	.45	.60	
G	.0005	.0039	.013	.100	
H	.035	.044	.89	1.12	
J	.003	.007	.085	.180	
K	.015	.020	.37	.51	

Suggested Solder Pad Layout





TM

Micro Commercial Components

*****IMPORTANT NOTICE*****

Micro Commercial Components Corp. reserves the right to make changes without further notice to any product herein to make corrections, modifications, enhancements, improvements, or other changes. *Micro Commercial Components Corp.* does not assume any liability arising out of the application or use of any product described herein; neither does it convey any license under its patent rights, nor the rights of others. The user of products in such applications shall assume all risks of such use and will agree to hold *Micro Commercial Components Corp.* and all the companies whose products are represented on our website, harmless against all damages.

*****APPLICATIONS DISCLAIMER*****

Products offer by *Micro Commercial Components Corp.* are not intended for use in Medical, Aerospace or Military Applications.

www.mccsemi.com