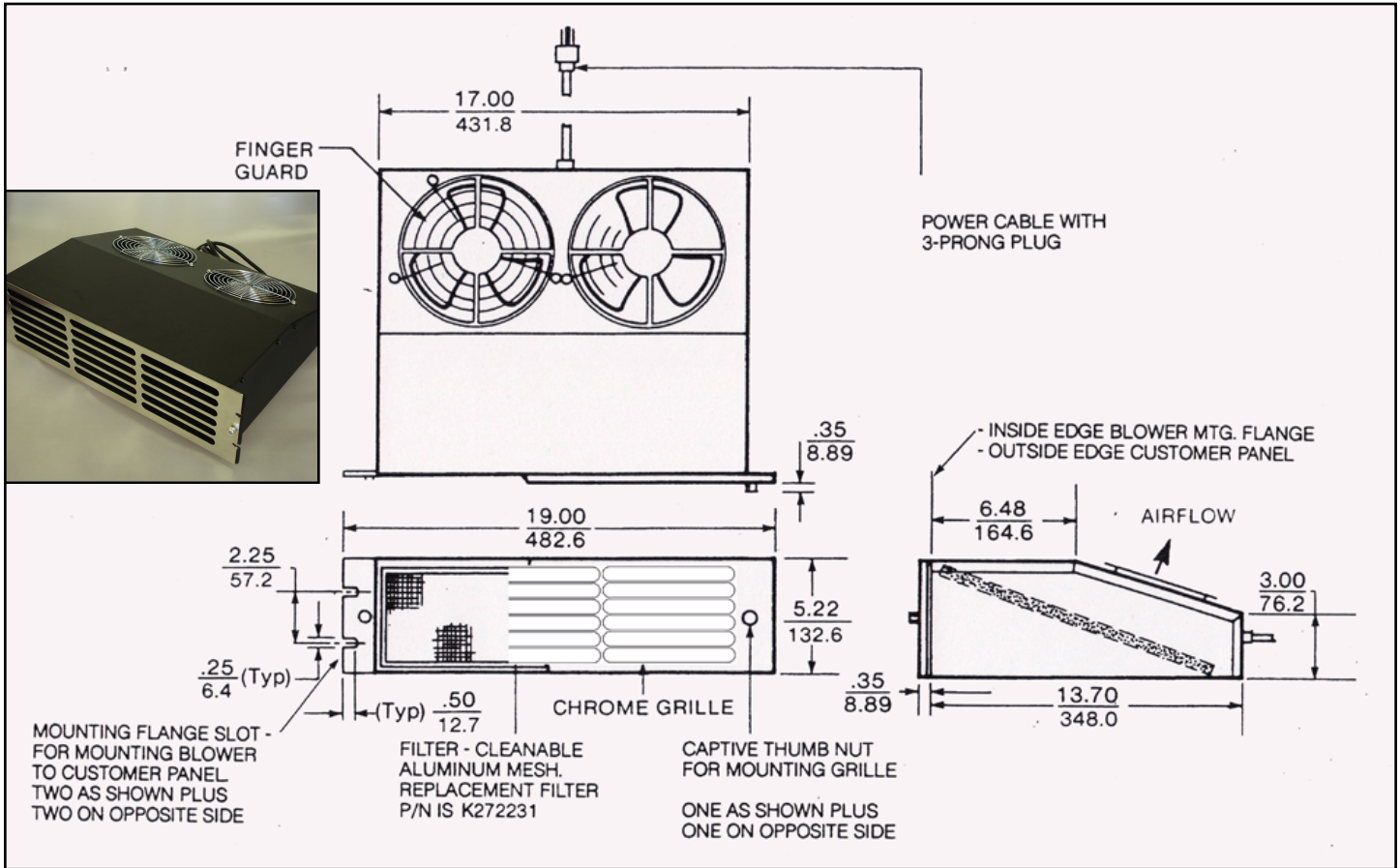


OMB5200-120



FanTray - Blower Assembly



| | |
|------------------------|-------------------------------|
| Part Number | OMB5200-120 |
| No. of Fans | 2 |
| Bearing System | Dual Ball Bearing |
| Nominal Voltage (60Hz) | 115 VDC |
| Input Power | 70 Watts |
| Rated Speed (RPM) | 3500 |
| Airflow (CFM) | 340 |
| Noise Level (dB) | 57 |
| Life Expectancy | 6 years continuous duty @ 25C |
| Standard | Fits EIA 19" Rack Cabinets |